

[54] **CHAISE LONGUE**

[75] **Inventor: Moses R. Schultz, Barto, Pa.**

[73] **Assignee: Knoll International, Inc., New York, N.Y.**

[**] **Term: 14 Years**

[21] **Appl. No.: 510,872**

[22] **Filed: Jul. 5, 1983**

[52] **U.S. Cl. D6/361**

[58] **Field of Search D6/334, 361, 370, 371, D6/372**

[56] **References Cited**

U.S. PATENT DOCUMENTS

| | | | | |
|------------|--------|----------|-------|----------|
| D. 211,337 | 6/1968 | Schultz | | D6/361 |
| D. 211,338 | 6/1968 | Schultz | | D6/361 |
| D. 226,061 | 1/1973 | Kellman | | D6/361 |
| D. 227,204 | 6/1973 | Grierson | | D6/361 |
| 4,066,293 | 1/1978 | Meier | | D6/361 X |

OTHER PUBLICATIONS

Interiors, May 1982, p. 106, Chaise top left by Brown Jordan.

Primary Examiner—Bruce W. Dunkins
Attorney, Agent, or Firm—Thomas A. O'Rourke

[57] **CLAIM**

The ornamental design for chaise longue, as shown and described.

DESCRIPTION

FIG. 1 is a perspective view from the front and side and looking downwardly of a chaise longue embodying my design.

FIG. 2 is a perspective view from the rear and side and looking downwardly of the contour chaise longue of FIG. 1.

FIG. 3 is a side perspective view taken slightly from the front.

FIG. 4 is a side perspective view taken slightly from the rear.

FIG. 5 is a front view, slightly in perspective, of the chaise longue of FIG. 1.

FIG. 6 is a rear view, slightly in perspective, of the contour chaise longue of FIG. 1.

FIG. 7 is a top view of the chaise longue of FIG. 1.

FIG. 8 is a bottom view of the chaise longue of FIG. 1.

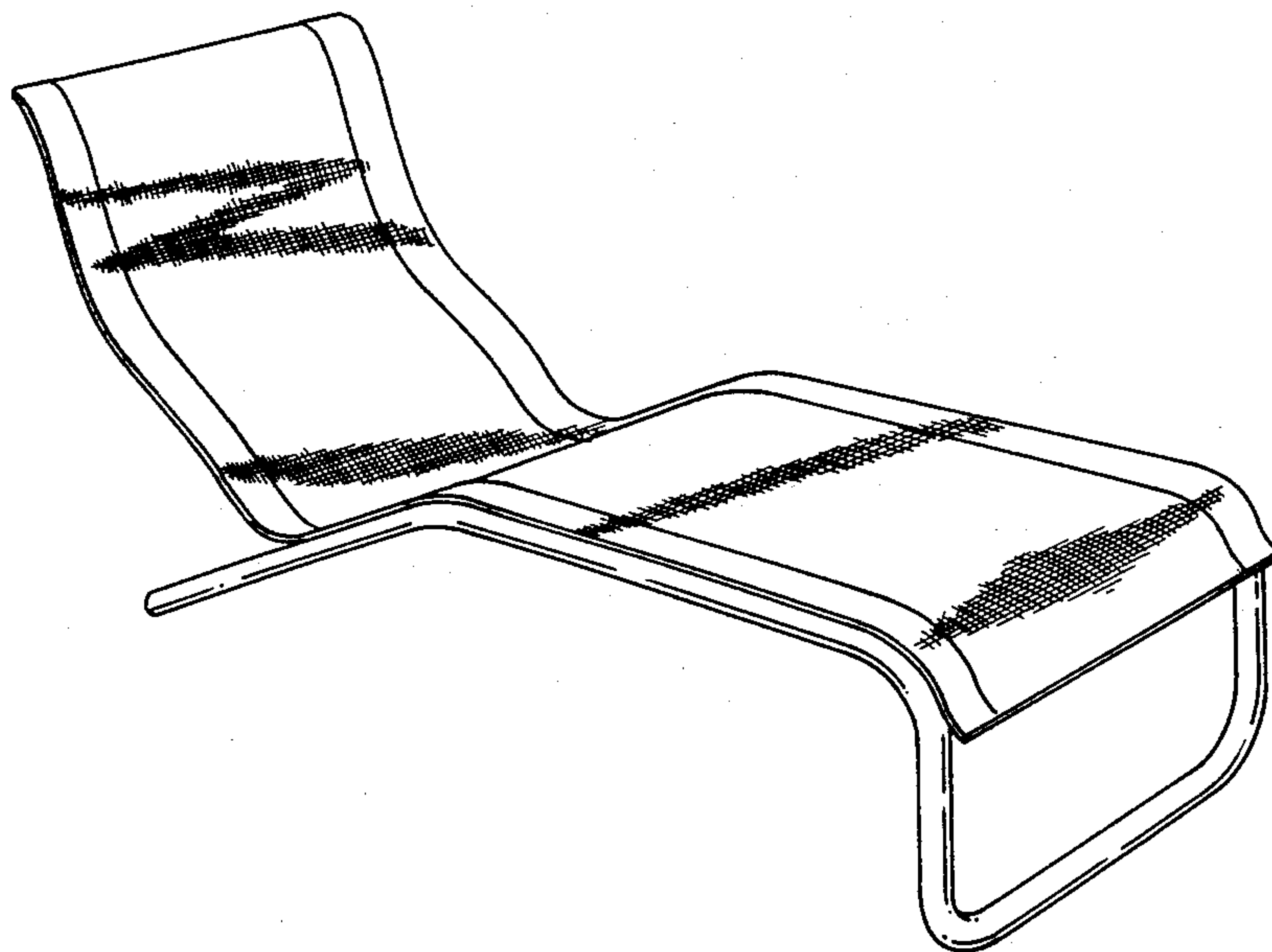


FIG. 1.

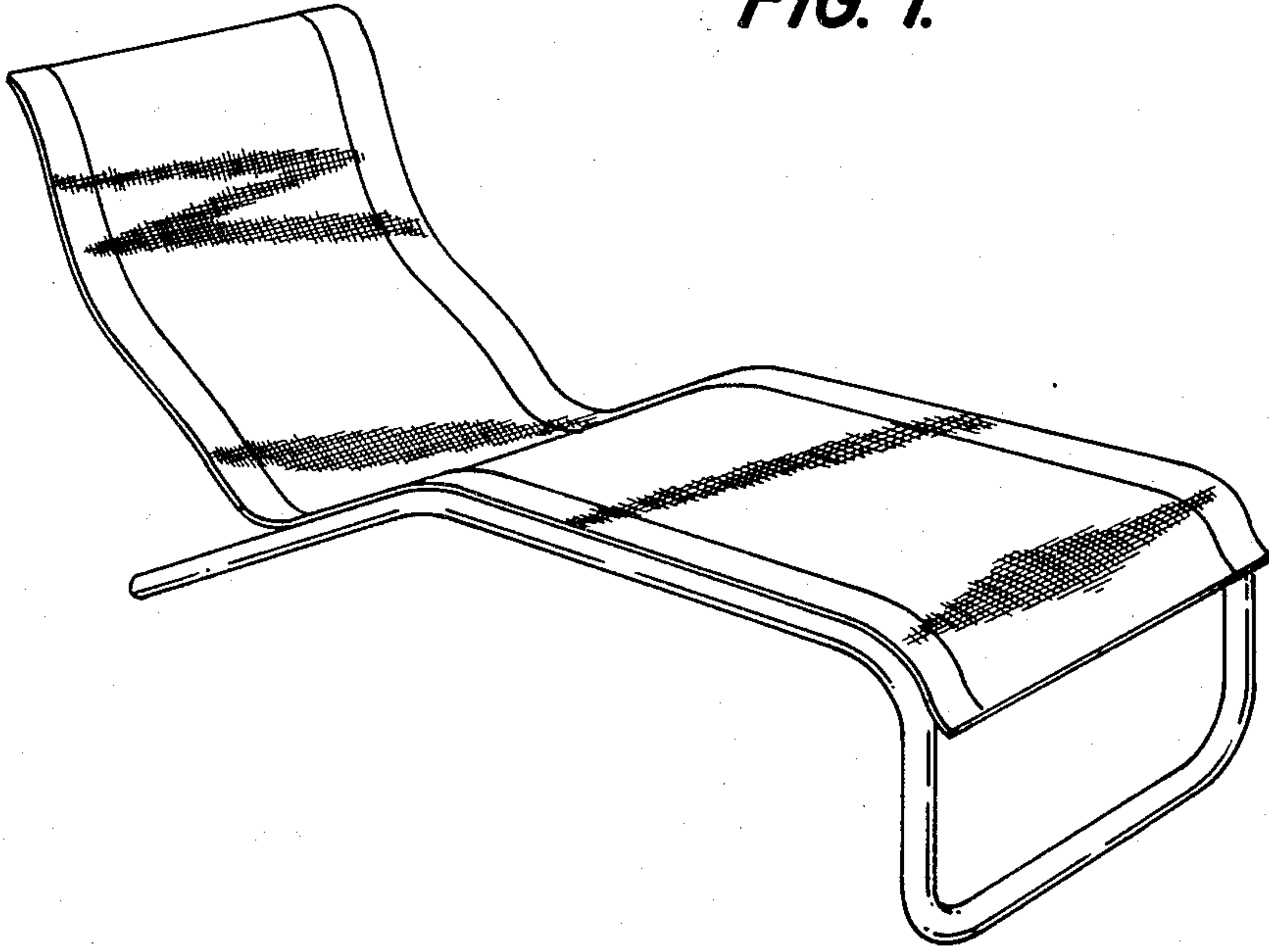


FIG. 2.

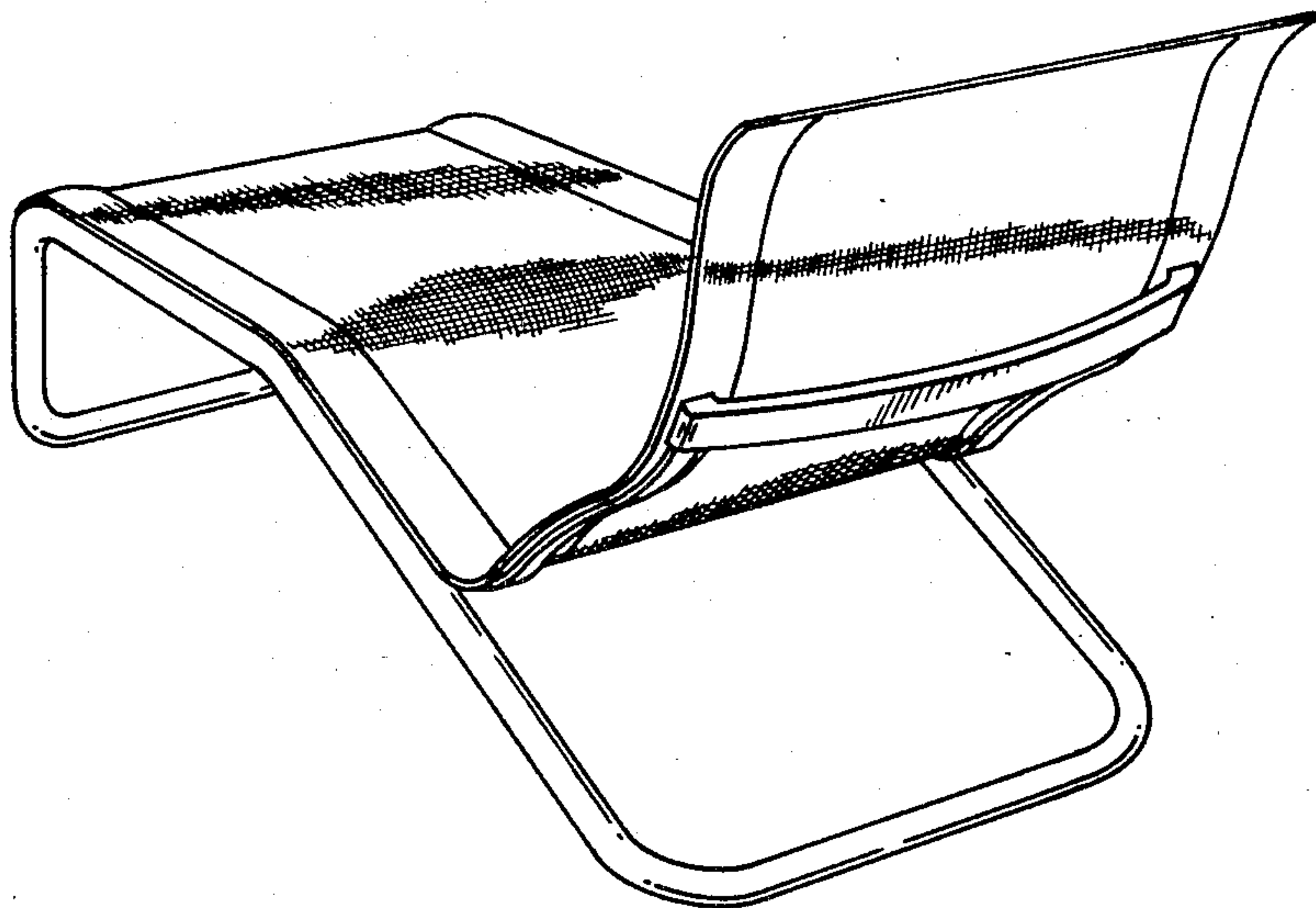


FIG. 3

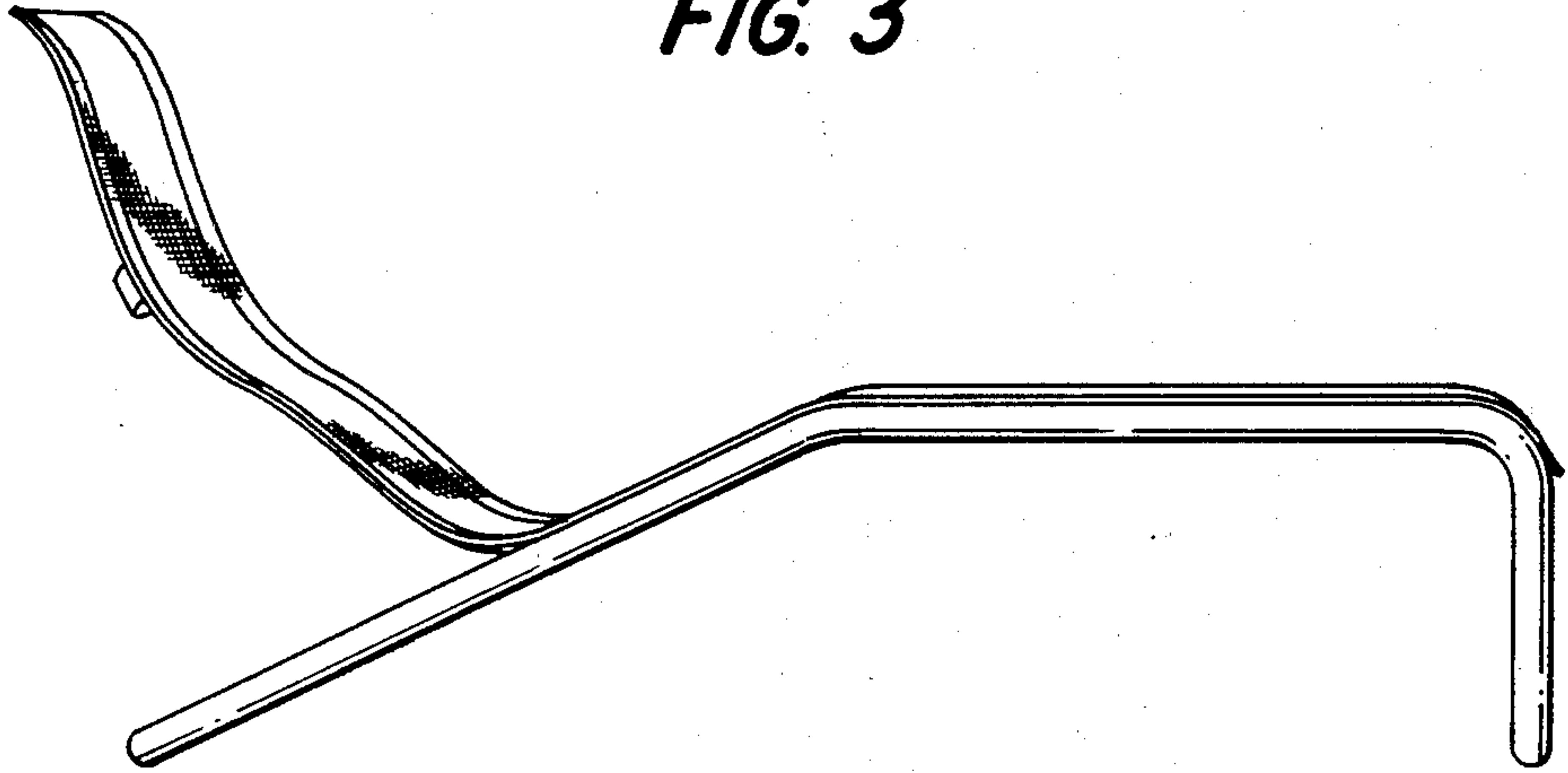


FIG. 4.

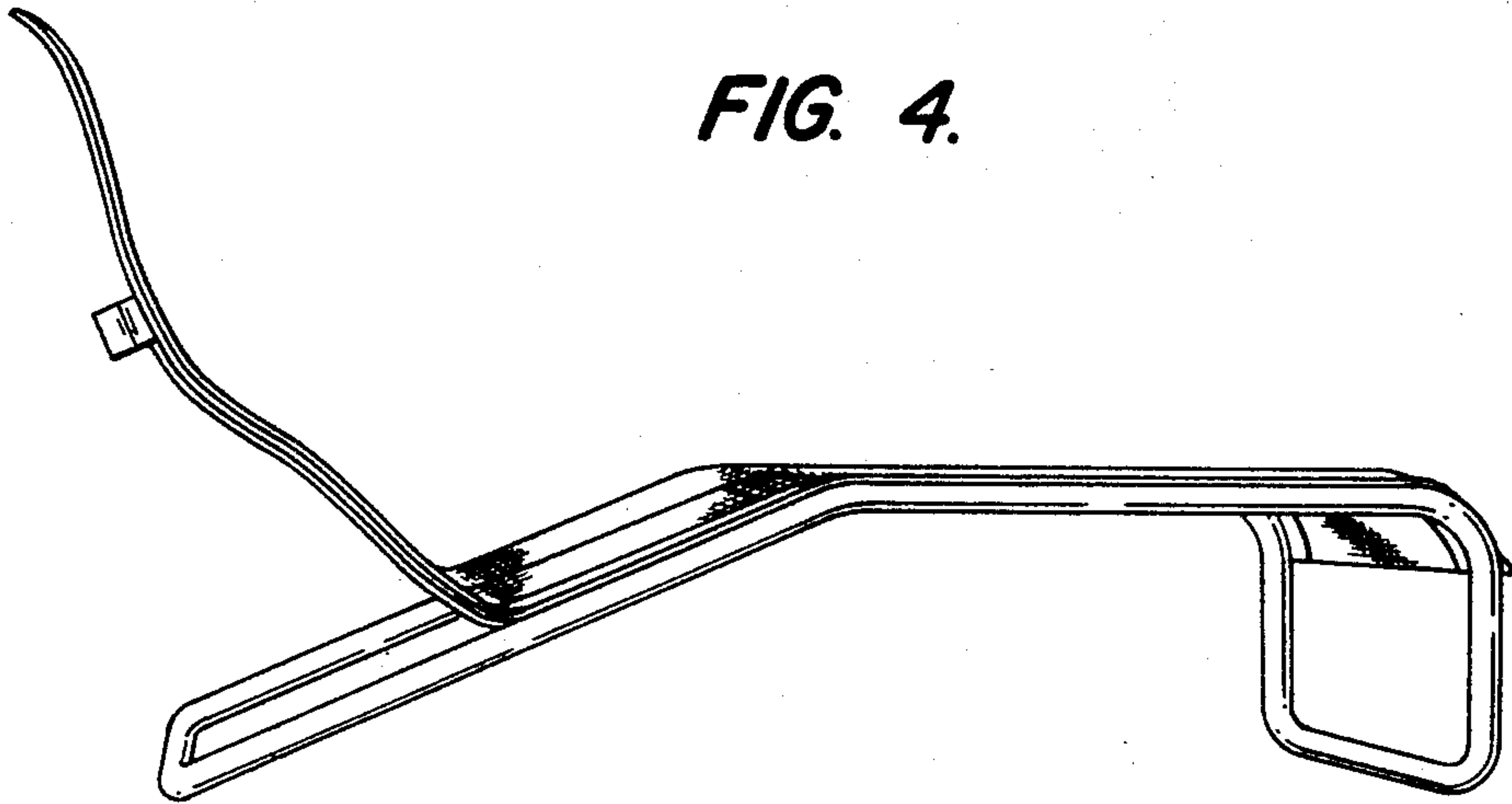


FIG. 5.

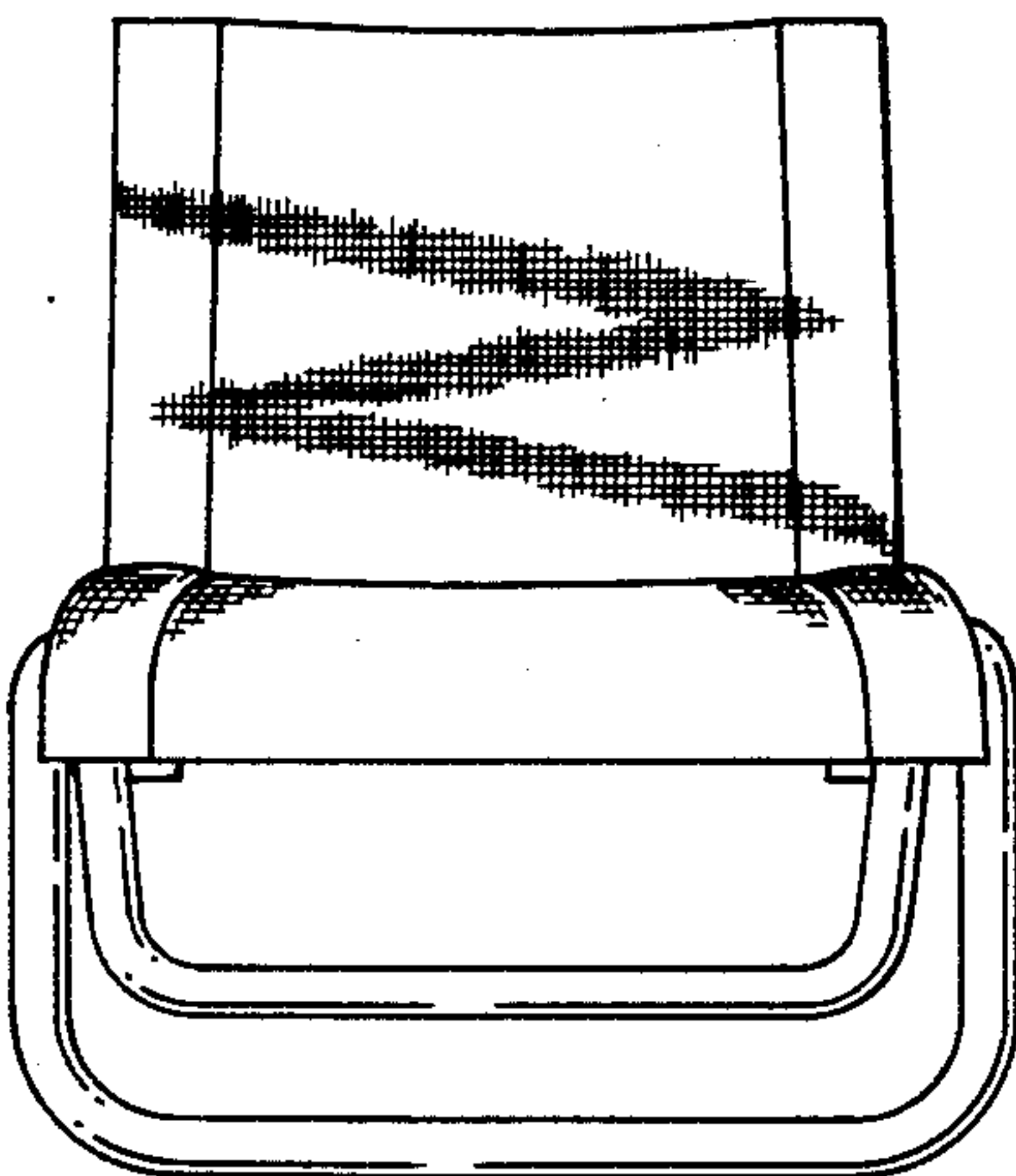


FIG. 6.

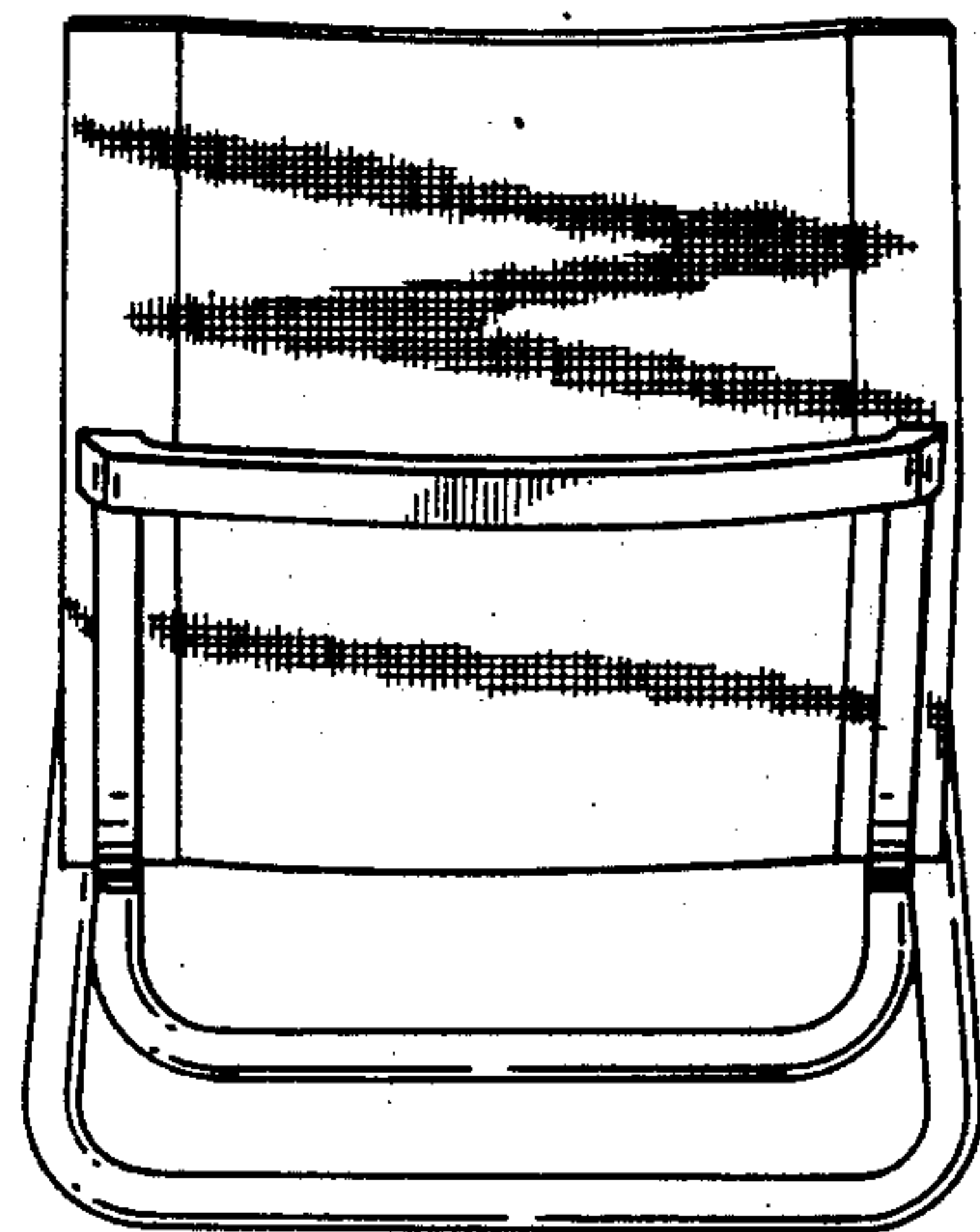


FIG. 7.

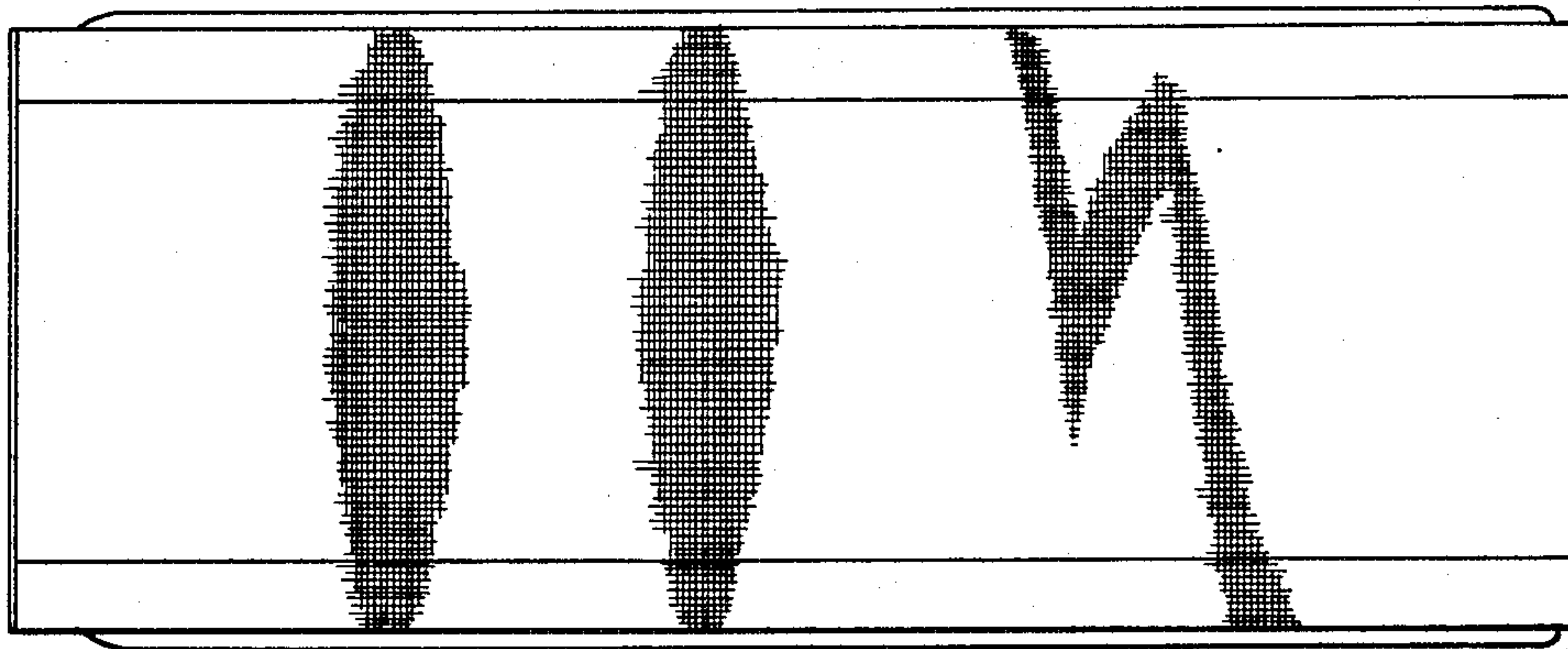


FIG. 8.

