

[54] CORDLESS SHOE POLISHER

[75] Inventor: Don R. McCloskey, Trappe, Md.

[73] Assignee: Black & Decker, Inc., Newark, Del.

[**] Term: 14 Years

[21] Appl. No.: 595,613

[22] Filed: Apr. 2, 1984

[52] U.S. Cl. D4/102

[58] Field of Search D4/100, 102; 15/28, 15/29

[56] References Cited

U.S. PATENT DOCUMENTS

D. 196,227	9/1963	Polatchek	D4/102
D. 199,115	9/1964	Wedemeyer	D4/102
D. 200,293	2/1965	Polatchek	D4/102
D. 281,035	10/1985	Herzfeld	D4/102
2,778,043	1/1957	Arf	15/28
2,934,775	5/1960	Bergstrom	15/28 X
3,162,876	12/1964	Aronson et al.	15/28
3,251,086	5/1966	Springer	15/28
3,289,231	12/1966	Munton et al.	15/28
3,378,869	4/1968	Schwartz	15/28 X
4,512,053	4/1985	Horak et al.	15/28

FOREIGN PATENT DOCUMENTS

3110218 12/1982 Fed. Rep. of Germany 15/28

OTHER PUBLICATIONS

1983 brochure depicting a Presto tm Electric Shoe Polisher.

Mar. 7, 1984 brochure depicting Norelco ® SP 35 Electric Shoe Polisher.

Primary Examiner—Catherine E. Kemper

Attorney, Agent, or Firm—Finnegan, Henderson, Farabow, Garrett & Dunner

[57] CLAIM

The ornamental design for an cordless shoe polisher, as shown and described.

DESCRIPTION

FIG. 1 is an end view of a cordless shoe polisher showing my new design;

FIG. 2 is an end view thereof;

FIG. 3 is a top plan view thereof;

FIG. 4 is a bottom plan view thereof;

FIG. 5 is a right side view thereof;

FIG. 6 is a left side view thereof; and

FIG. 7 is a perspective view thereof.

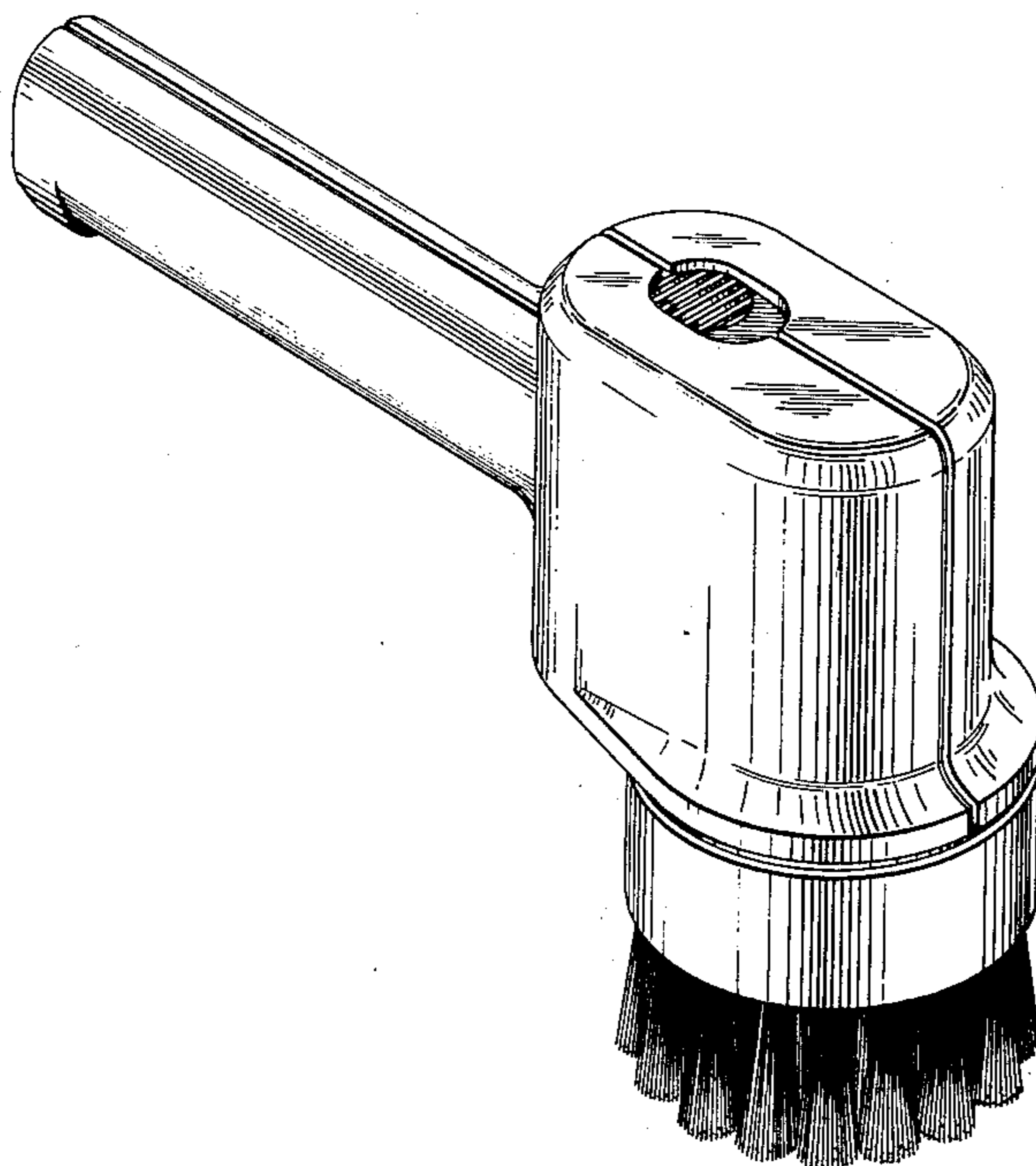


FIG. 1

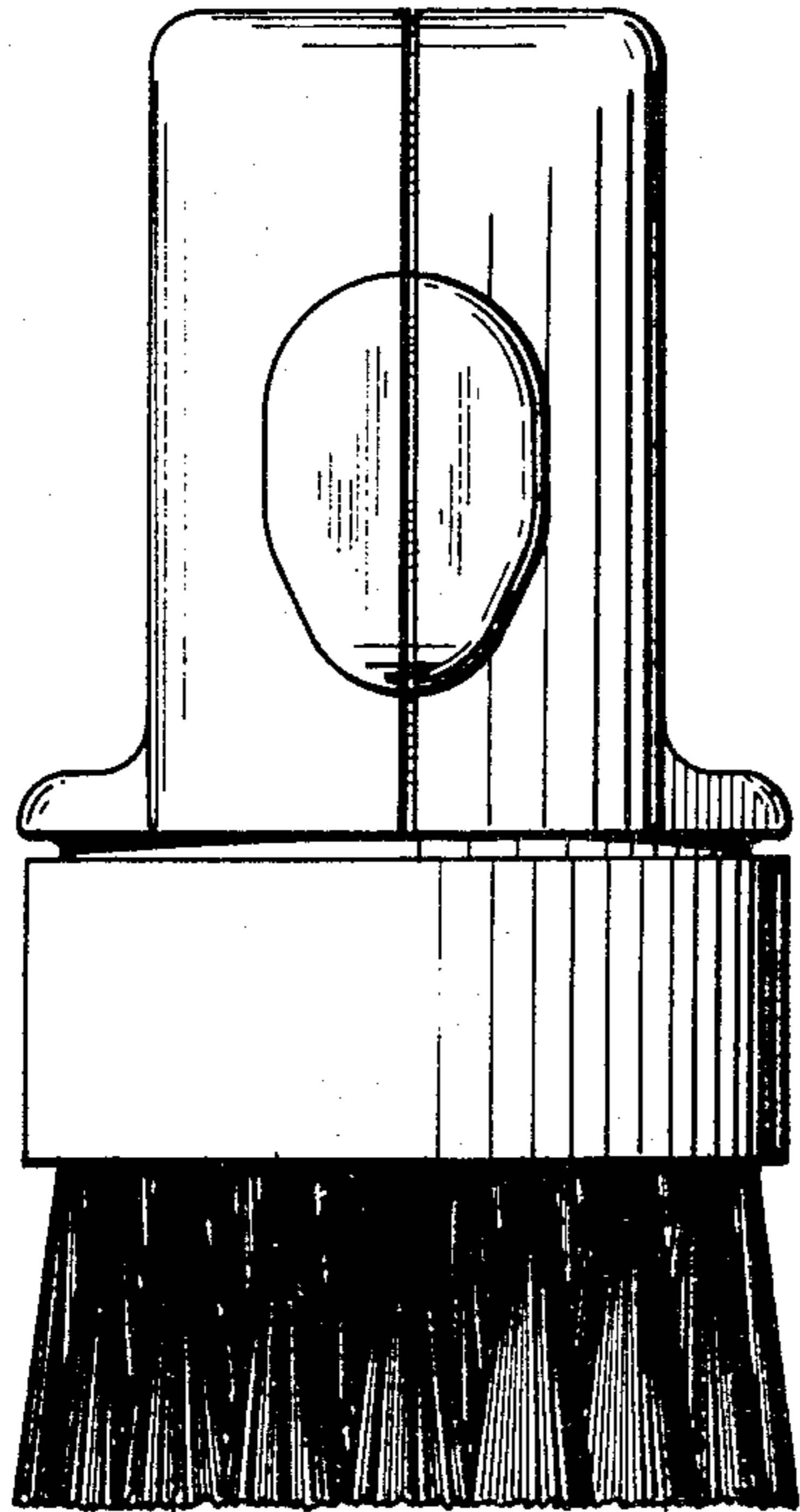
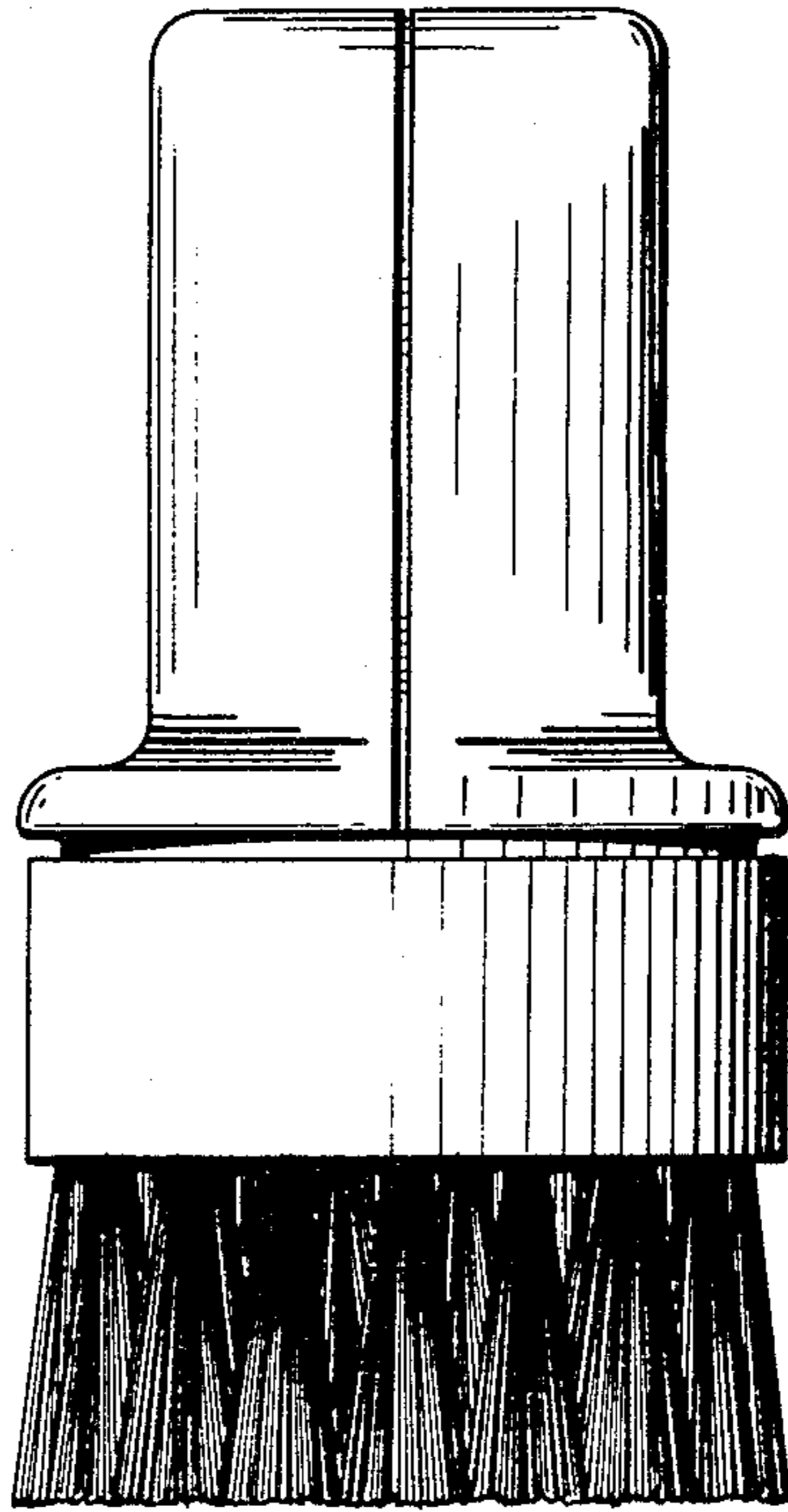


FIG. 2

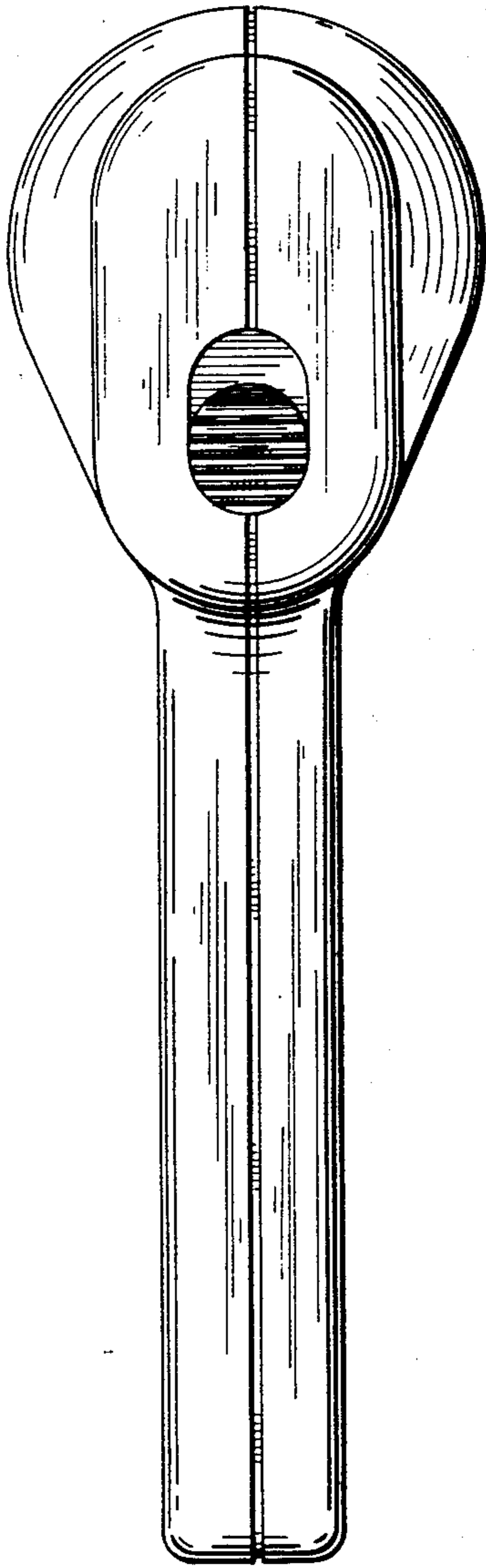


Fig. 3

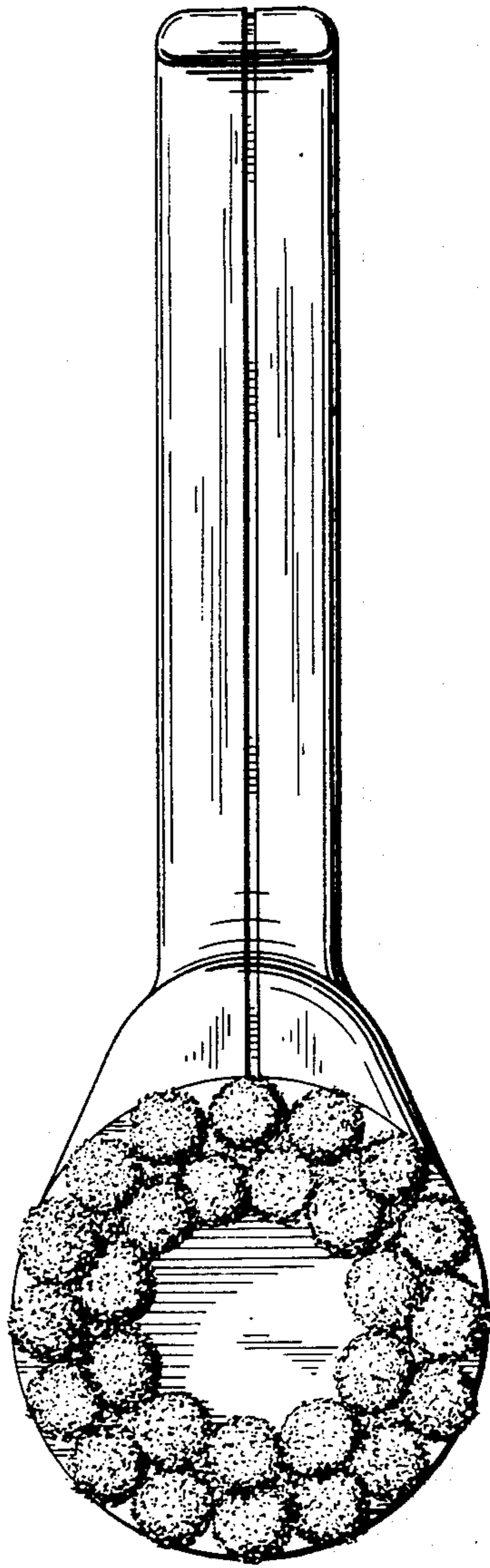


Fig. 4

FIG. 5

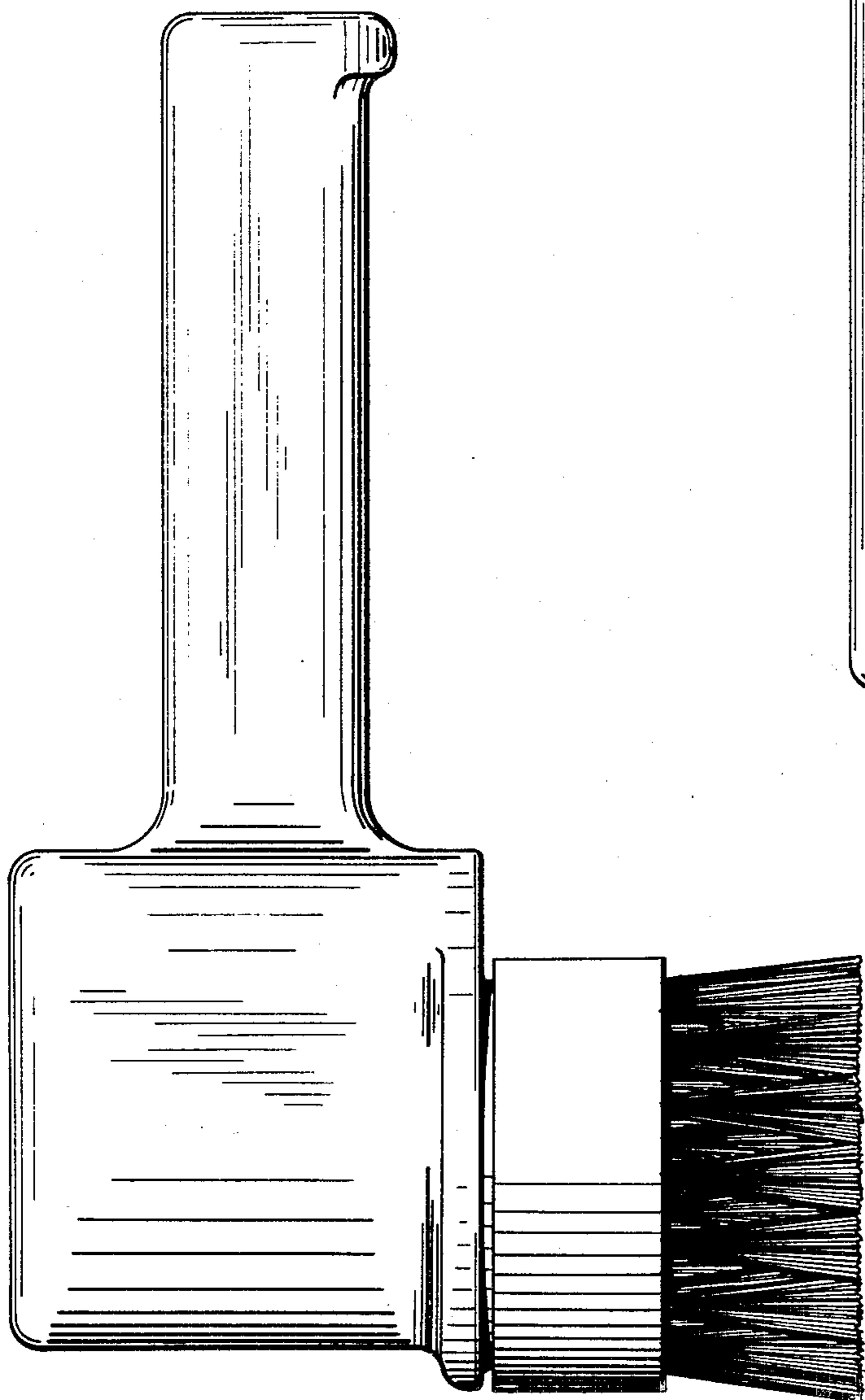
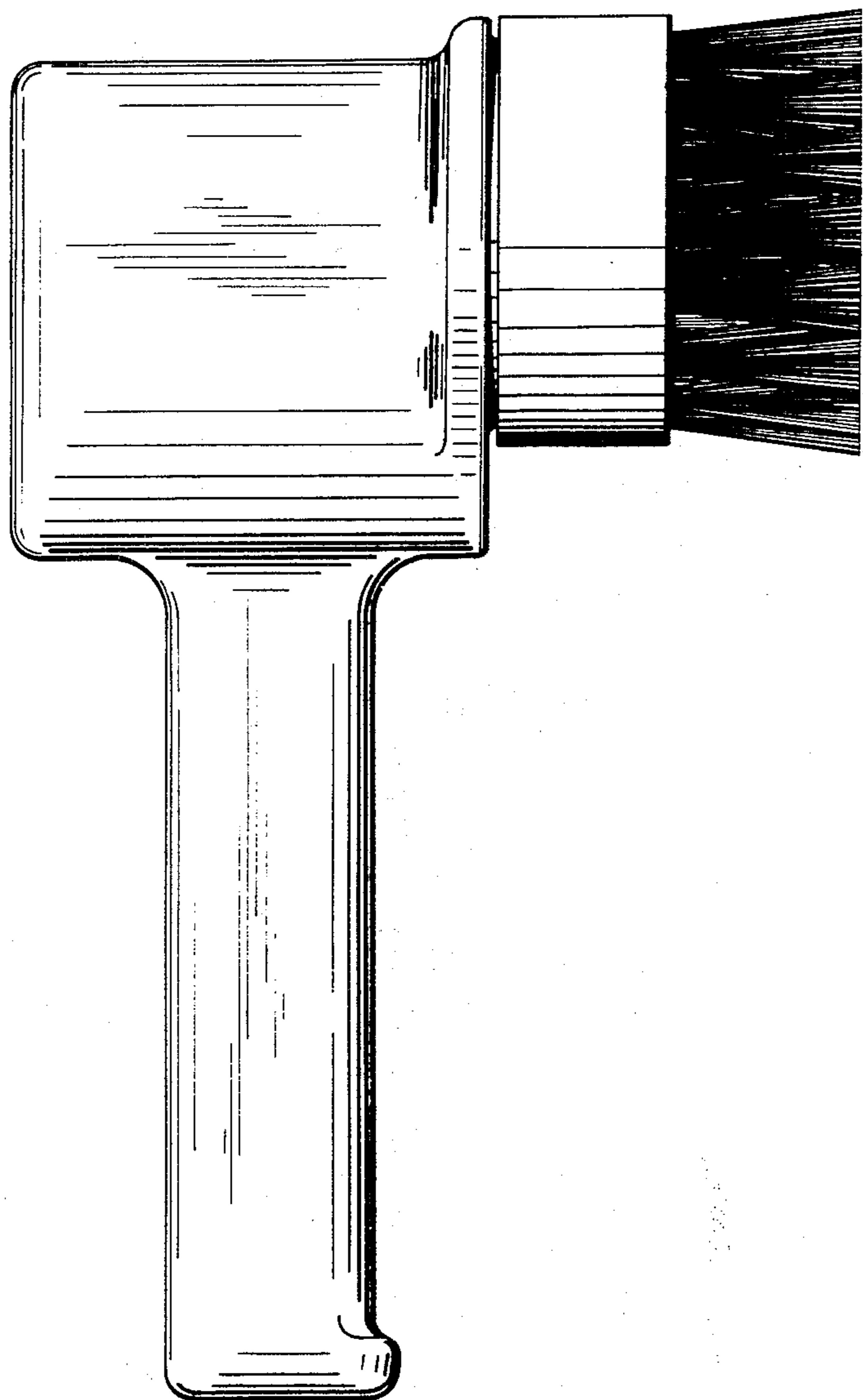


FIG. 6

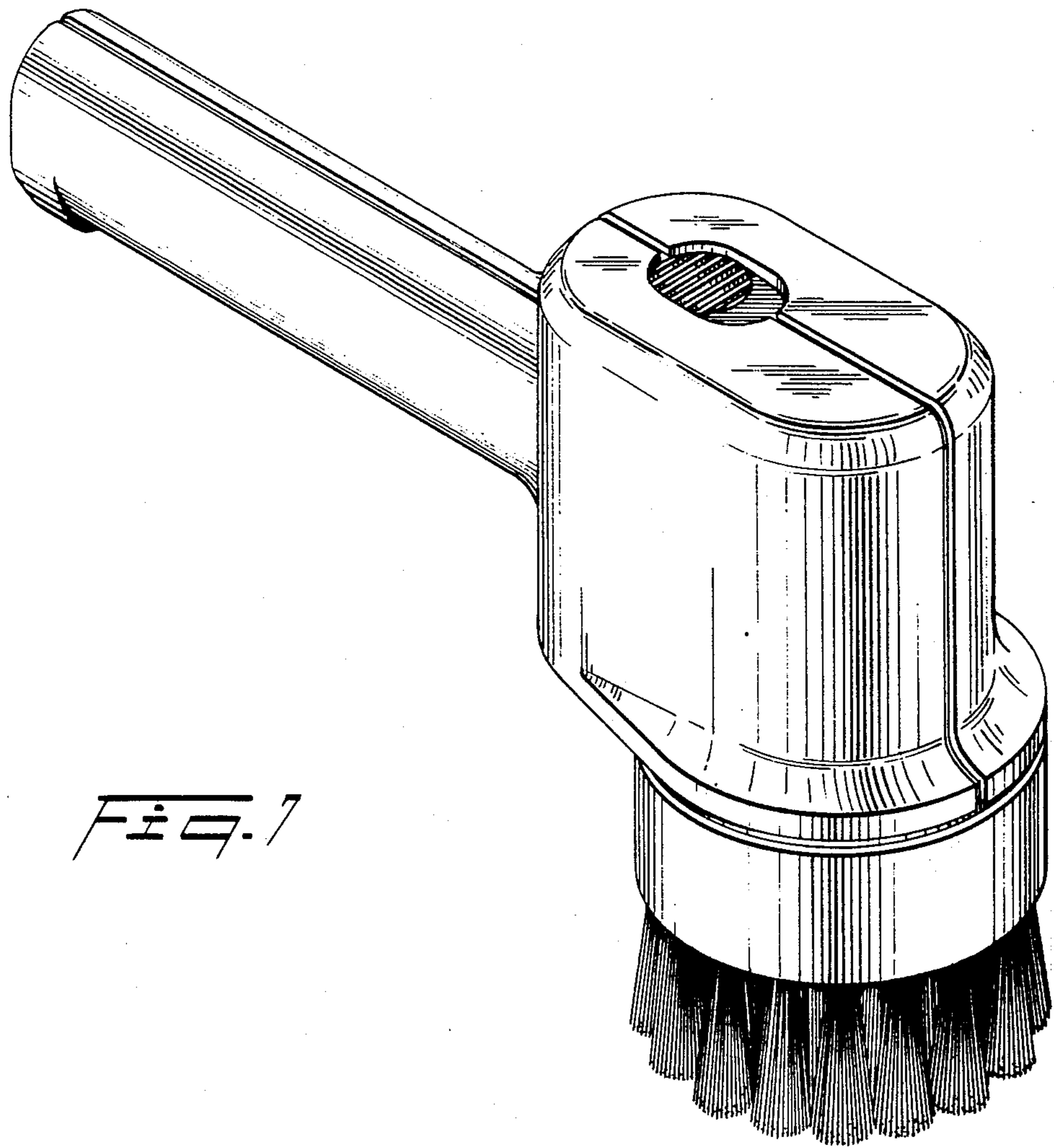


Fig. 1