

[54] CAT LITTER BOX

[76] Inventor: Anthony O'Rourke, 439 S. Detroit St., Los Angeles, Calif. 90036

[**] Term: 14 Years

[21] Appl. No.: 575,392

[22] Filed: Jan. 30, 1984

[52] U.S. Cl. D30/99; D30/1

[58] Field of Search D30/99, 1, 2, 41; 119/15-20

[56] References Cited

U.S. PATENT DOCUMENTS

D. 255,723	7/1980	Anderson	D30/1
3,613,639	10/1971	Lee et al.	119/15
3,710,761	1/1973	Gregory	119/19

Primary Examiner—Wallace R. Burke
Assistant Examiner—Brian N. Vinson
Attorney, Agent, or Firm—Allan M. Shapiro

[57] CLAIM

The ornamental design for a cat litter box, substantially as shown.

DESCRIPTION

FIG. 1 is a top and front perspective view of a cat litter box, showing my new design;
FIG. 2 is a bottom and front perspective view thereof;
FIG. 3 is a side elevational view thereof;
FIG. 4 is a rear elevational view thereof;
FIG. 5 is a top plan view thereof;
FIG. 6 is a front elevational view thereof; and
FIG. 7 is a bottom plan view thereof.

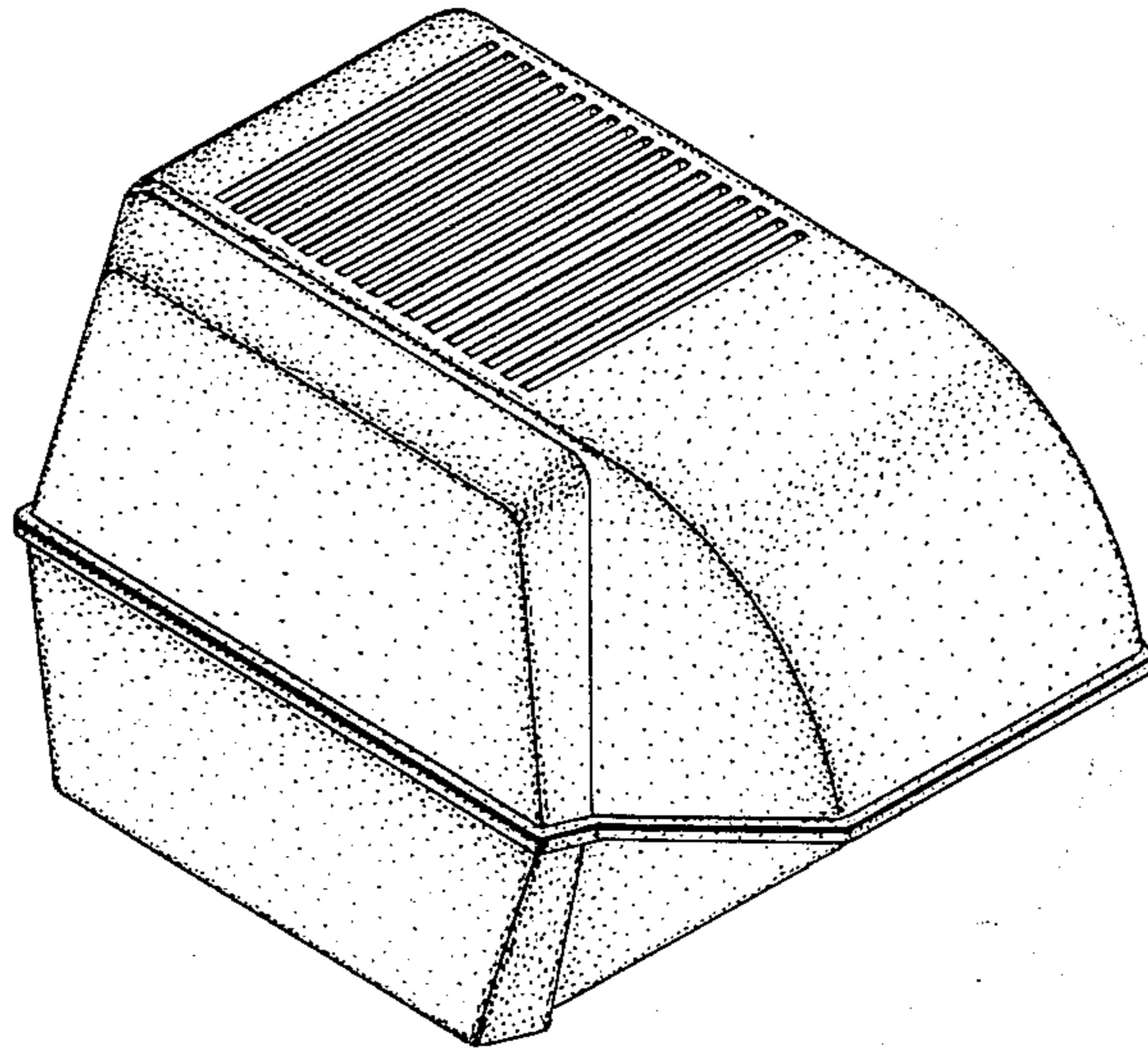


FIG. 1

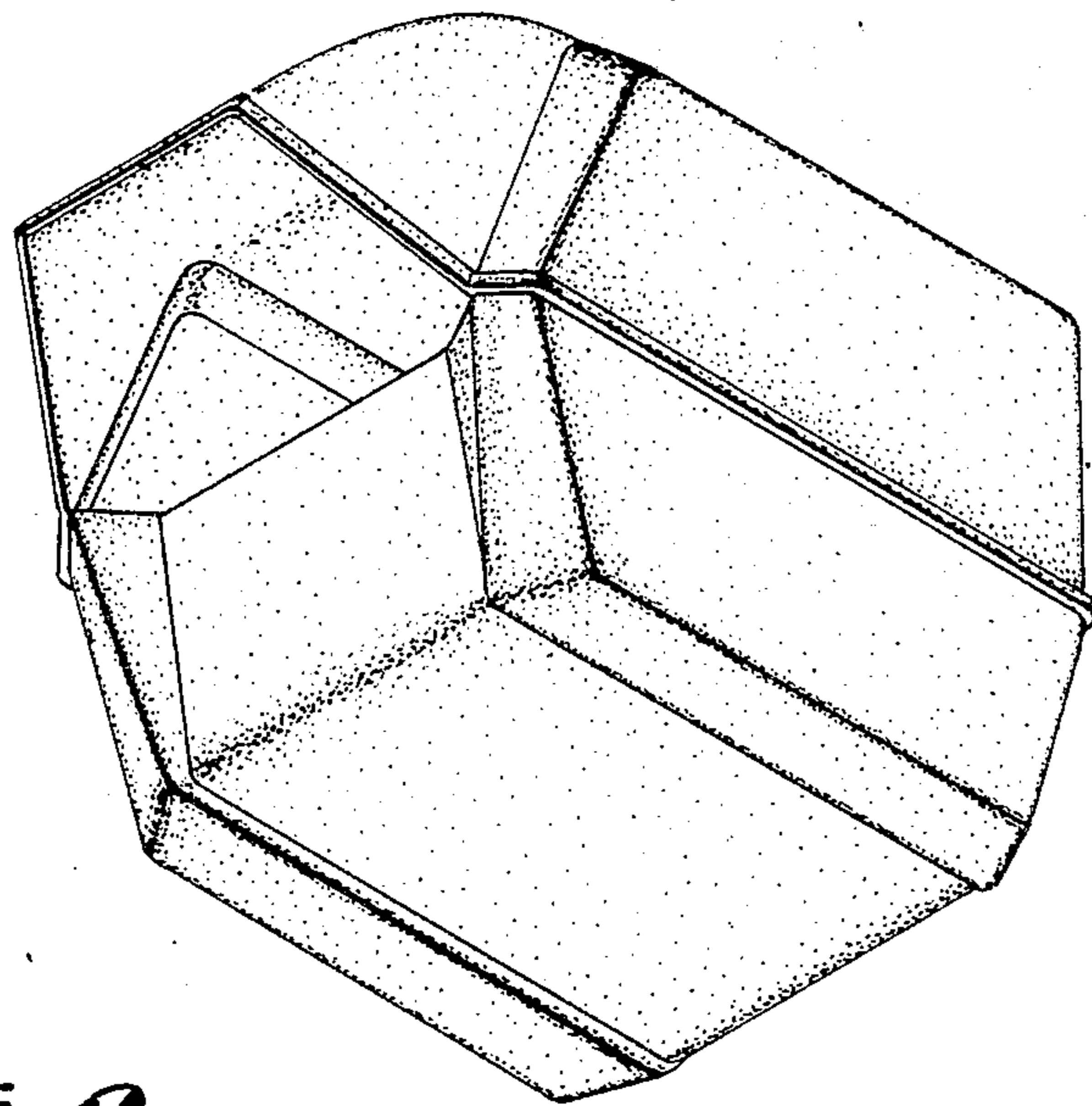
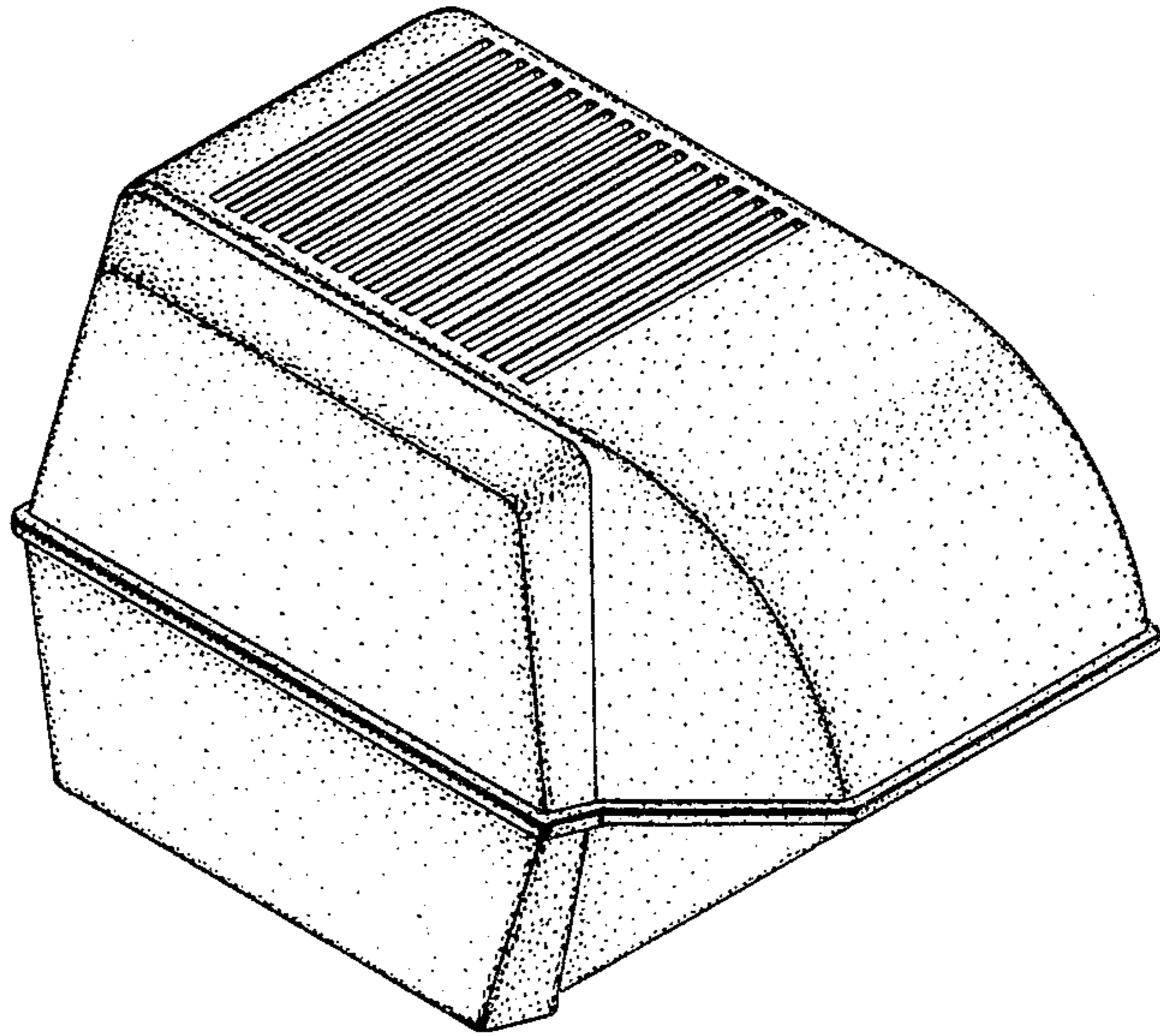


FIG. 2

FIG. 3

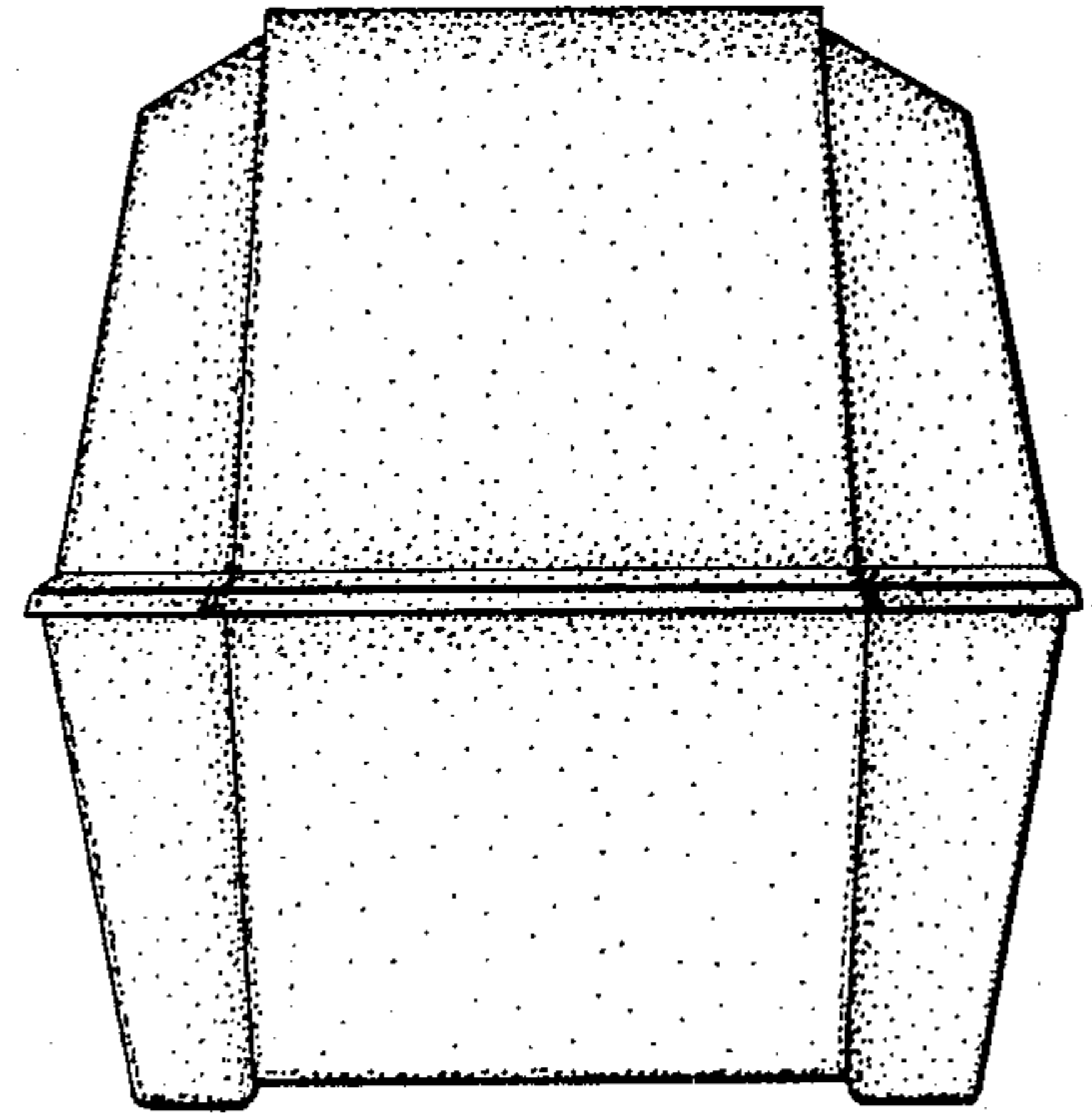
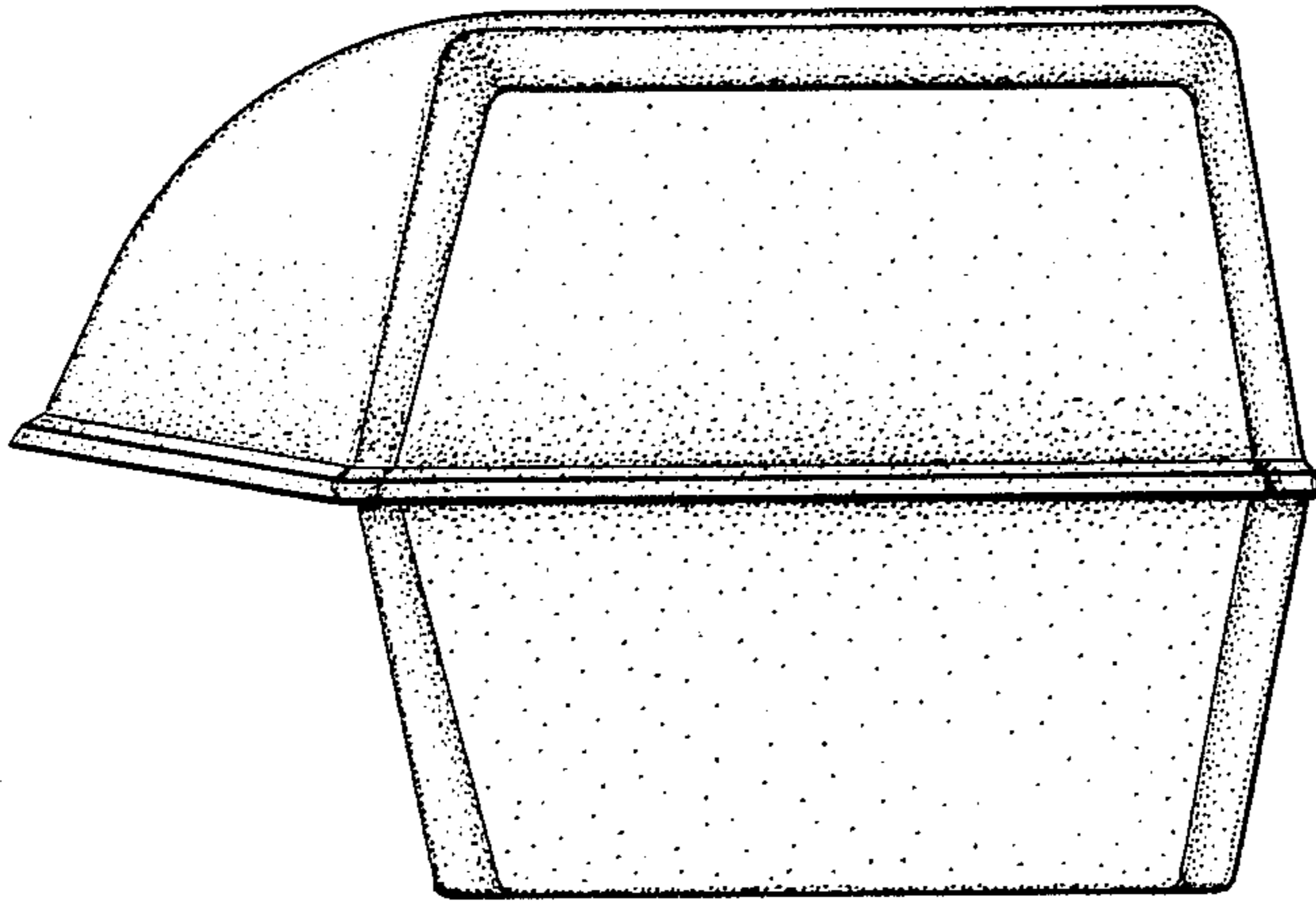


FIG. 4

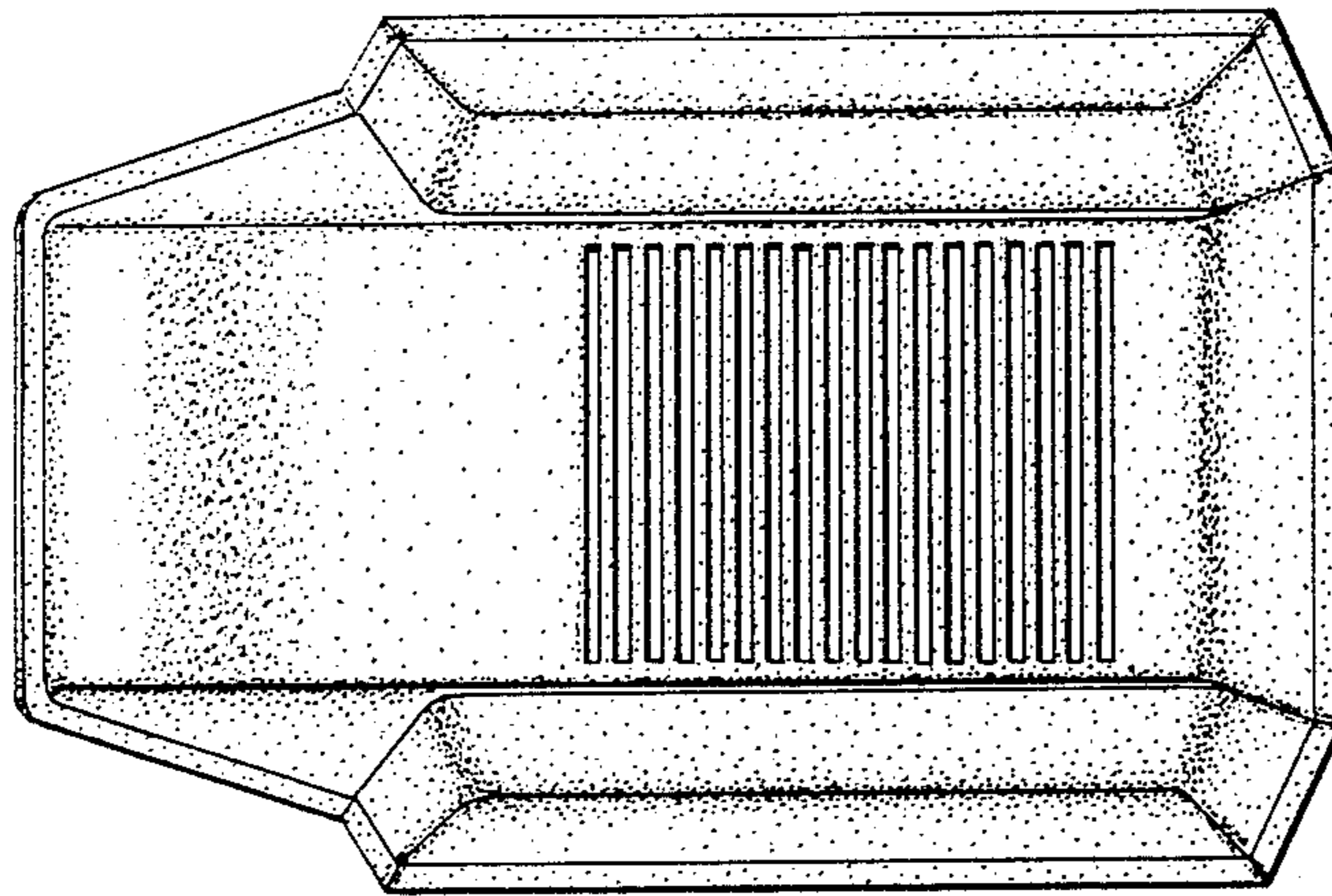


FIG. 5

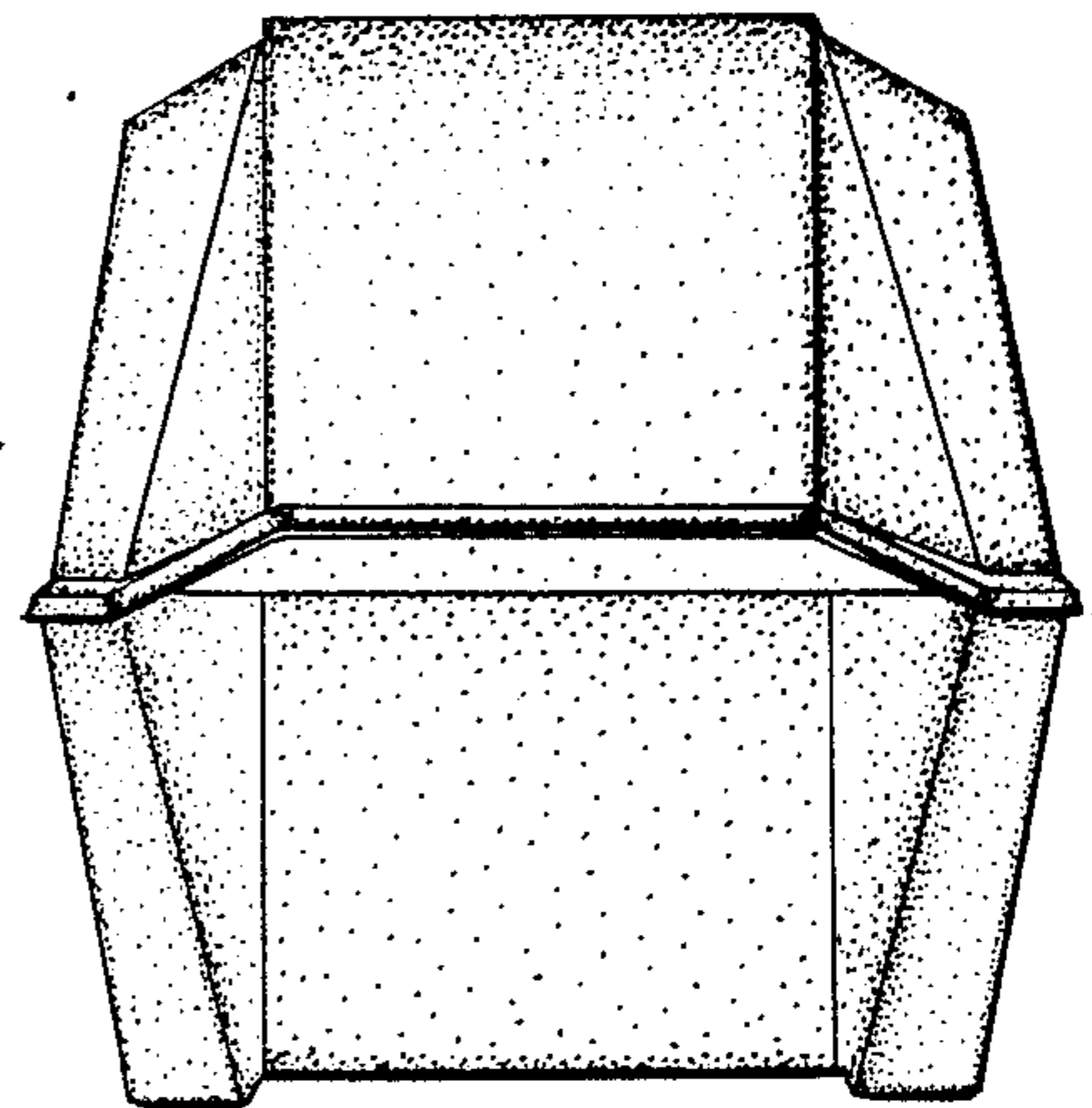


FIG. 6

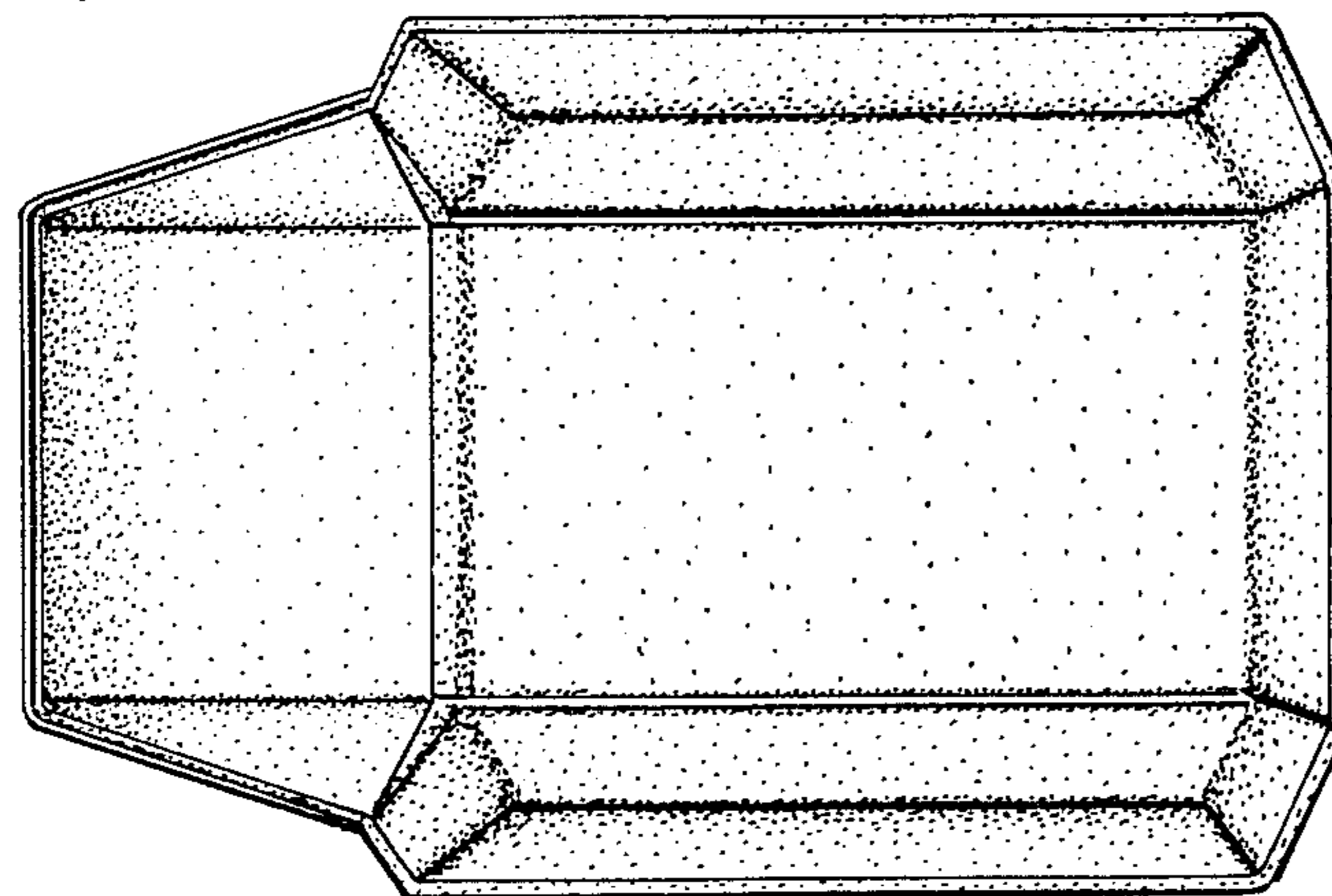


FIG. 7