

United States Patent [19]

Haywood et al.

[11] Patent Number: **Des. 286,693**

[45] Date of Patent: **** Nov. 11, 1986**

[54] **FOOD CUP BRACKET FOR BIRD CAGES**

[76] Inventors: **Billy J. Haywood; Christa H. Haywood**, both of 1019 Ming Ave., Bakersfield, Calif. 93307

[**] Term: **14 Years**

[21] Appl. No.: **621,677**

[22] Filed: **Jun. 18, 1984**

[52] U.S. Cl. **D30/18**

[58] Field of Search **D30/4-5, D30/13-14, 16, 18, 3; D8/373, 374, 366, 369; 119/51 R, 58, 60, 68, 72, 76**

[56] **References Cited**

U.S. PATENT DOCUMENTS

D. 233,396 10/1974 Arnal D8/374 X

D. 238,885 2/1976 Robert D30/13
D. 258,152 2/1981 Robert D30/13
4,259,927 4/1981 Clarke 119/51 R
4,505,270 3/1985 Miles 119/96

Primary Examiner—Wallace R. Burke
Assistant Examiner—Brian N. Vinson
Attorney, Agent, or Firm—Allan M. Shapiro

[57] CLAIM

The ornamental design for a food cup bracket for bird cages, substantially as shown.

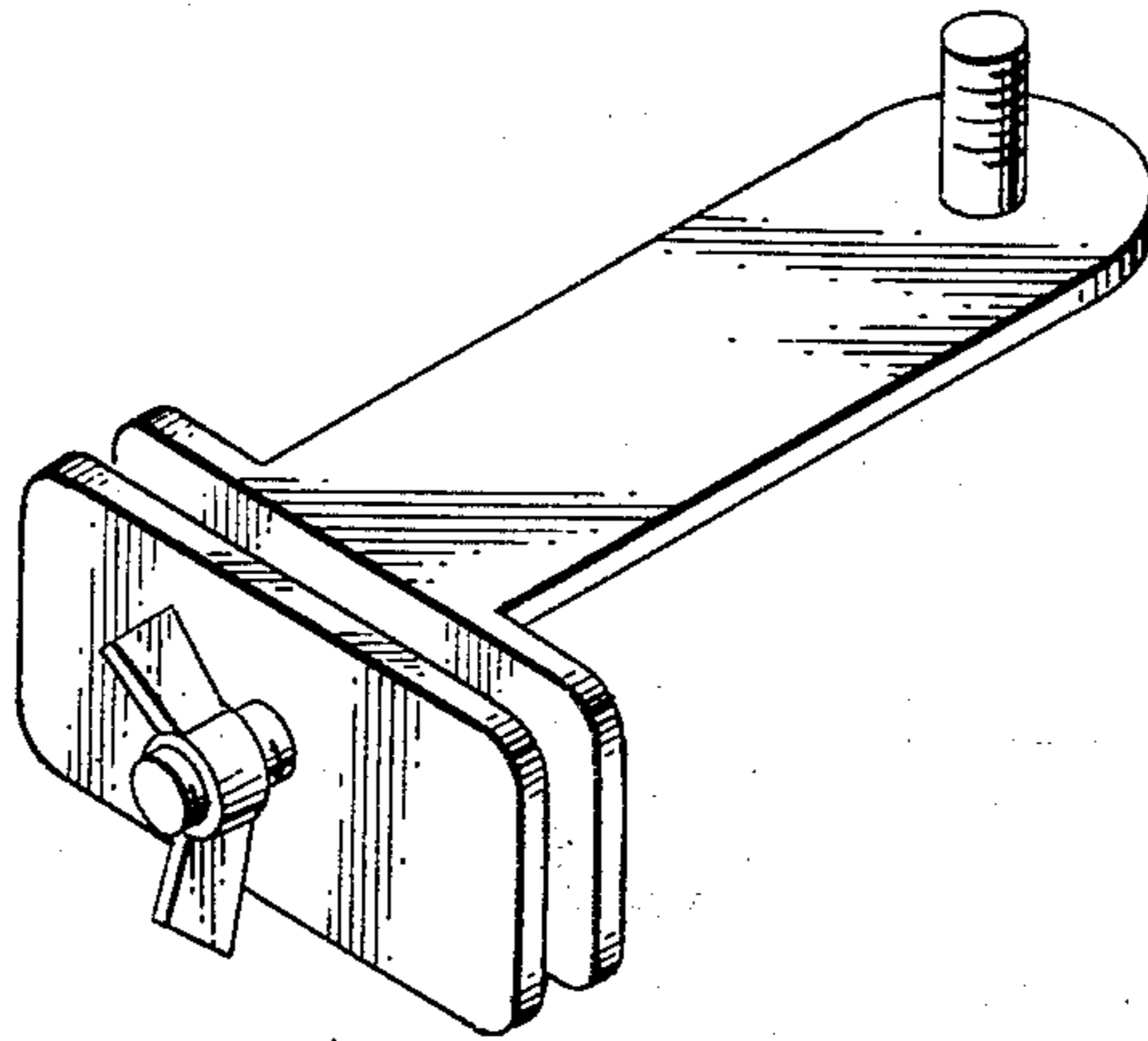
DESCRIPTION

FIG. 1 is a front, top and right side perspective view of a food cup bracket for bird cages, showing our new design;

FIG. 2 is a left side elevational view thereof;

FIG. 3 is a rear elevational view thereof; and

FIG. 4 is a bottom plan view thereof.



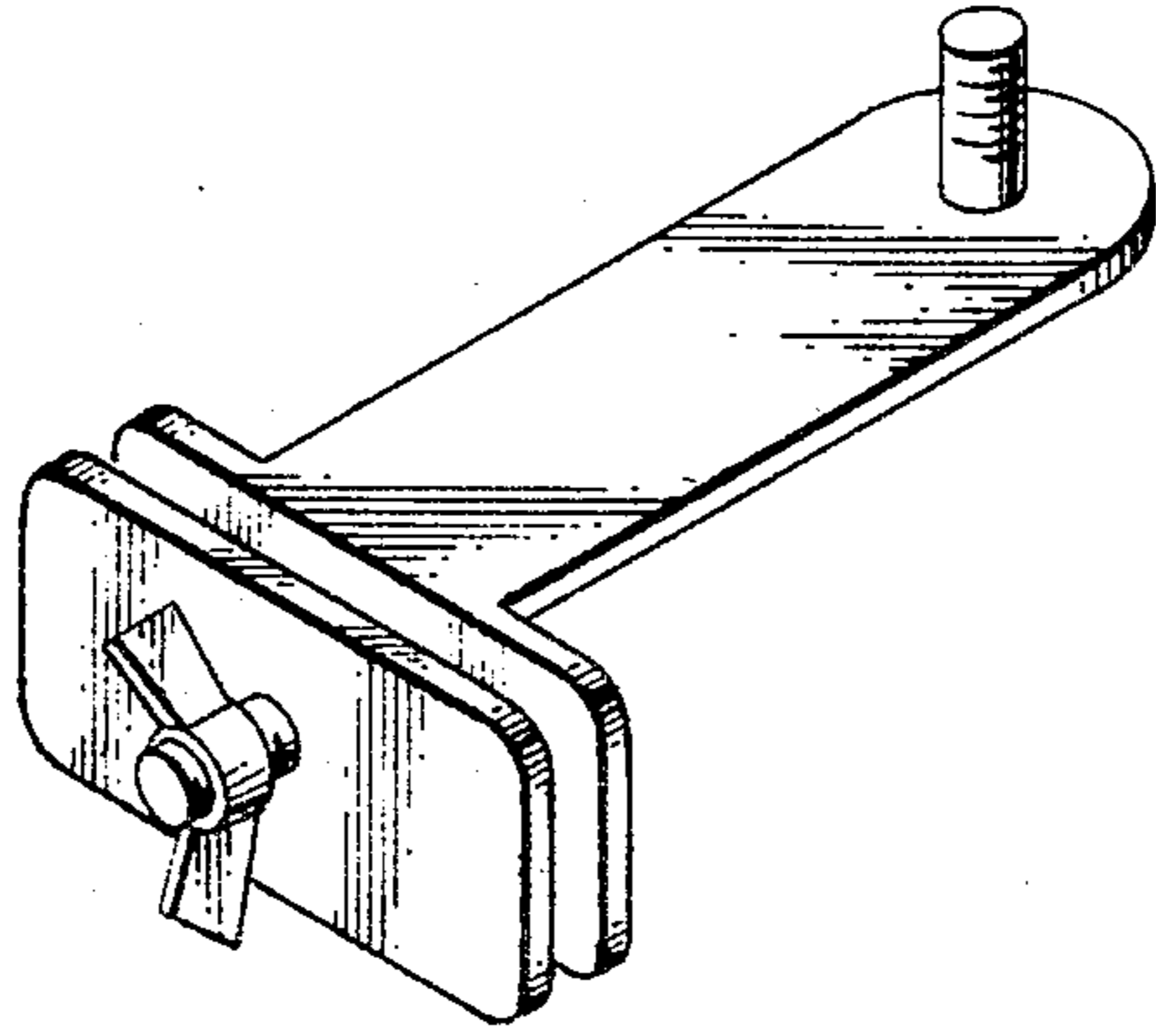


FIG. 1

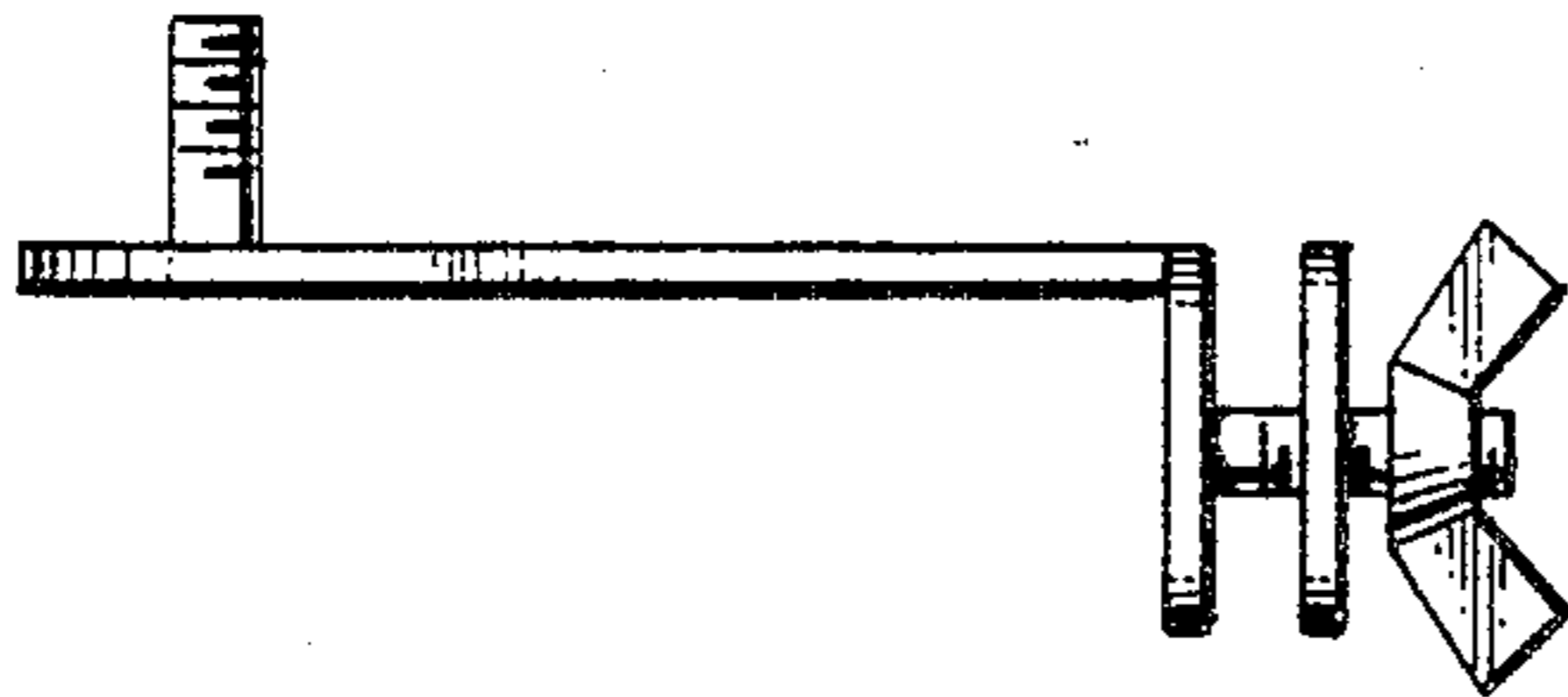


FIG. 2

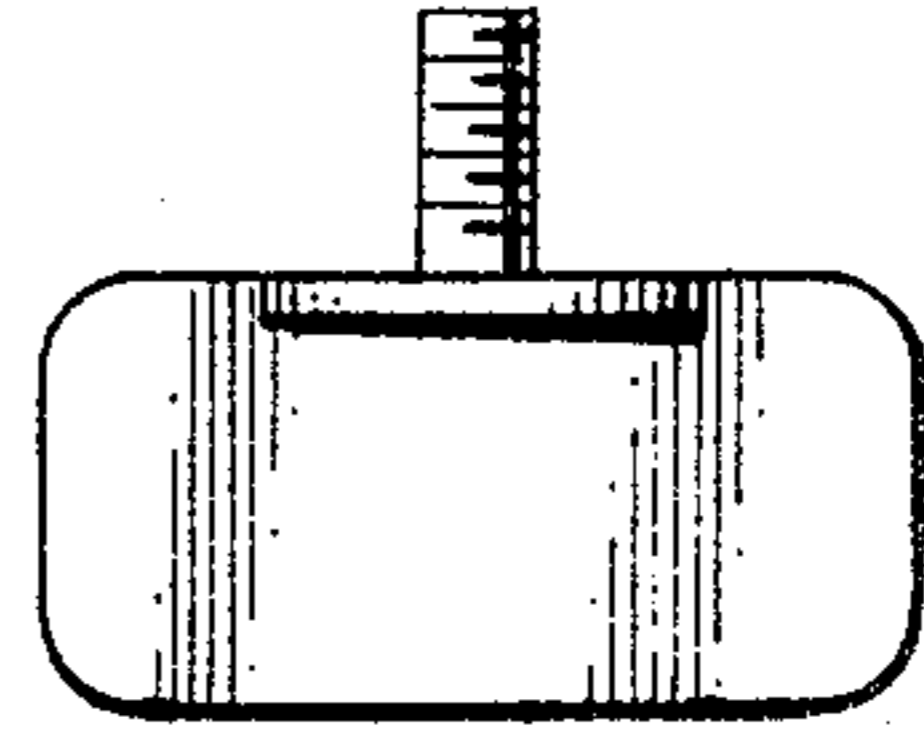


FIG. 3

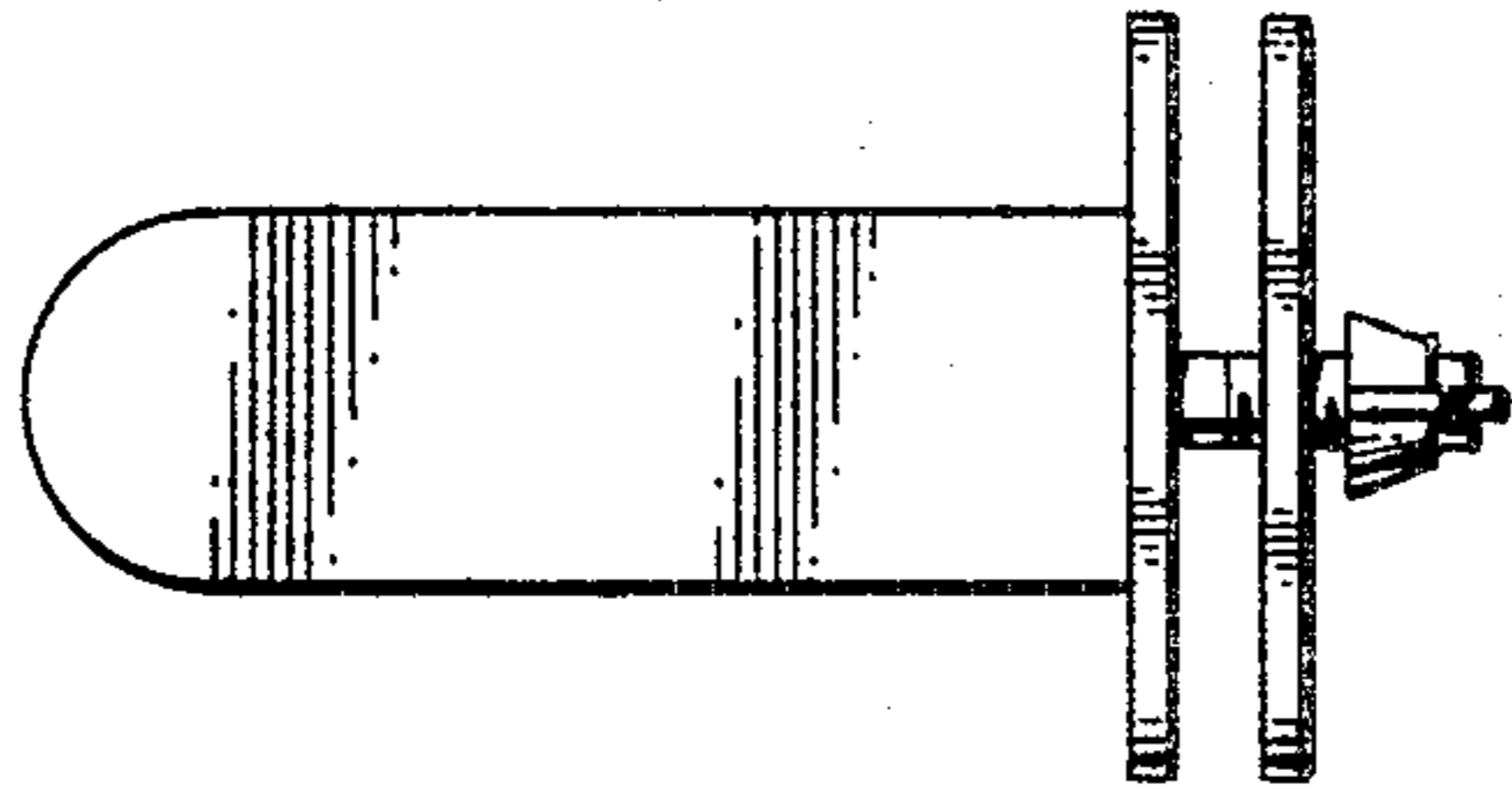


FIG. 4