

[54] ALL PURPOSE FEEDER FOR LIVESTOCK

1,240,864 9/1917 McCollough 119/52 R

[76] Inventor: Thomas N. DePew, 10 Sunningdale, St. Louis, Mo. 63124

Primary Examiner—Wallace R. Burke
Assistant Examiner—Brian N. Vinson
Attorney, Agent, or Firm—Kalish & Gilster

[**] Term: 14 Years

[57] CLAIM

[21] Appl. No.: 627,461

The ornamental design for an all purpose feeder for livestock, as shown and described.

[22] Filed: Jul. 3, 1984

[52] U.S. Cl. D30/13

DESCRIPTION

[58] Field of Search D30/13-18;
119/51 R, 51 FS, 52 R, 55, 58, 59, 60, 61, 63

FIG. 1 is a top perspective view of an all purpose feeder for livestock showing my new design;

[56] References Cited

U.S. PATENT DOCUMENTS

D. 230,612 3/1974 Williamson et al. D30/13

D. 237,599 11/1975 Cox D30/13 X

FIG. 2 is an end elevational view thereof, the opposite end view being identical;

FIG. 3 is a side elevational view thereof, the opposite side view being identical;

FIG. 4 is a bottom plan view thereof.

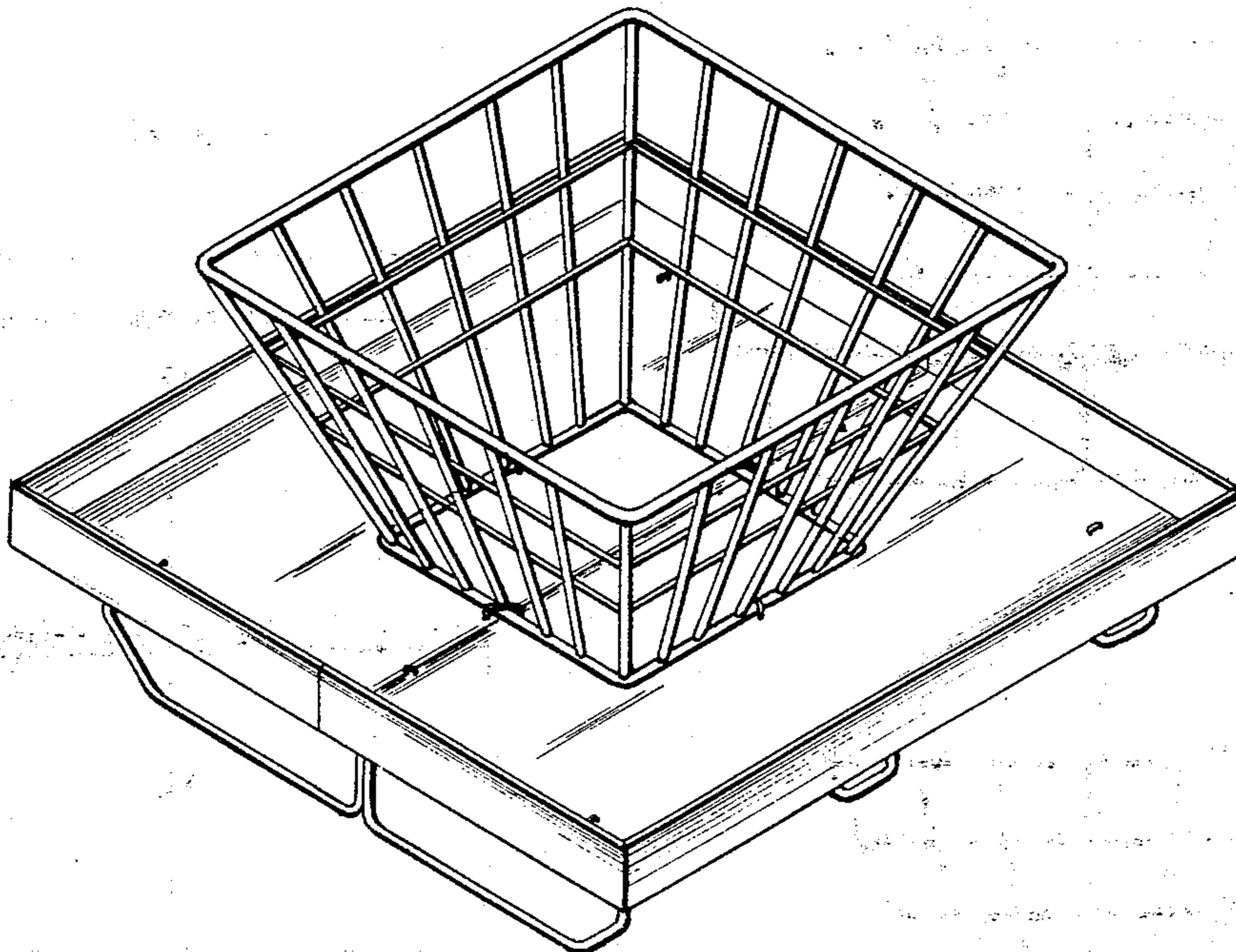


FIG. 1

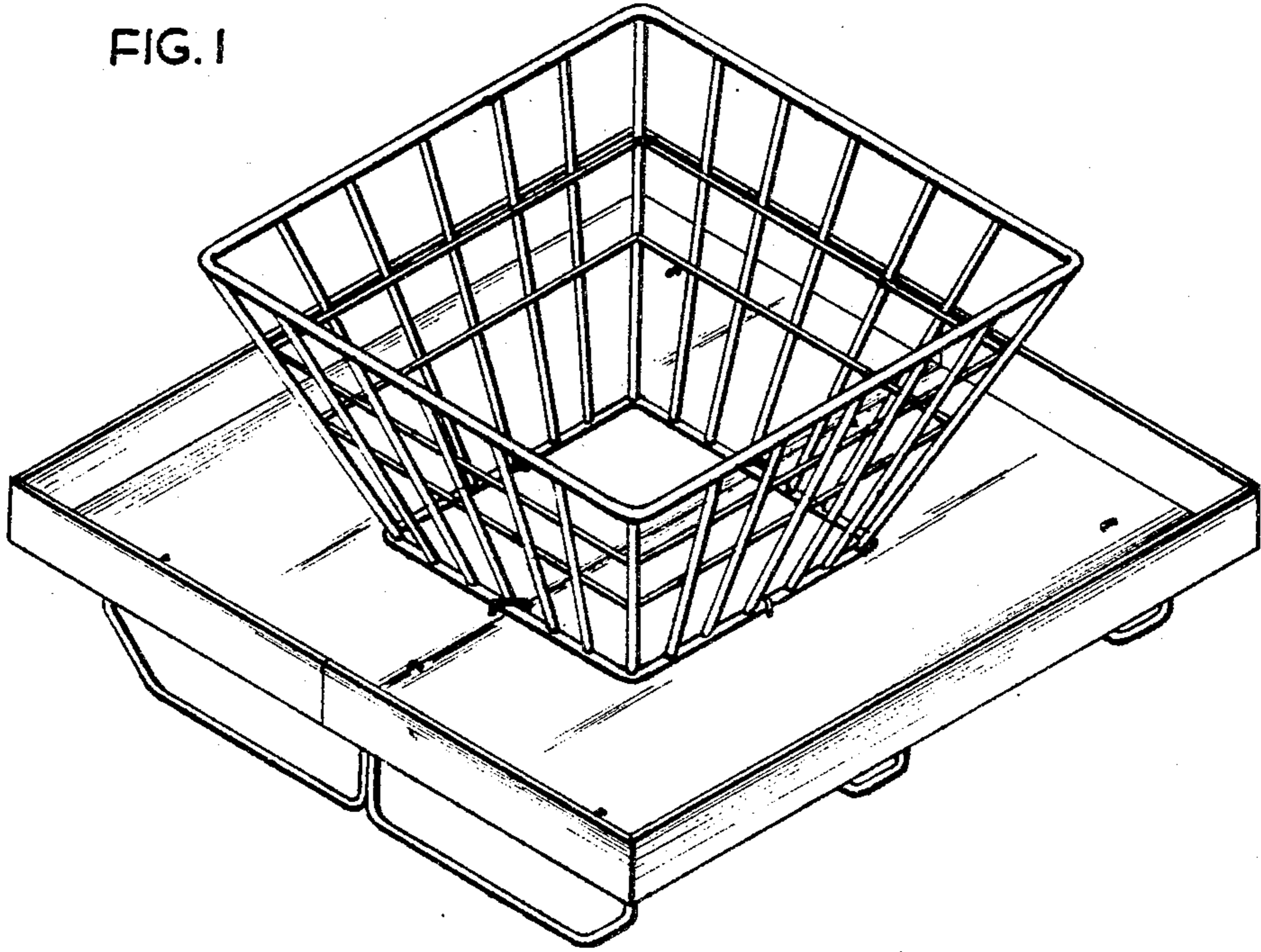


FIG. 2

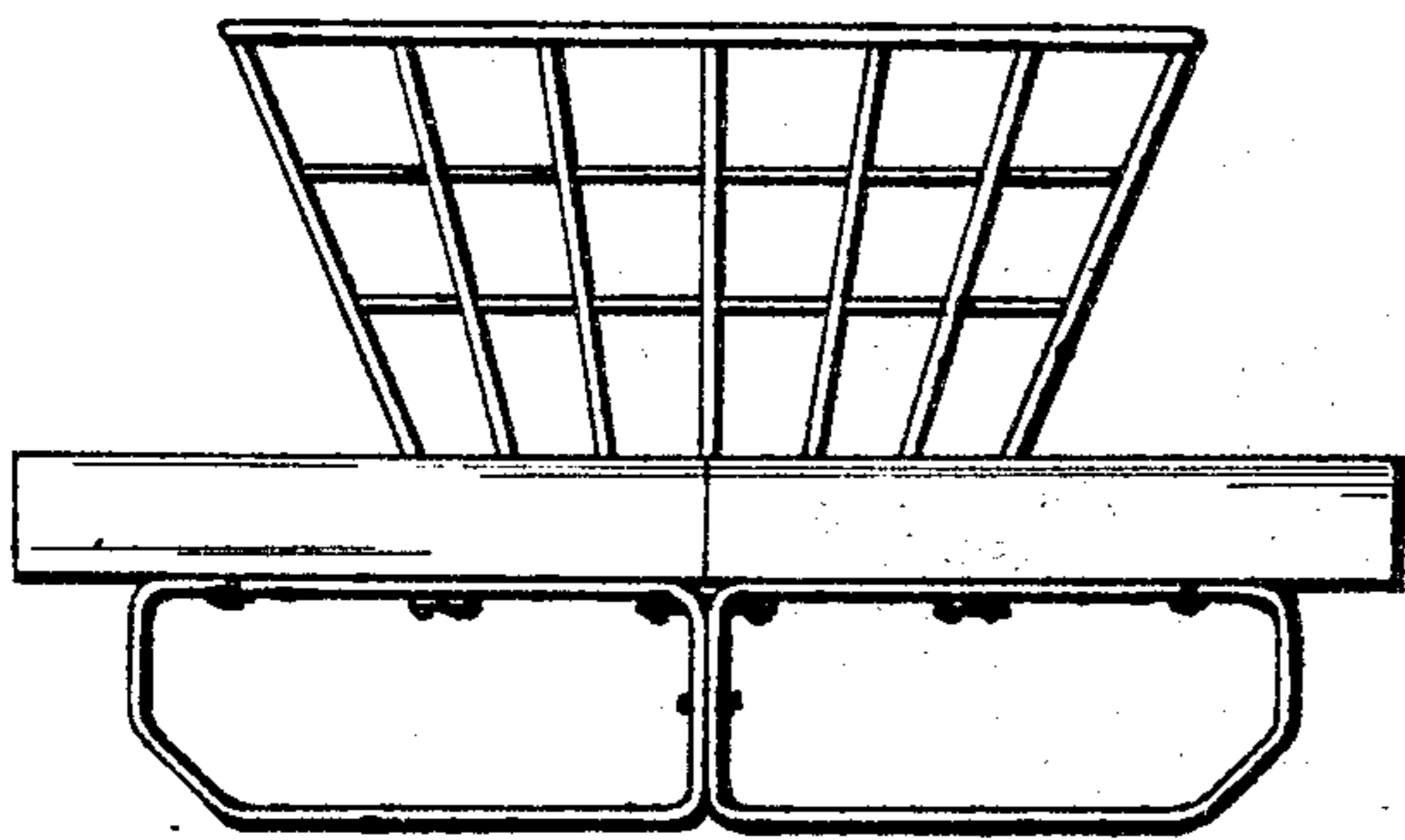


FIG. 3

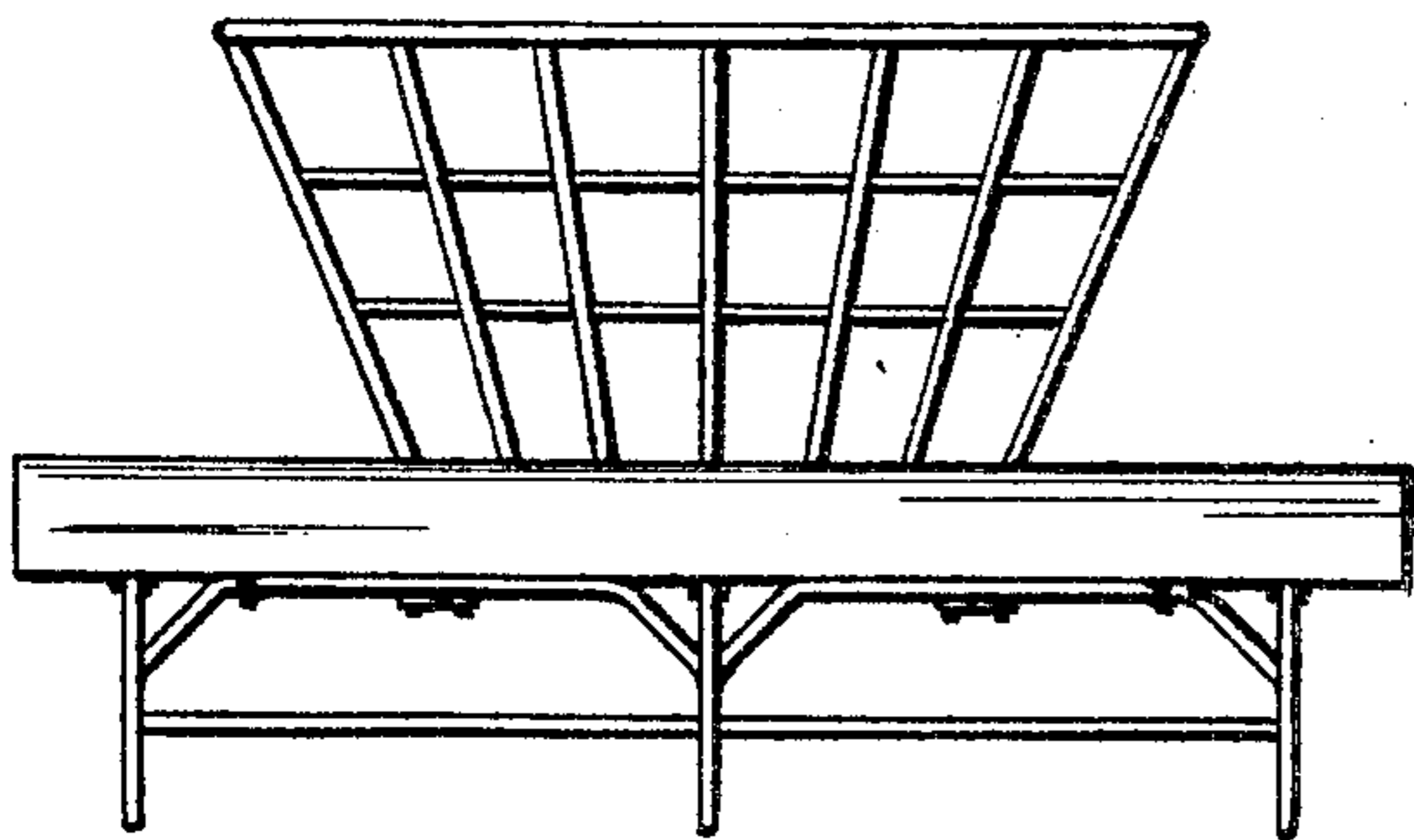


FIG. 4

