

[54] PORTABLE CORRAL PANEL

1,240,134 9/1917 Graham 119/58
4,193,377 3/1980 Weldy 119/20

[75] Inventor: Marvin J. Priefert, Mount Pleasant, Tex.

Primary Examiner—Wallace R. Burke
Assistant Examiner—Brian N. Vinson
Attorney, Agent, or Firm—Rudolph L. Lowell

[73] Assignee: Priefert Mfg. Co., Inc., Mt. Pleasant, Tex.

[**] Term: 14 Years

[57] CLAIM

[21] Appl. No.: 672,083

The ornamental design for a portable corral panel, substantially as shown.

[22] Filed: Nov. 16, 1984

DESCRIPTION

[52] U.S. Cl. D30/2

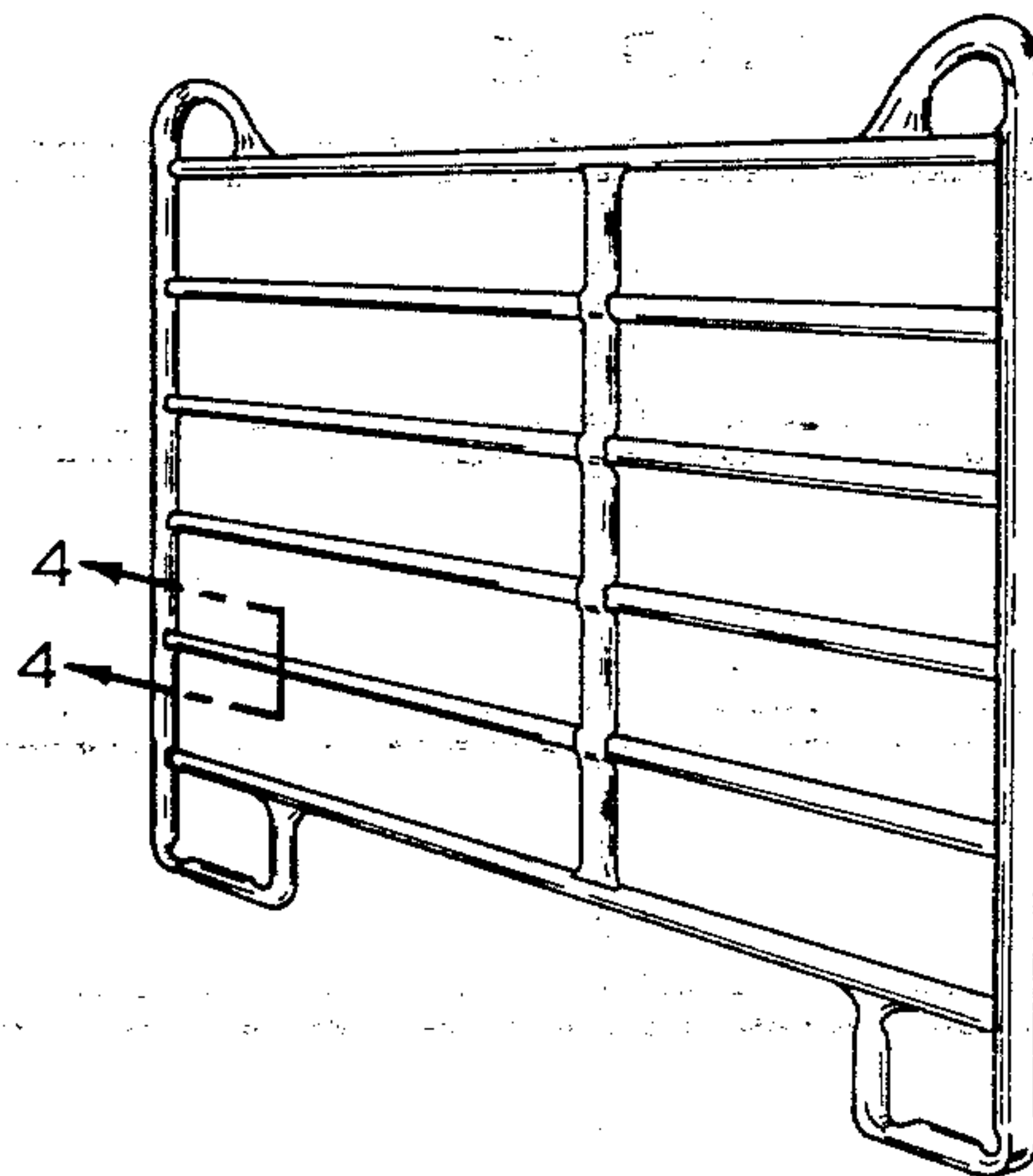
[58] Field of Search D30/1-2,
D30/44-45, 99; D25/38-39, 43, 50, 61, 98;
119/11-13, 15, 17, 20, 27, 58

FIG. 1 is a front elevational view of a portable corral panel showing my new design;
FIG. 2 is a rear elevational view thereof;
FIG. 3 is a front perspective view thereof;
FIG. 4 is an enlarged fragmentary sectional perspective view taken along line 4—4 in FIG. 3;
FIG. 5 is an end elevational view thereof, the opposite end being identical;
FIG. 6 is a top plan view thereof; and
FIG. 7 is a bottom plan view thereof.

[56] References Cited

U.S. PATENT DOCUMENTS

- D. 237,722 11/1975 Kratky D25/50
- D. 244,459 5/1977 Kratky D25/50
- D. 247,052 1/1978 DeMyer D30/2



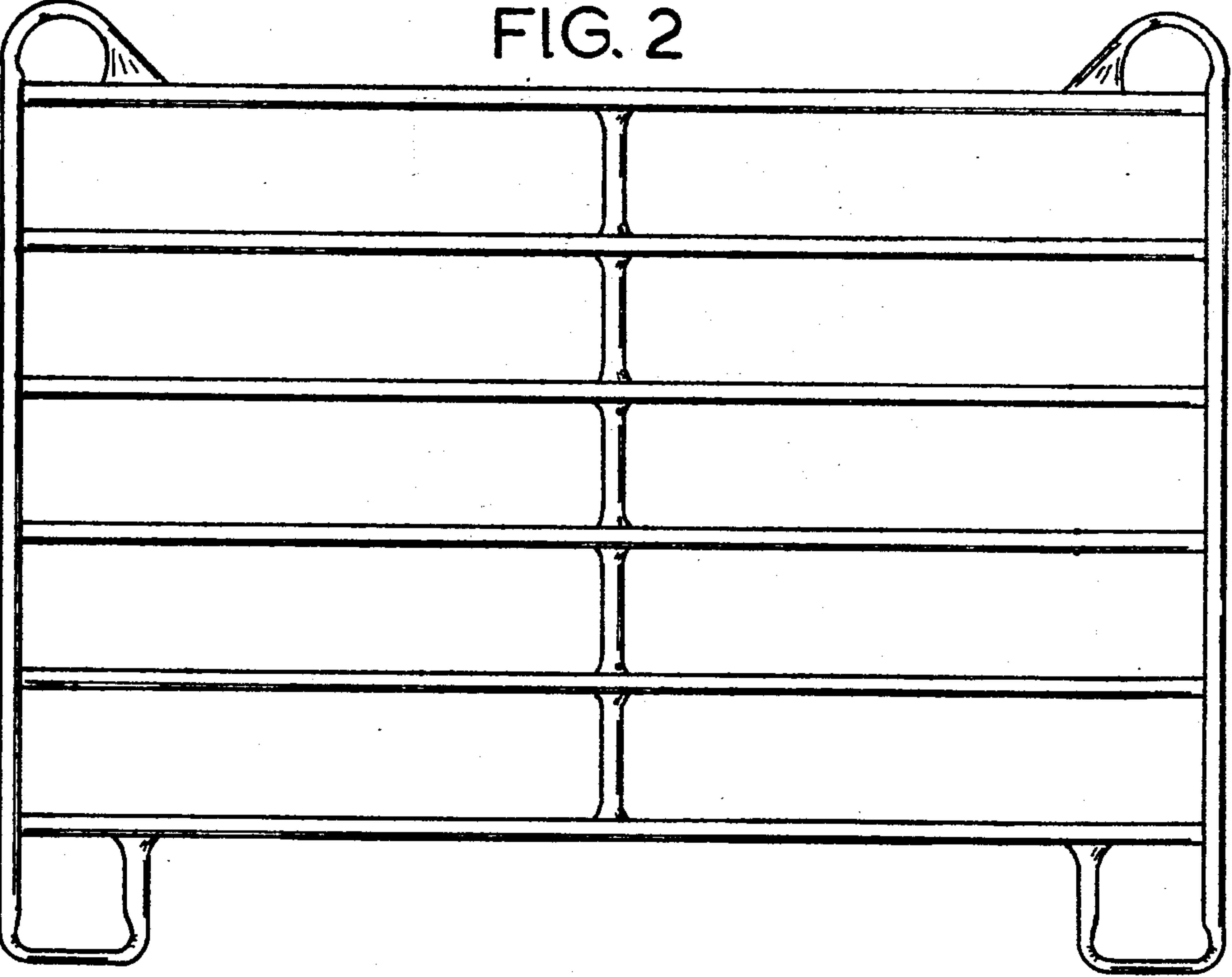
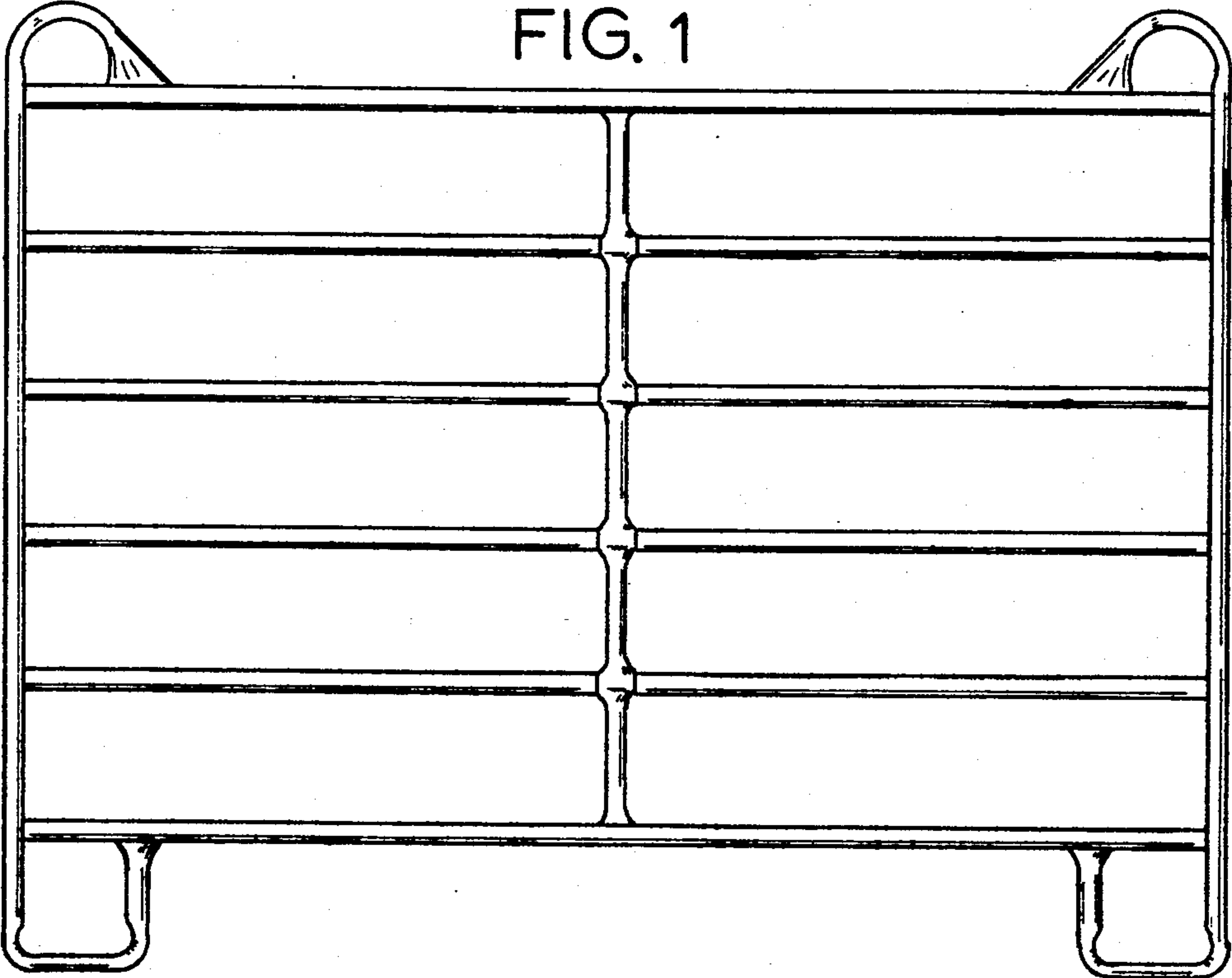


FIG. 3

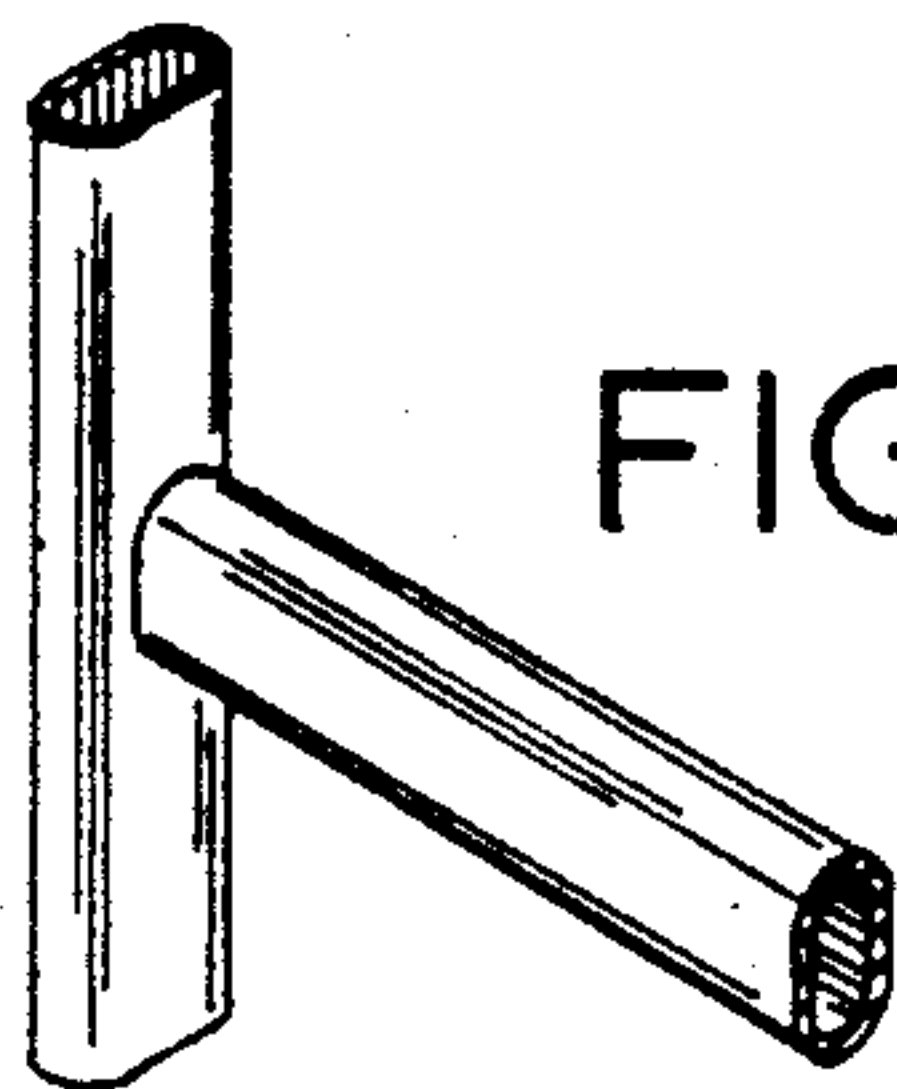
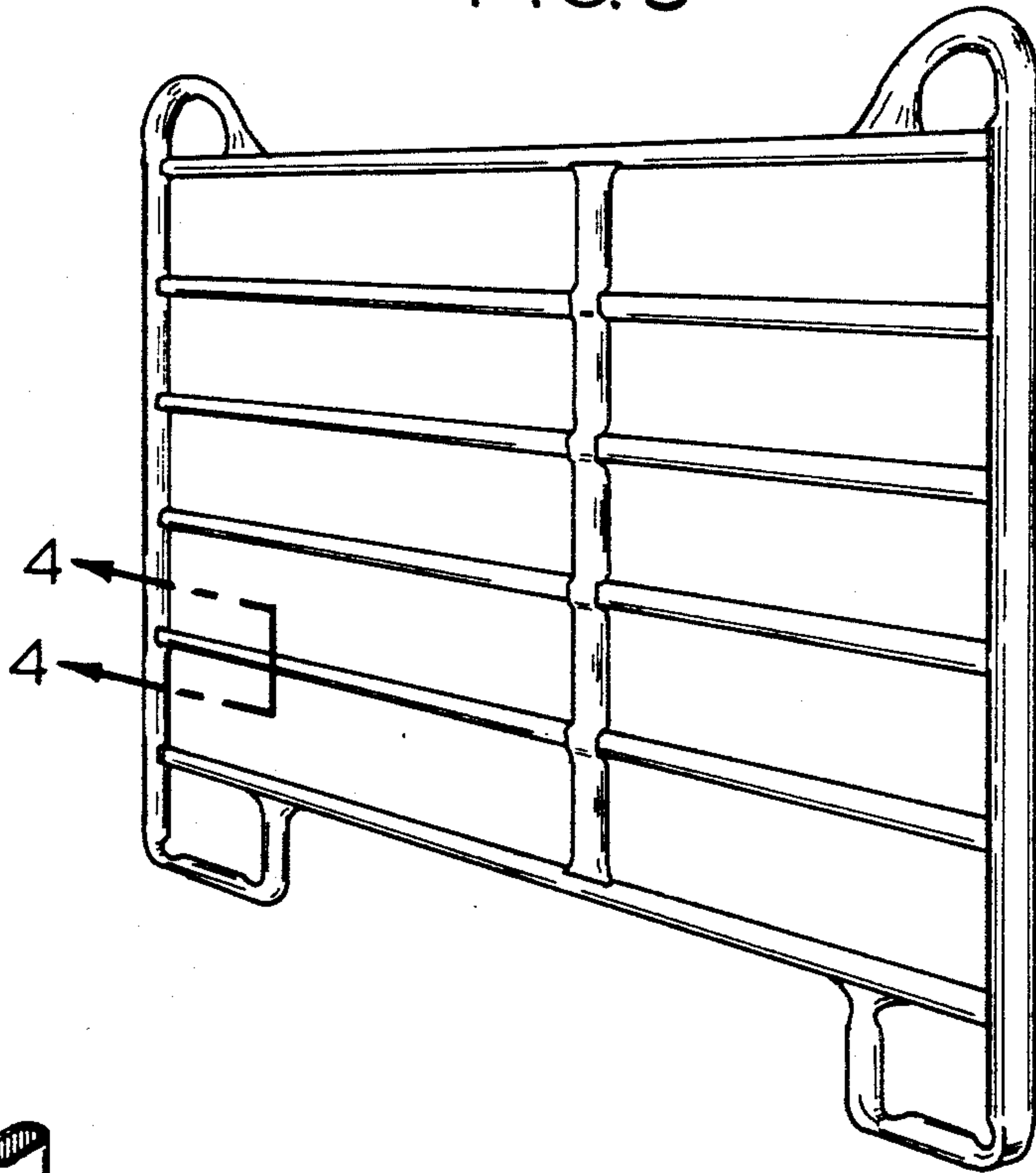


FIG. 4

FIG. 5



FIG. 6



FIG. 7

