

[54] LOAD-LOWERING DEVICE

4,396,095 8/1983 Wernli et al. 188/65.1

[75] Inventor: William E. Forrest, Denver, Colo.

Primary Examiner—James M. Gandy
Assistant Examiner—Kay H. Chin
Attorney, Agent, or Firm—Edwin L. Spangler, Jr.

[73] Assignee: Advanced Evacuation Systems,
Denver, Colo.

[**] Term: 14 Years

[57] CLAIM

[21] Appl. No.: 582,295

The ornamental design for a load-lowering device, as shown and described.

[22] Filed: Feb. 22, 1984

DESCRIPTION

[52] U.S. Cl. D29/1; D34/28

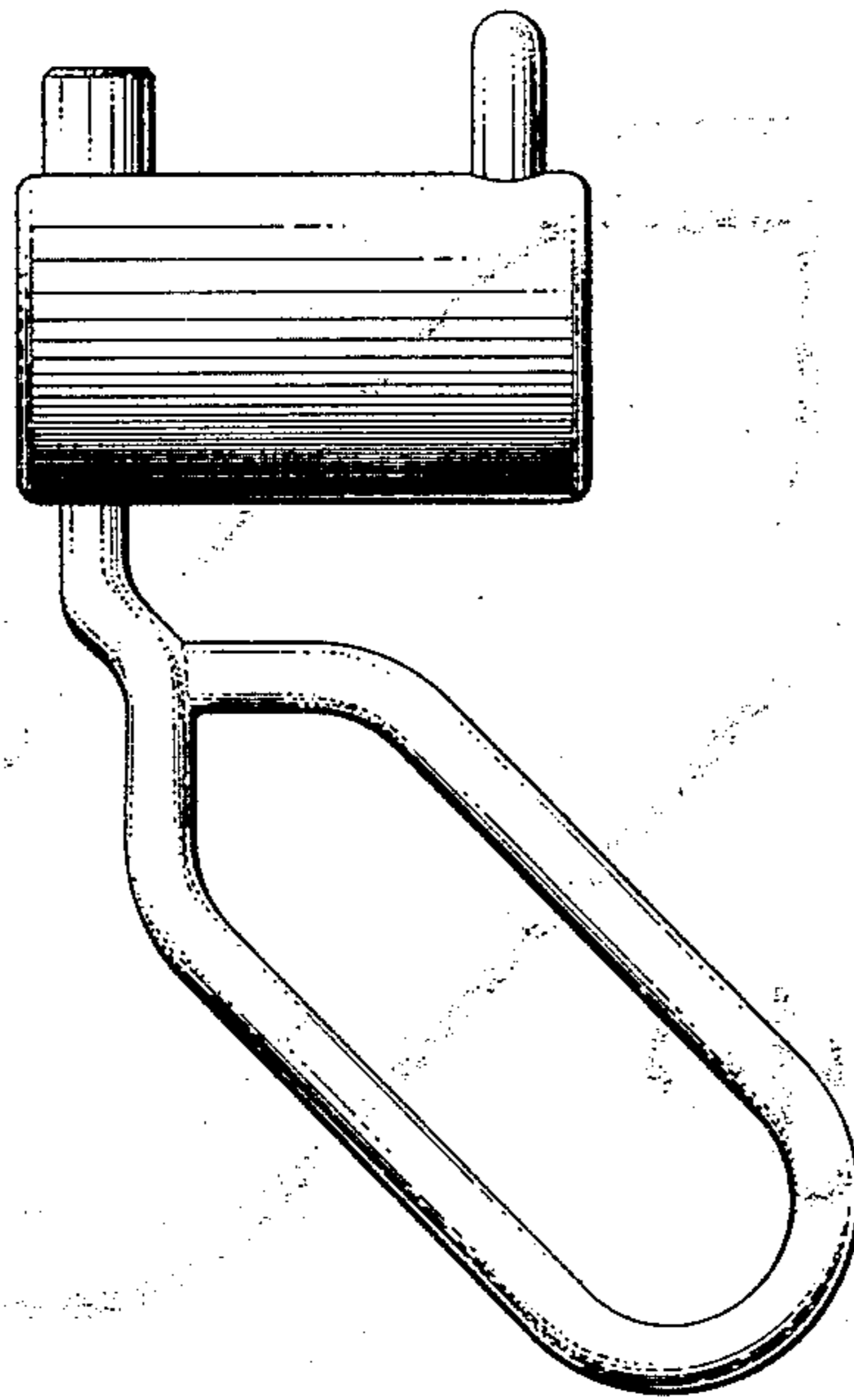
[58] Field of Search D34/28, 29, 33;
188/65.1, 65.2; 182/5; D29/1, 99

FIG. 1 is a front elevation of a load-lowering device showing my new design;
FIG. 2 is a top plan view thereof;
FIG. 3 is a right side elevation thereof;
FIG. 4 is a left side elevation thereof; and,
FIG. 5 is a bottom plan view thereof.
The rear elevation is a mirror image of the front elevation.

[56] References Cited

U.S. PATENT DOCUMENTS

3,949,832	4/1976	Hunter	188/65.2
4,385,679	5/1983	Mulcahy	188/65.2



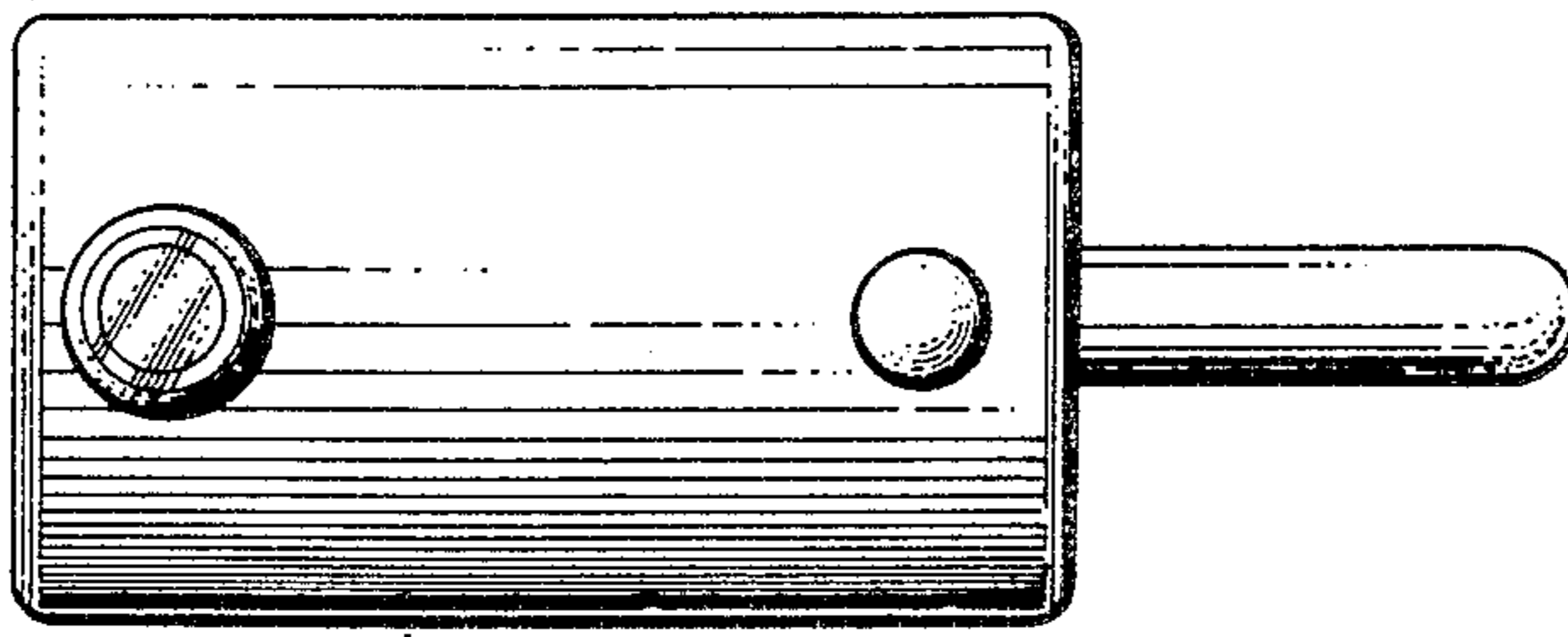


Fig. 2

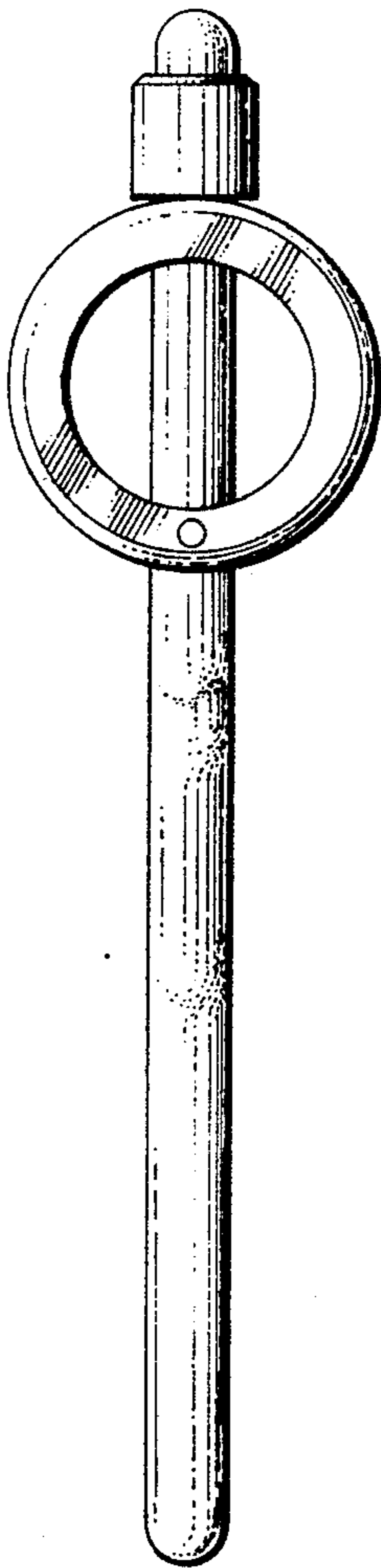


Fig. 4

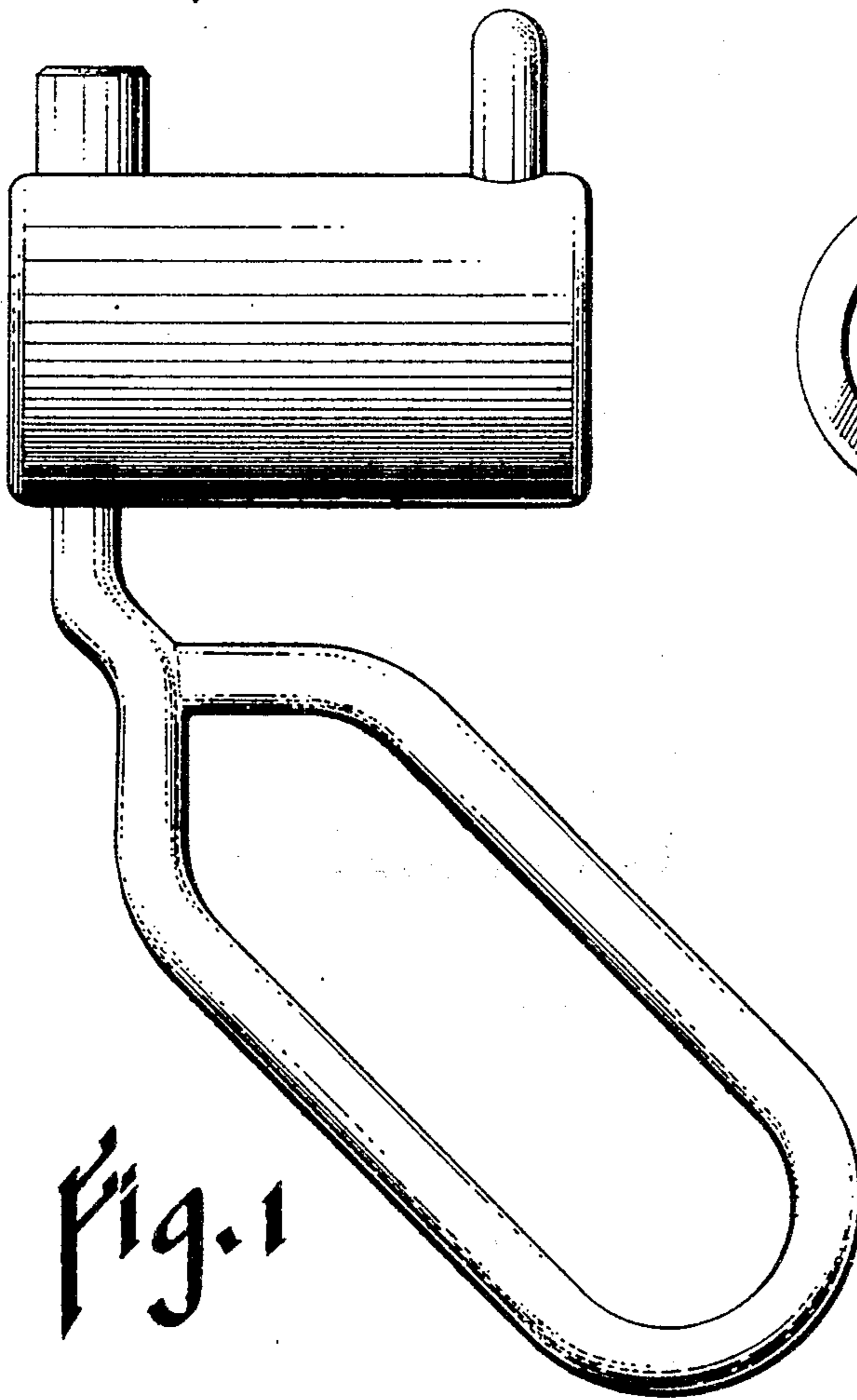


Fig. 1

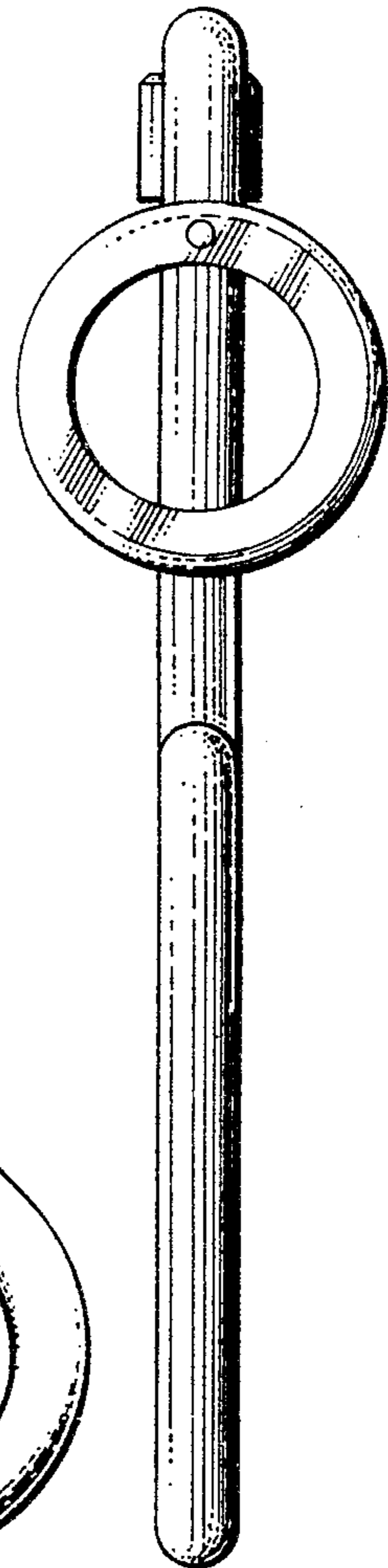


Fig. 3

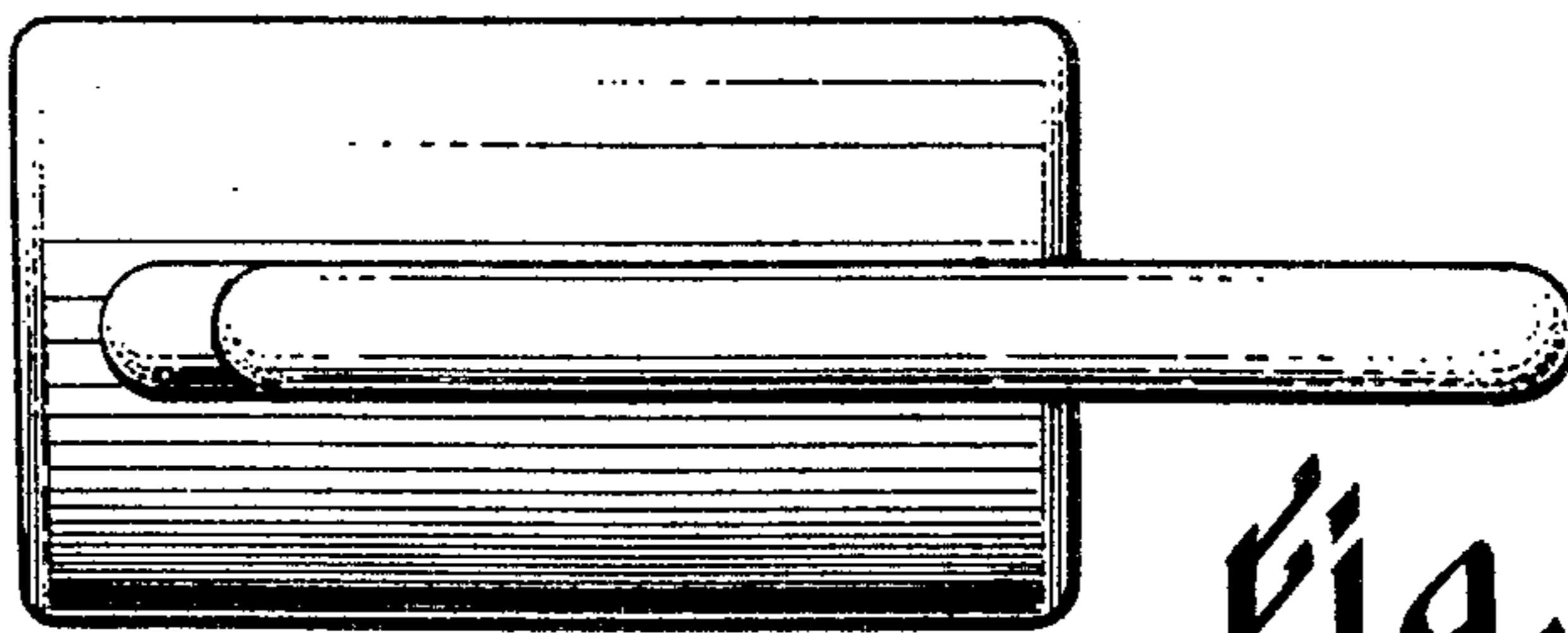


Fig. 5