

United States Patent [19]

Nemoto

[11] Patent Number: **Des. 286,687**

[45] Date of Patent: **** Nov. 11, 1986**

[54] **WIG ANCHOR**

4,155,370 5/1979 Nemoto 132/53

[75] Inventor: **Nobuo Nemoto, Tokyo, Japan**

FOREIGN PATENT DOCUMENTS

[73] Assignee: **Aderans Company, Ltd., Japan**

1536630 12/1978 United Kingdom 132/53

[*] Notice: The portion of the term of this patent subsequent to Jul. 30, 1999 has been disclaimed.

Primary Examiner—Louis S. Zarfes
Attorney, Agent, or Firm—Wegner & Bretschneider

[**] Term: **14 Years**

[57] CLAIM

[21] Appl. No.: **596,856**

The ornamental design for a wig anchor, substantially as shown and described.

[22] Filed: **Apr. 5, 1984**

DESCRIPTION

[52] U.S. Cl. **D28/93**

[58] Field of Search D28/9, 10, 39-43,
D28/92, 93, 99; 132/1 R, 5, 9, 50 R, 46 R-48 A,
52-54

FIG. 1 is a perspective view of a wig anchor embodying my new design;

FIG. 2 is a front elevational view thereof;

FIG. 3 is a right side elevational view thereof;

FIG. 4 is a top plan view thereof;

FIG. 5 is a rear elevational view thereof;

FIG. 6 is a left side elevational view thereof;

FIG. 7 is a bottom plan view thereof; and

FIG. 8 is a perspective of the anchor in closed position.

[56] References Cited

U.S. PATENT DOCUMENTS

D. 272,861 2/1984 Incando D28/93

D. 278,940 5/1985 Incando D28/93

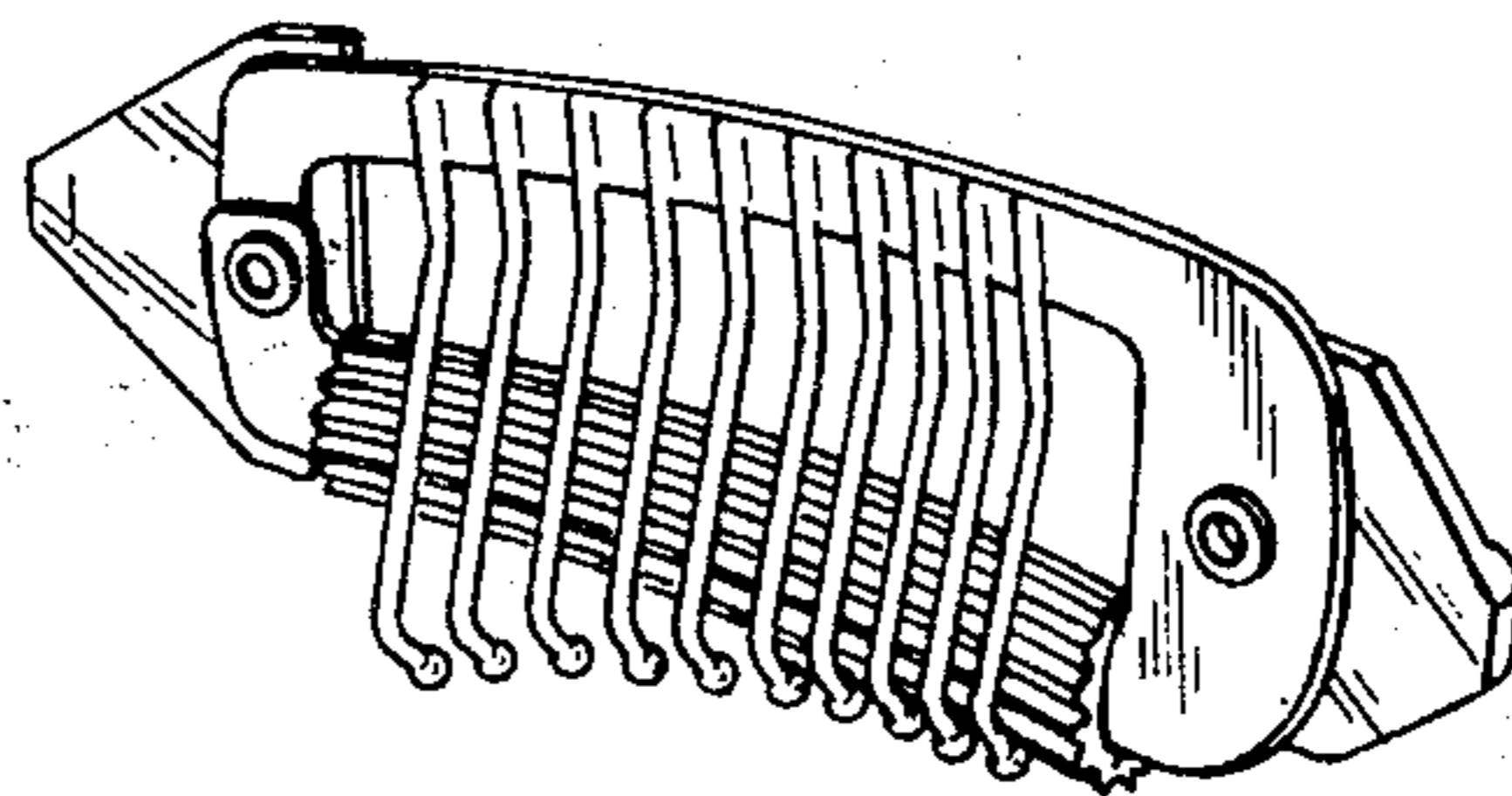
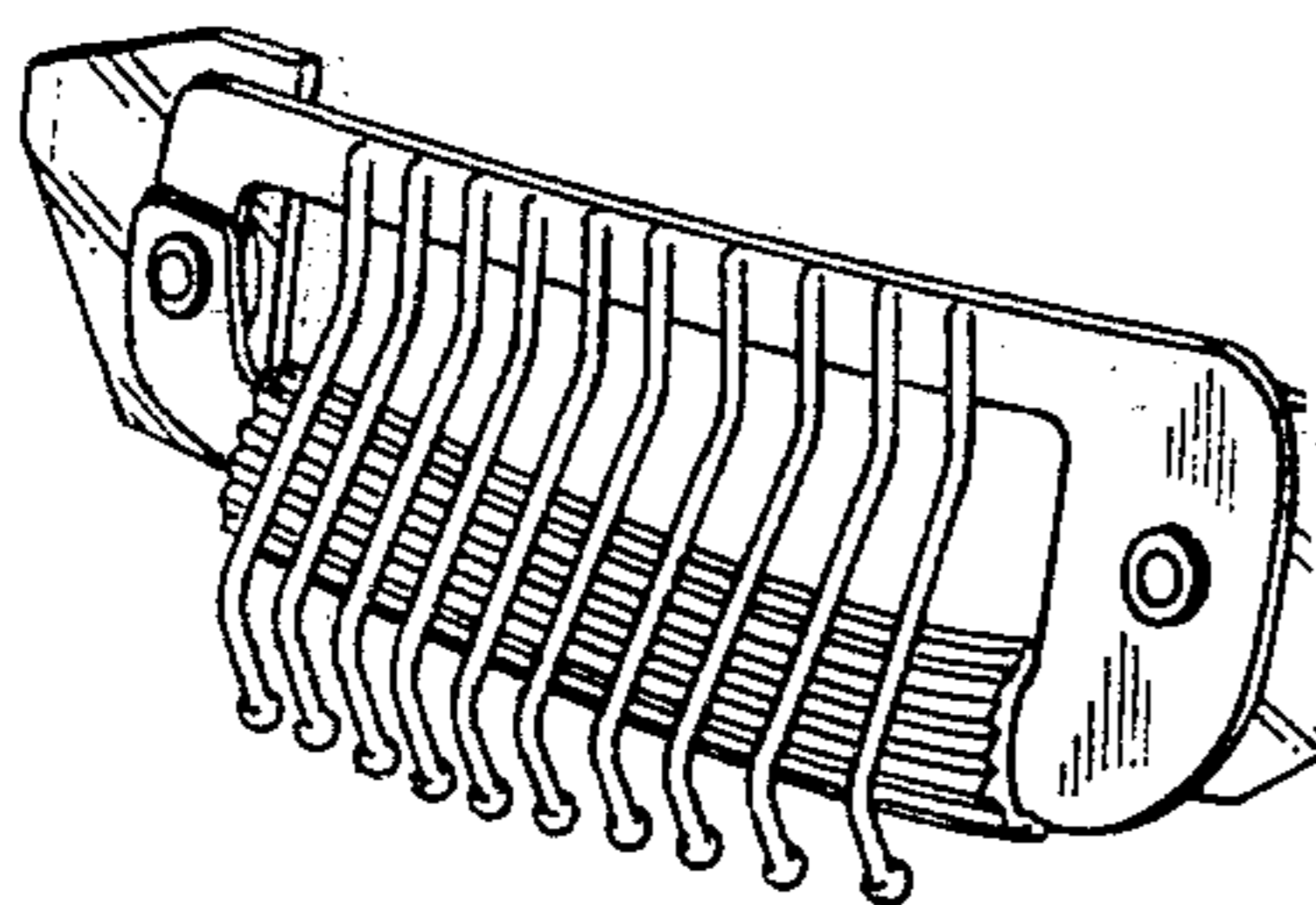


FIG. 1

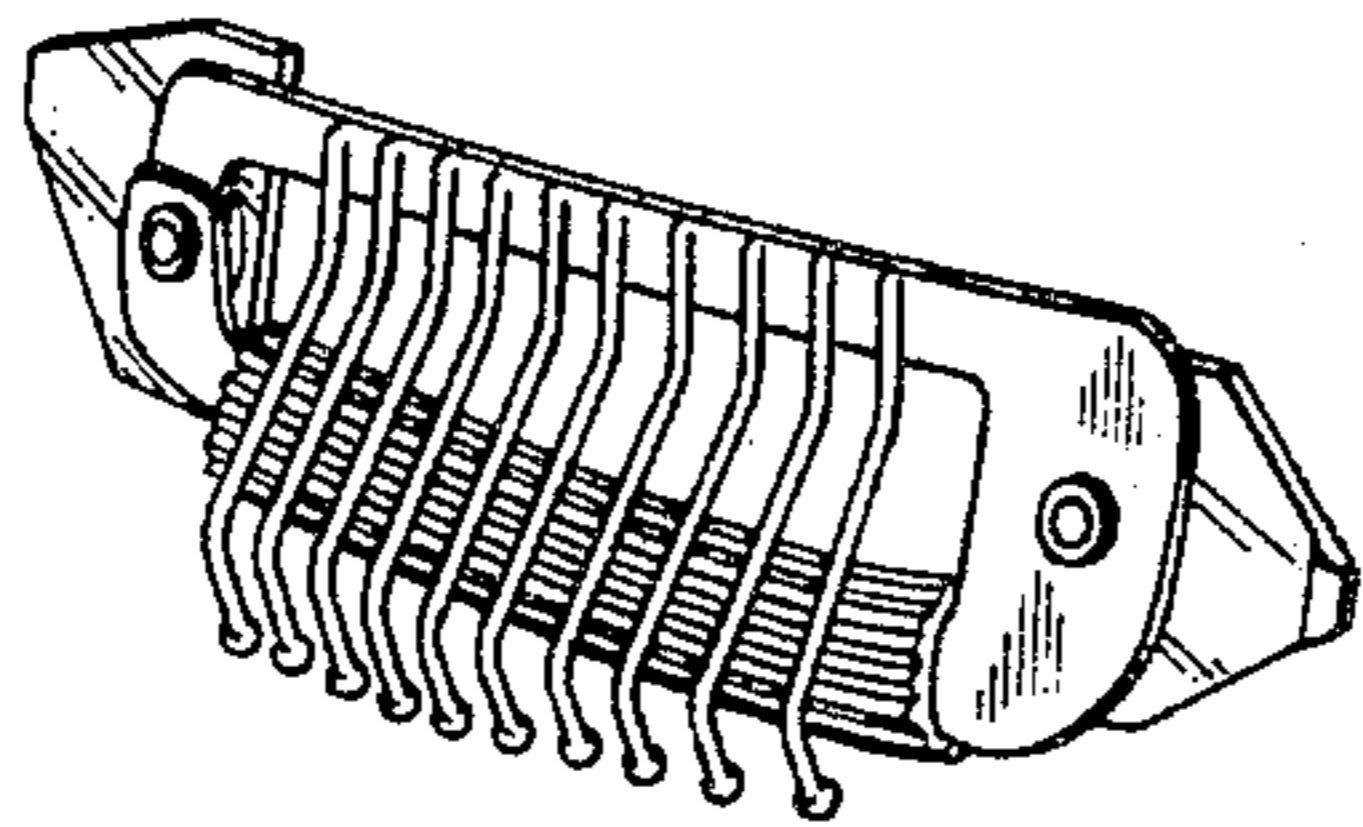


FIG. 2

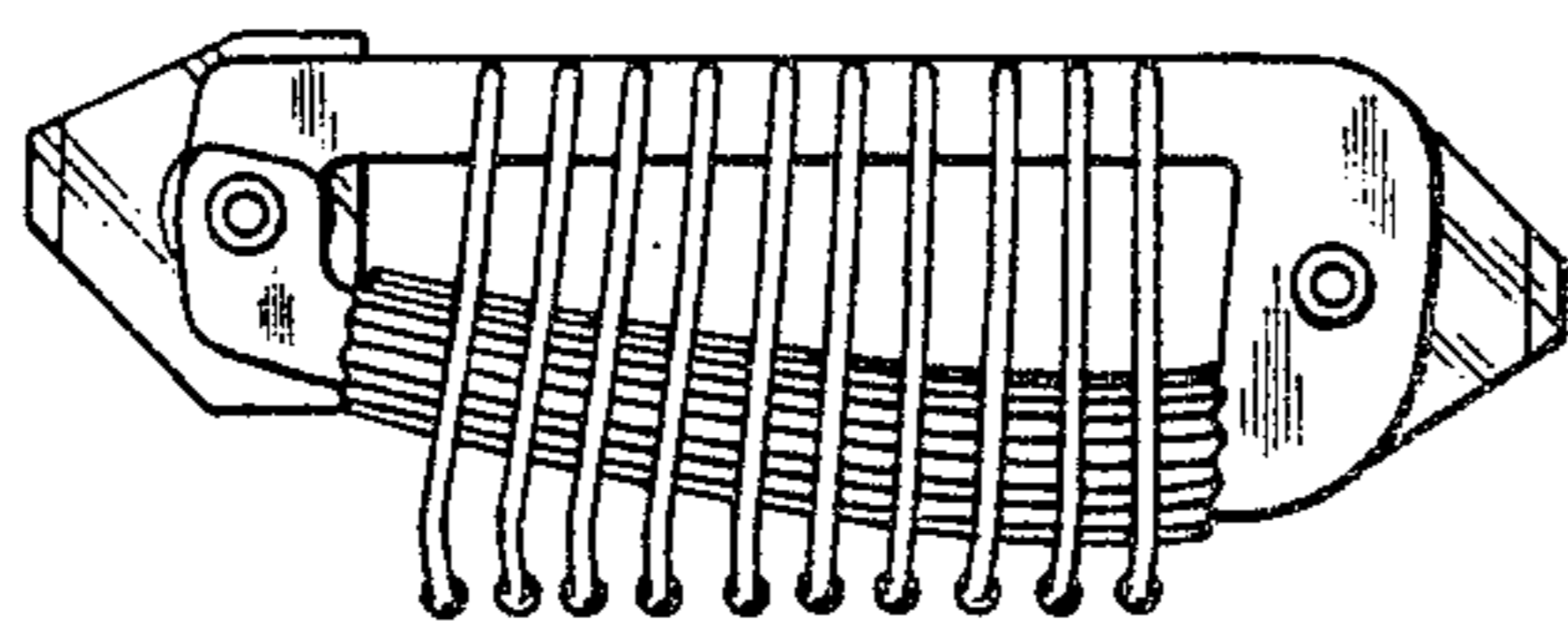


FIG. 3



FIG 4



FIG. 5

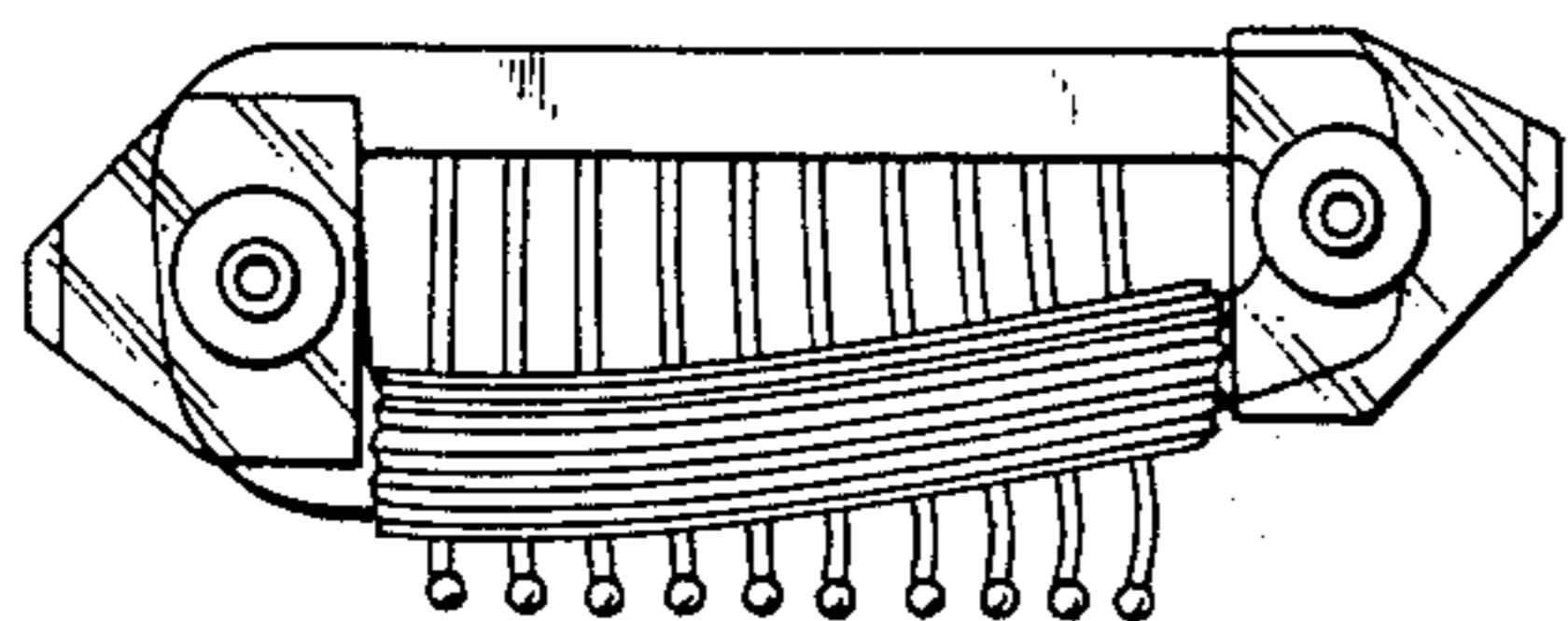


FIG. 6



FIG. 7

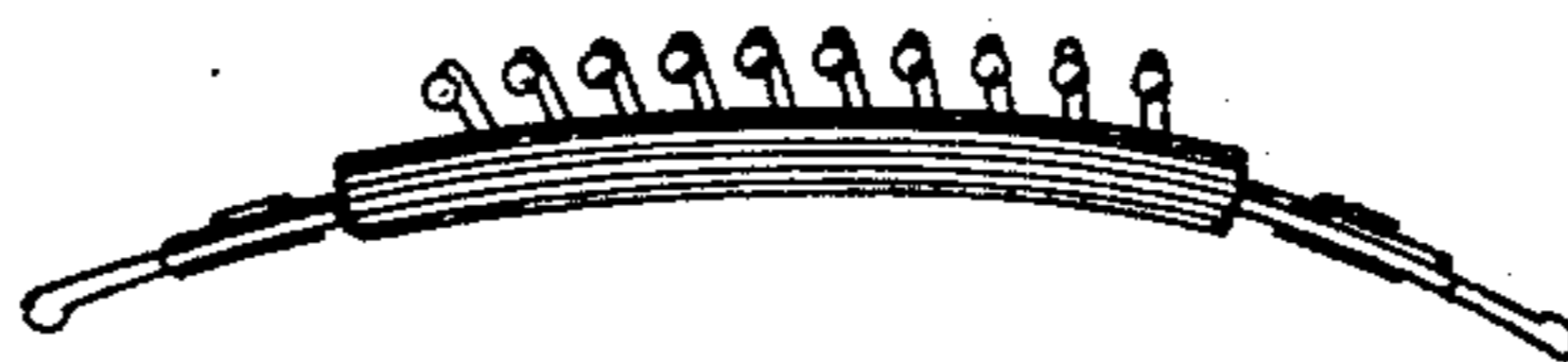


FIG. 8

