

[54] TORCH

[75] Inventor: Kung C. Hung, Tsuen Wan, Hong Kong

[73] Assignee: Freezinhot Bottle Company Limited, Tsuen Wan, Hong Kong

[**] Term: 14 Years

[21] Appl. No.: 589,004

[22] Filed: Mar. 13, 1984

[52] U.S. Cl. D26/49

[58] Field of Search D26/37-50;
362/157, 158, 183-208

[56] References Cited

U.S. PATENT DOCUMENTS

D. 136,756 11/1943 Barash D26/37

D. 240,551 7/1976 Brindley D26/49
D. 268,528 4/1983 Hung D26/49

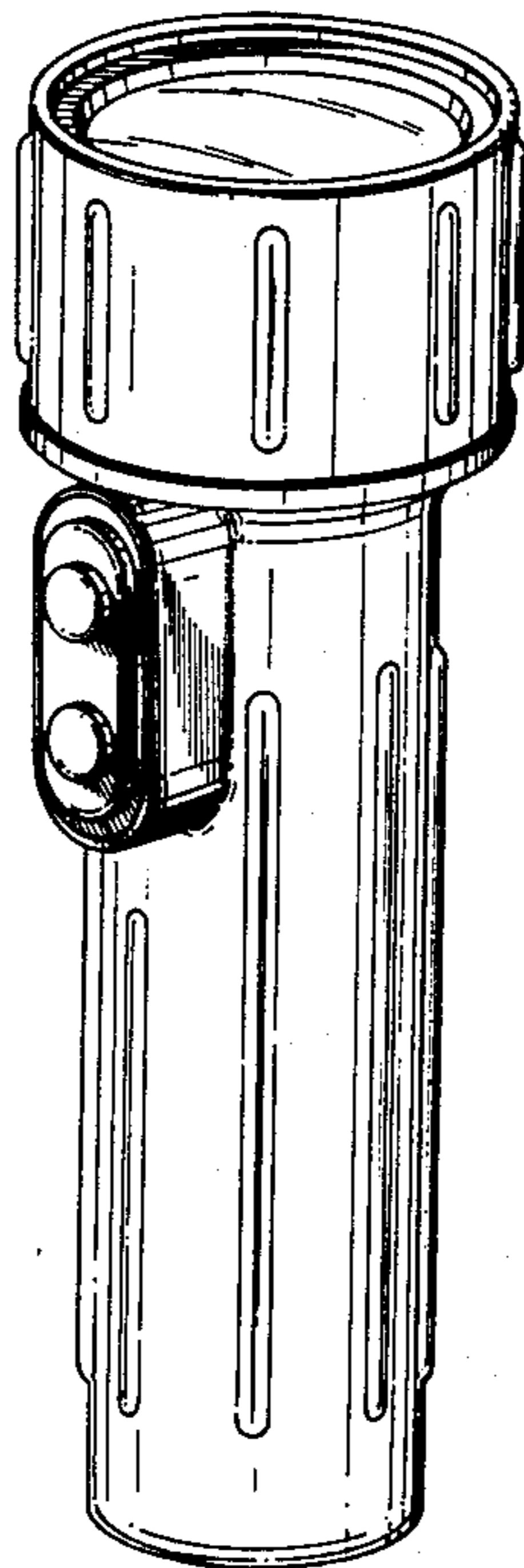
Primary Examiner—Susan J. Lucas
Attorney, Agent, or Firm—Oblon, Fisher, Spivak,
McClelland & Maier

[57] CLAIM

The ornamental design for a torch, as shown and described.

DESCRIPTION

FIG. 1 is a front perspective view of a torch showing my new design;
FIG. 2 is a top plan view thereof;
FIG. 3 is a bottom view thereof;
FIG. 4 is a front elevational view thereof;
FIG. 5 is a side elevational view thereof, the opposite side being a mirror image.



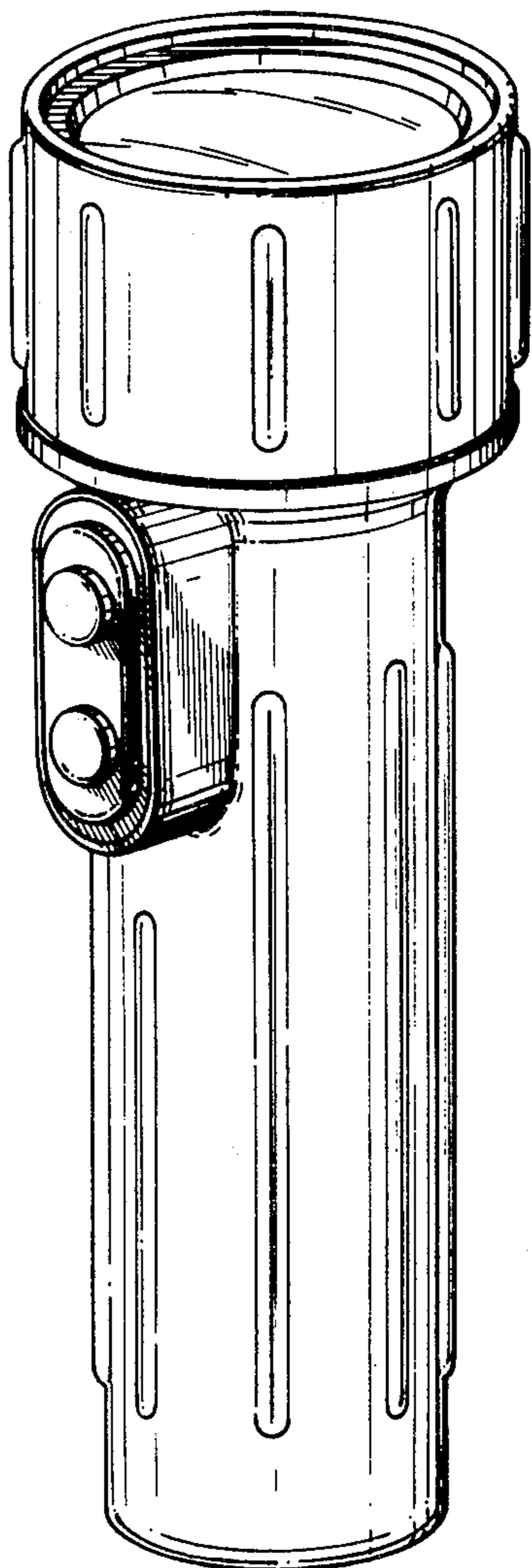


FIG. 1.

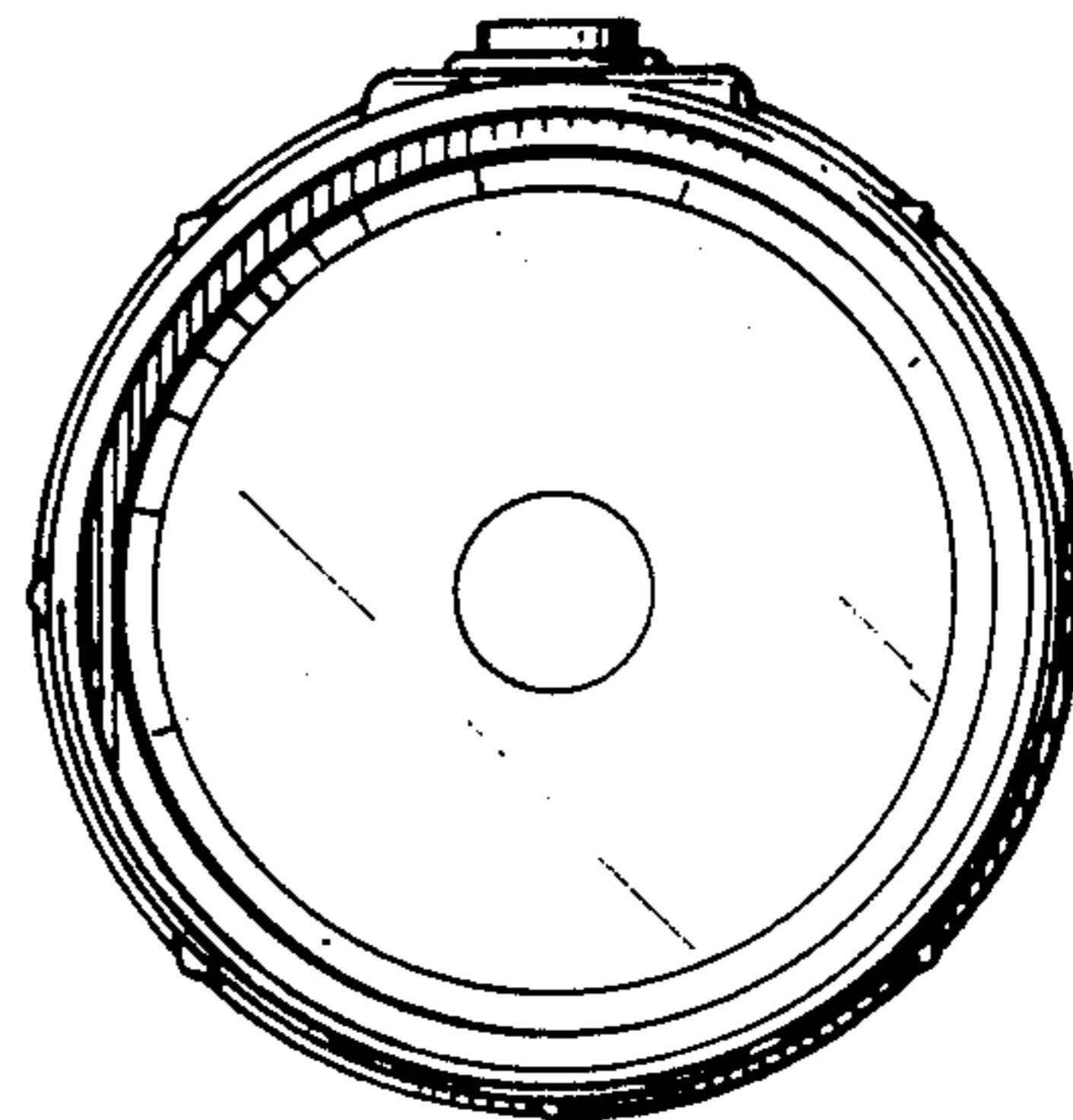


FIG. 2.

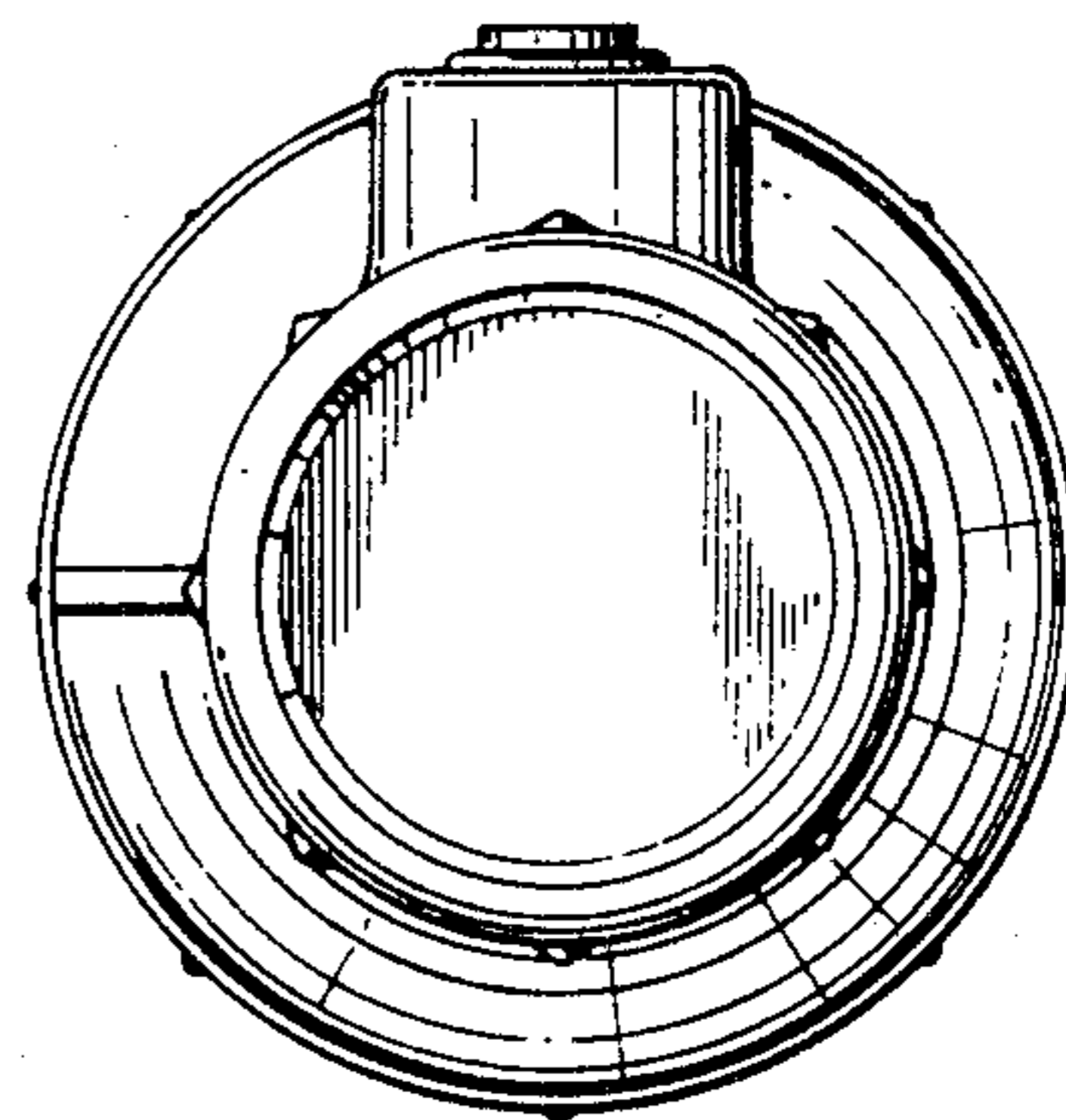


FIG. 3.

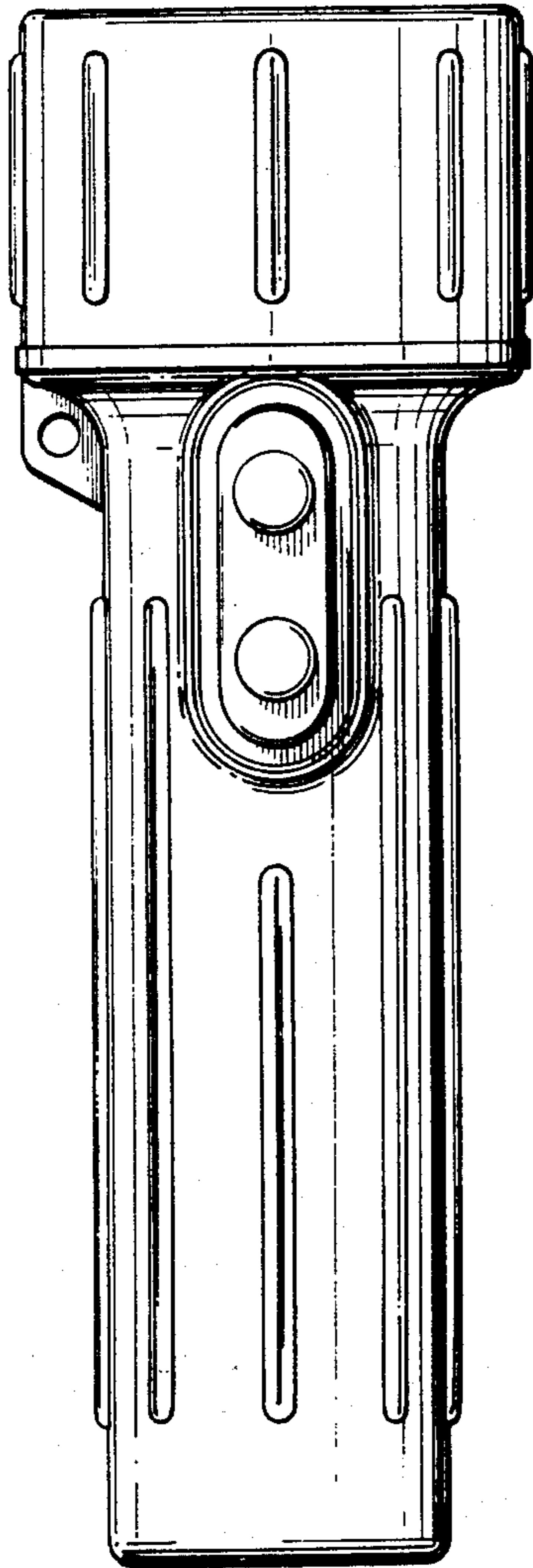


FIG. 4.

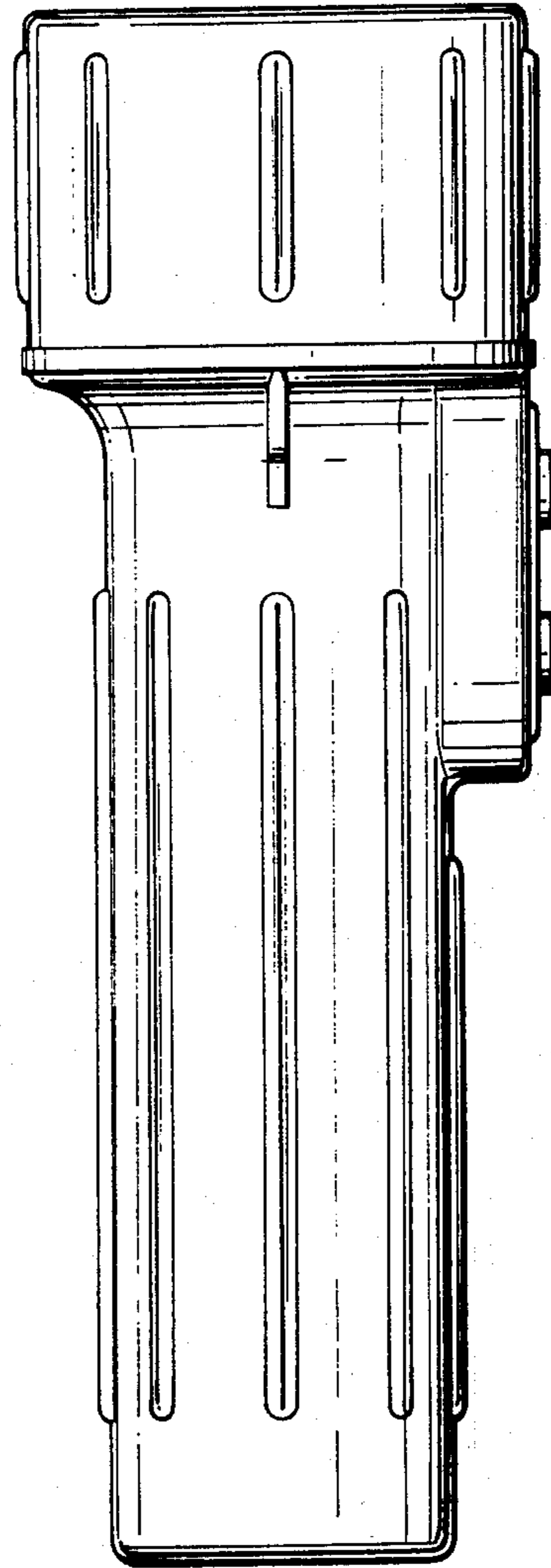


FIG. 5.