

[54] DECORATIVE LIGHT BULB FOR NIGHT LIGHT OR THE LIKE

[76] Inventor: Frank M. Saiza, 1241 Bend St., Madera, Calif. 93637

[\*\*] Term: 14 Years

[21] Appl. No.: 652,912

[22] Filed: Sep. 21, 1984

[52] U.S. Cl. .... D26/4

[58] Field of Search ..... D26/1, 2, 3, 4, 26; 313/313, 315, 317, 318, 113, 114, 116; 315/52, 53, 56, 57, 58, 59

[56] References Cited

U.S. PATENT DOCUMENTS

2,075,744	3/1937	Muramatsu	.....	D26/4	X
2,862,147	11/1958	Conti	.....	313/315	X
3,222,567	12/1965	Smith	.....	313/113	X
3,889,154	6/1975	Thouret et al.	.....	D26/2	X

OTHER PUBLICATIONS

Aerolux Light Corp. Brochure, 1939, p. 3, Electric Bulb #RA-551 (sailboat).

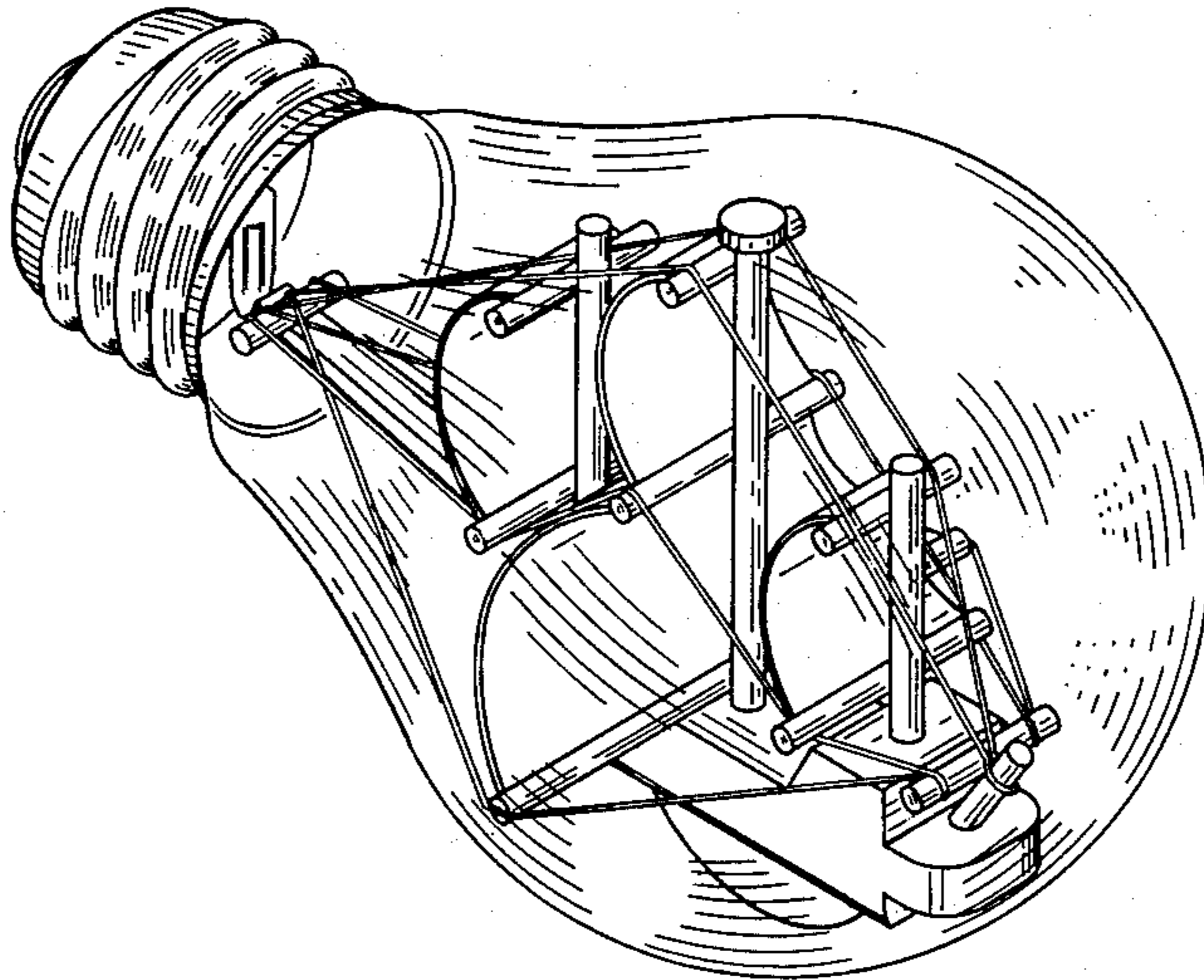
Primary Examiner—Susan J. Lucas  
Attorney, Agent, or Firm—Worrel & Worrel

[57] CLAIM

The ornamental design for a decorative light bulb for night light or the like, as shown and described.

DESCRIPTION

FIG. 1 is a perspective view of the decorative light bulb for night light or the like showing my new design; FIG. 2 is a top plan view thereof; FIG. 3 is a bottom plan view thereof; FIG. 4 is a side elevational view thereof; FIG. 5 is an opposite side elevational view thereof; FIG. 6 is a front elevational view thereof; FIG. 7 is a rear elevational view thereof.



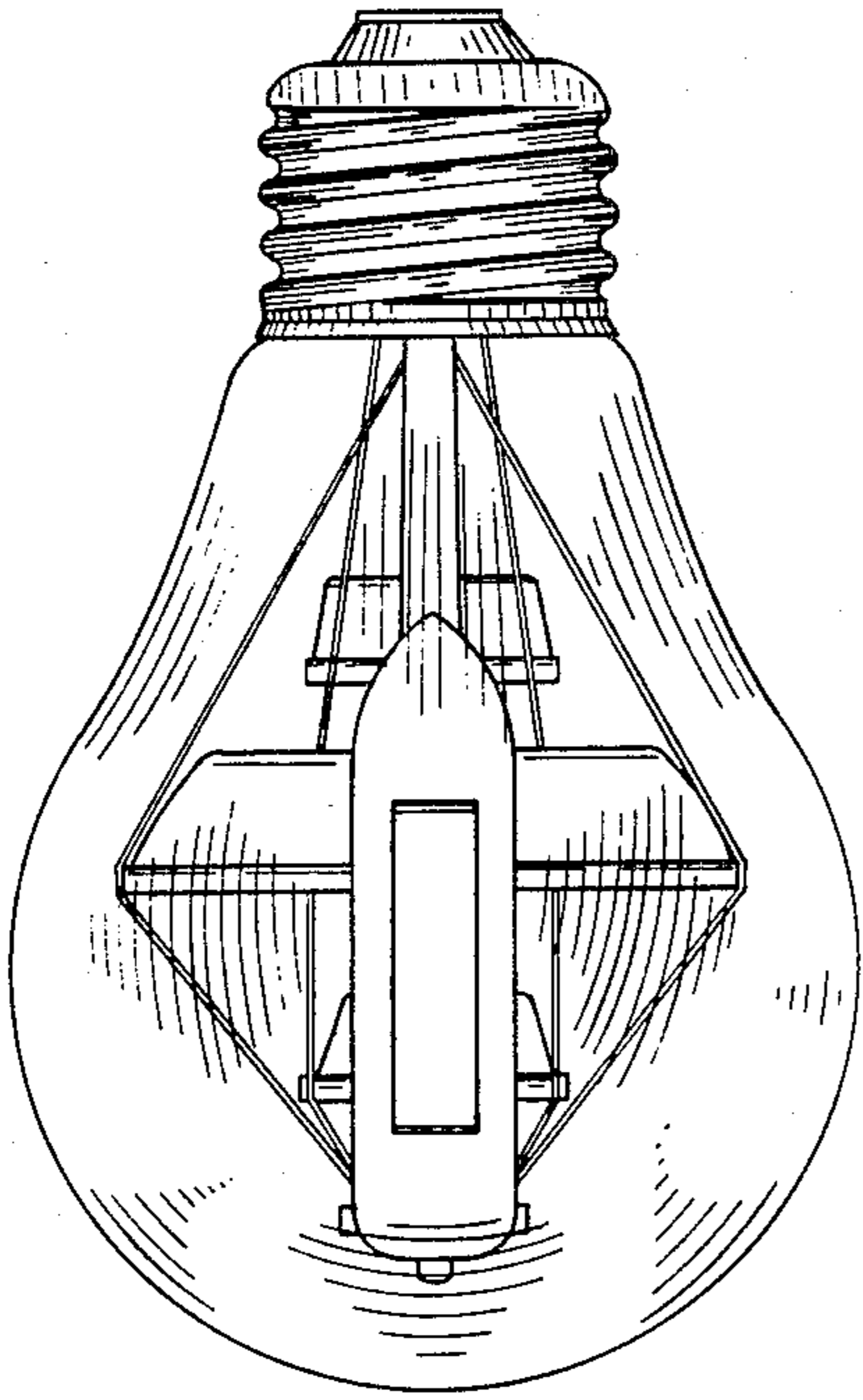


FIG. 3

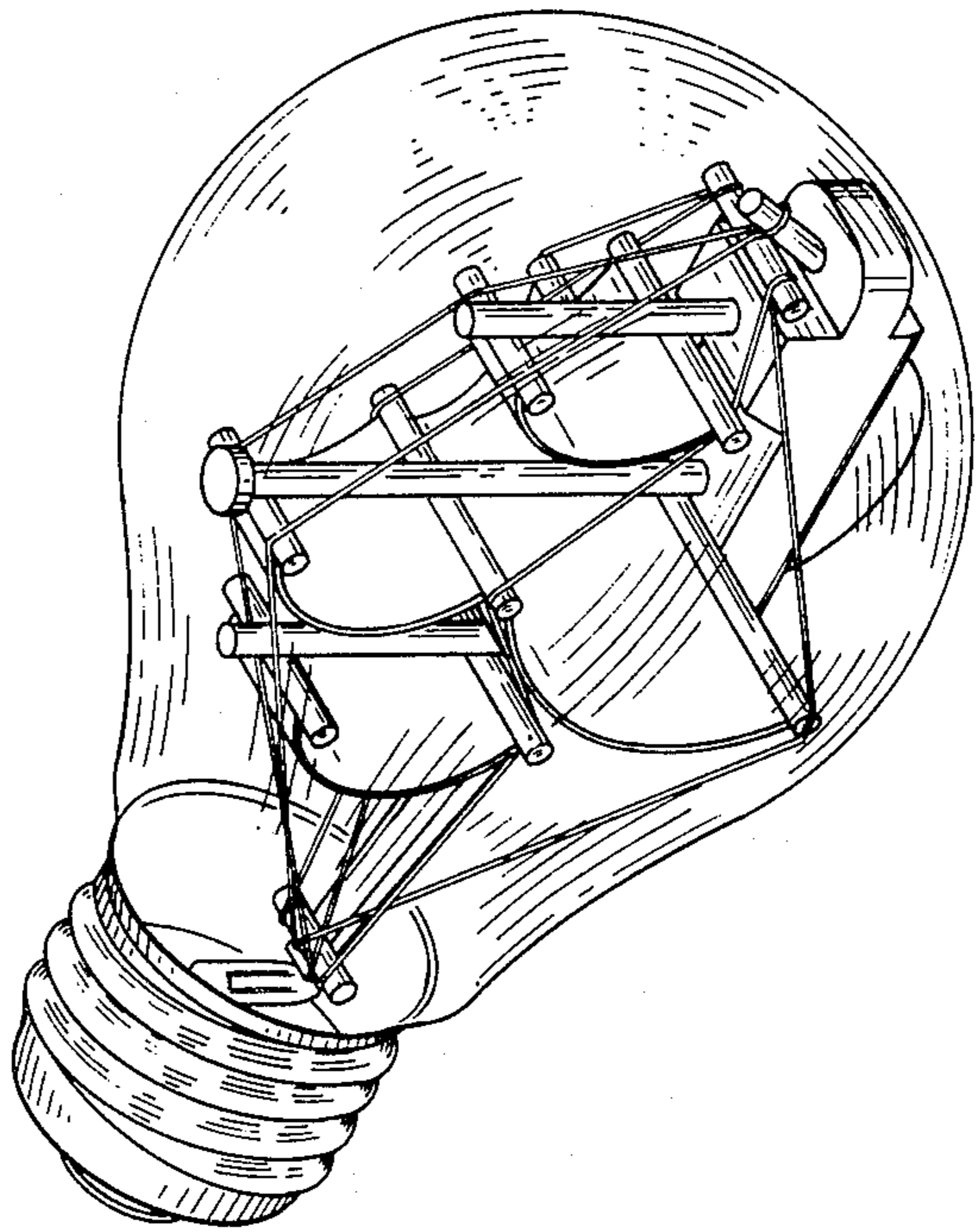


FIG. 1

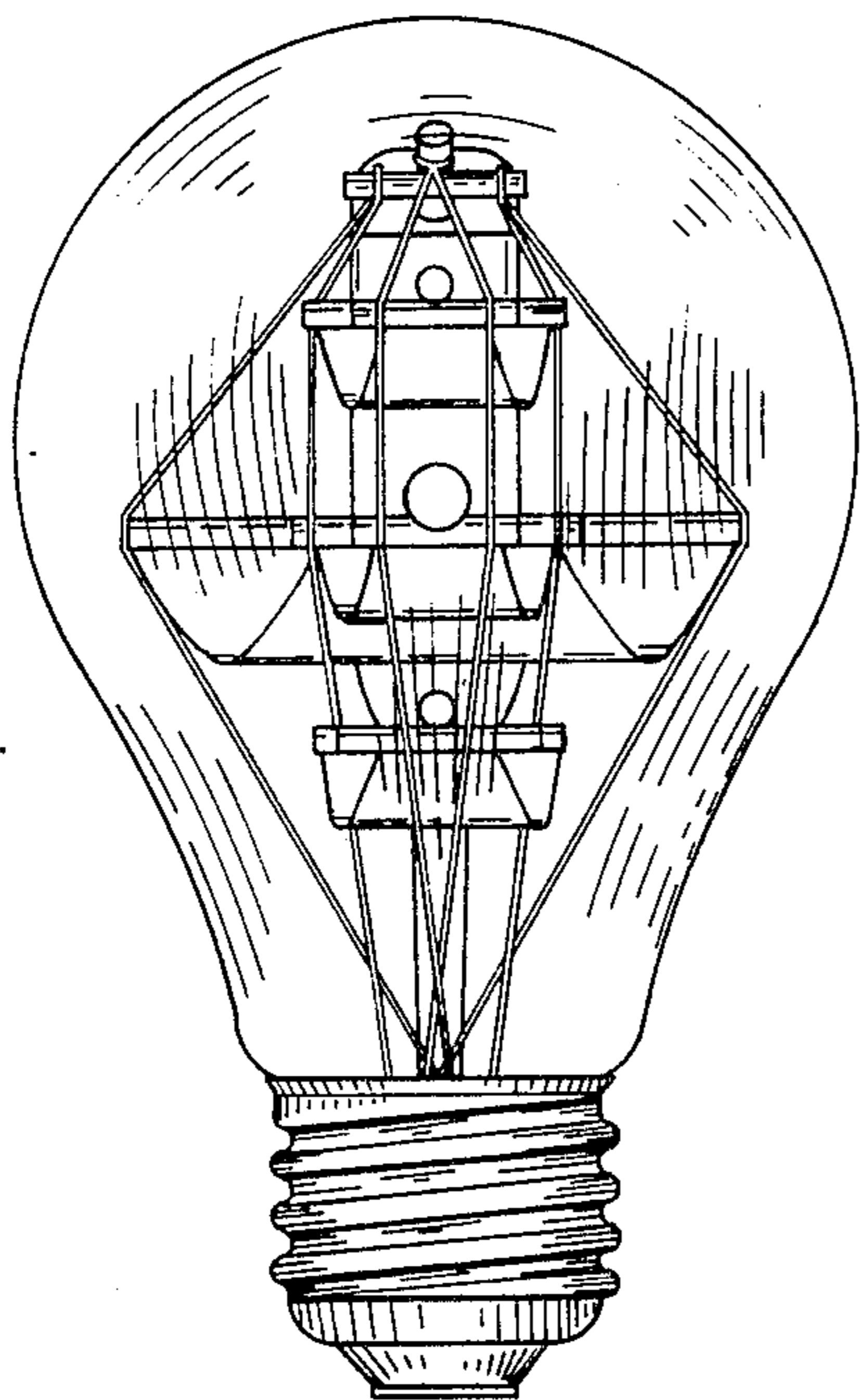


FIG. 2

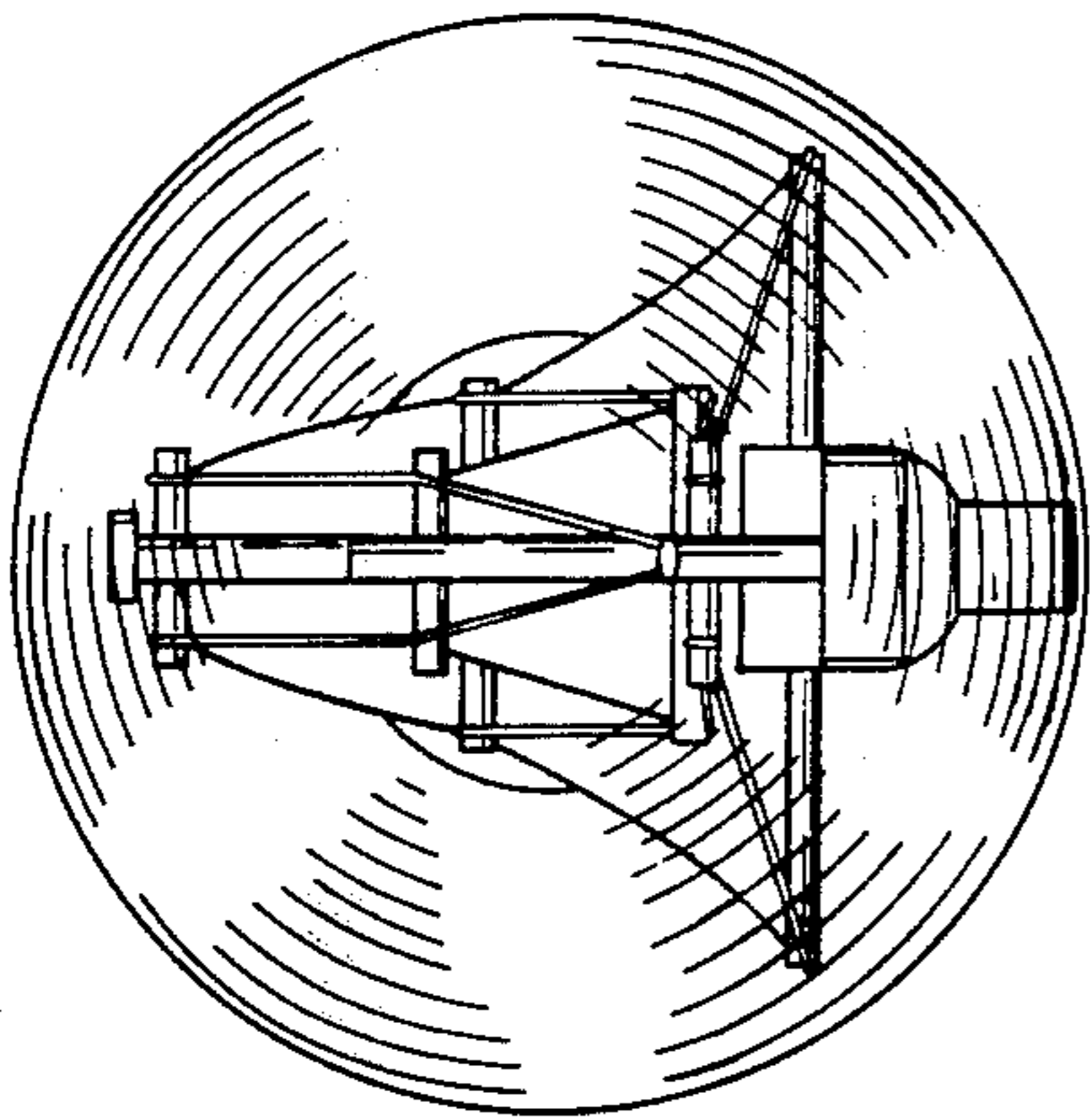


FIG. 6

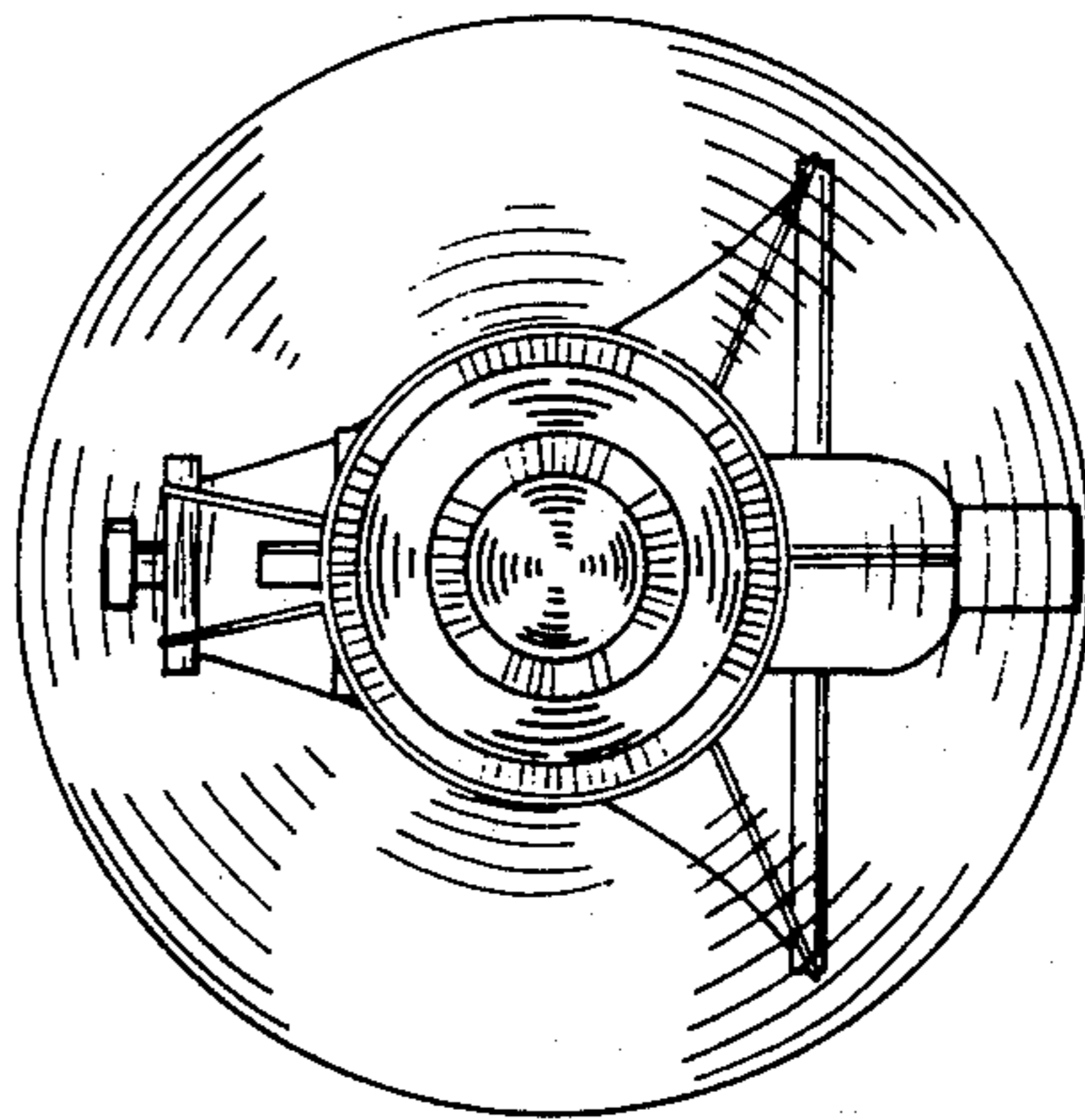


FIG. 7

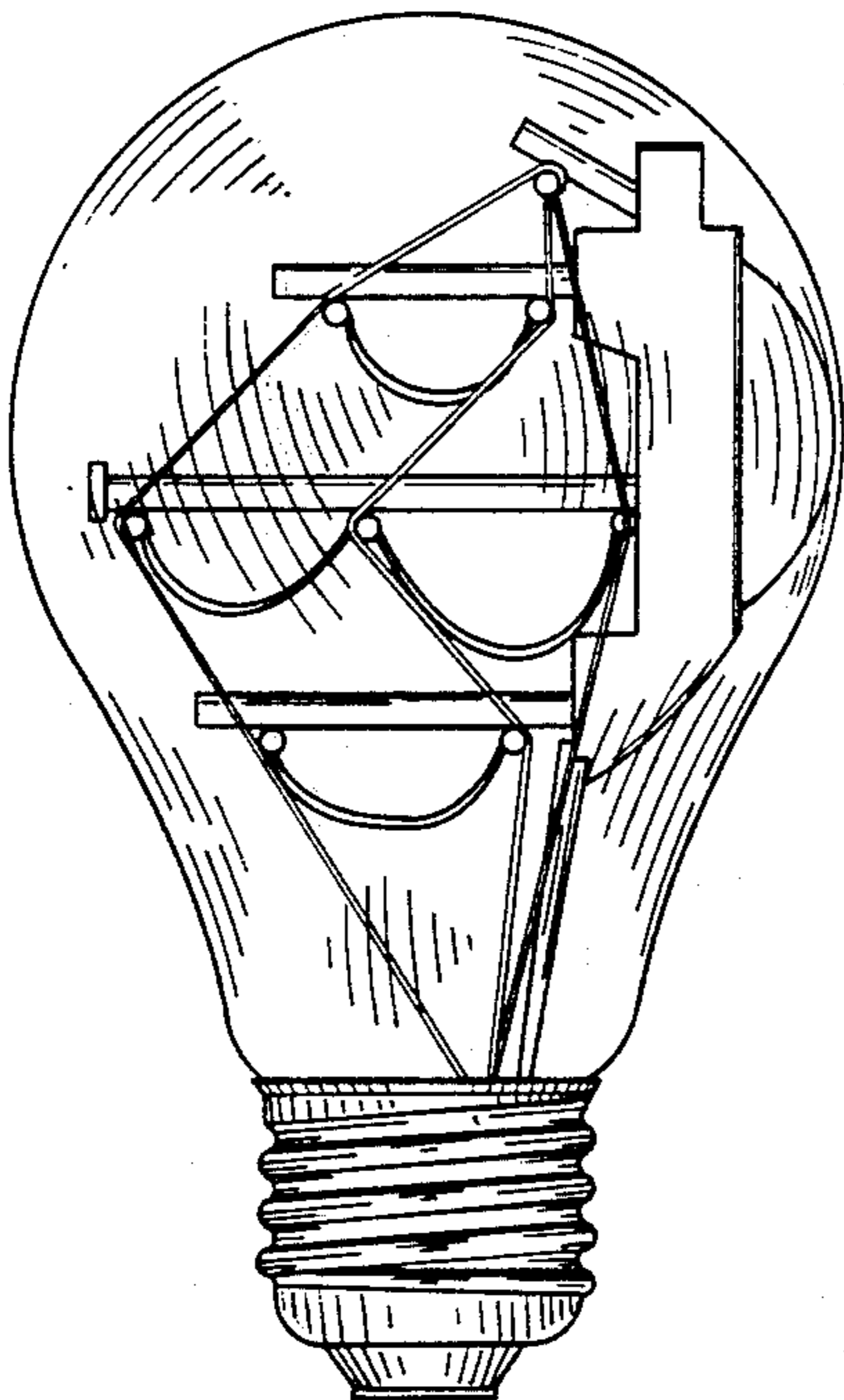


FIG. 5

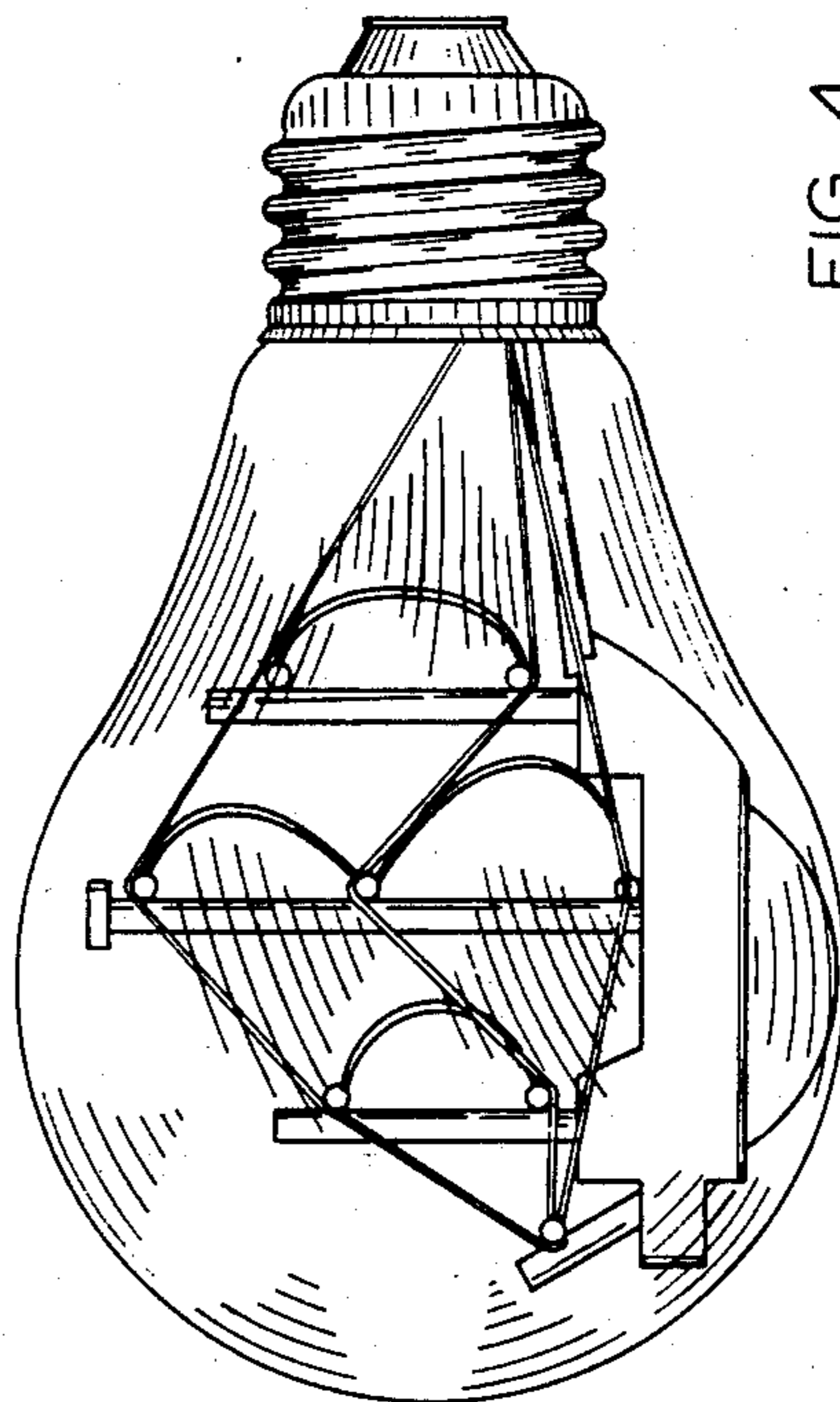


FIG. 4