

[54] **WHIRLPOOL BATH TUB**

[75] Inventors: **Ralph D'Innocente**, Walnut Creek;
Larry Drasin, Los Angeles, both of Calif.

[73] Assignee: **Jacuzzi Inc.**, Little Rock, Ark.

[**] Term: **14 Years**

[21] Appl. No.: **804,806**

[22] Filed: **Dec. 4, 1985**

[52] U.S. Cl. **D24/38; D23/55; D24/36**

[58] Field of Search **D24/38, 36; D23/55, D23/56, 49; 128/369, 66; 4/538, 546, 548, 552, 559, 560, 576, 580, 584, 566, 579, 488, 513, 568, 590; D25/2**

[56] **References Cited**

U.S. PATENT DOCUMENTS

D. 214,902	8/1969	Goodall	D23/55
D. 219,215	11/1970	Korol	D23/55
D. 244,452	5/1977	Ohshiro	D25/2
D. 254,870	4/1980	Ogden	D24/38
D. 264,628	5/1982	Longmire	D24/38
D. 265,345	7/1982	Doman	D24/38
D. 265,582	7/1982	Kohler, Jr.	D23/55
D. 265,922	4/1982	Jaspersen	D23/55
D. 269,460	6/1983	Kohler, Jr.	D24/38
D. 275,597	9/1984	Lax	D23/55
2,534,147	12/1950	Rodman .	
3,421,162	1/1969	Diamond et al. .	
3,428,969	2/1969	Diamond et al. .	

3,641,593 2/1972 Goettl .
4,316,294 2/1982 Baldwin 4/538 X

OTHER PUBLICATIONS

House and Home Magazine, Jul. 1968, p. 110, Baths, Ultra Modern Tub.

Venetian Marble Co. of Southern California, Inc., Catalog, p. 7, Venus Tub, and "Some Suggested Uses for Venus, Large or Small Roman Tub".

Villeroy & Bock, Keromische Werke KG, Mettlach, Federal Republic of Germany, Catalog, cover sheet and p. 15 Naoko Bath Tub.

Primary Examiner—A. Hugo Word

Assistant Examiner—Stella M. Reid

Attorney, Agent, or Firm—Limbach, Limbach & Sutton

[57] **CLAIM**

The ornamental design for a whirlpool bath tub, as shown and described.

DESCRIPTION

FIG. 1 is a perspective view of a whirlpool bath tub showing our new design;

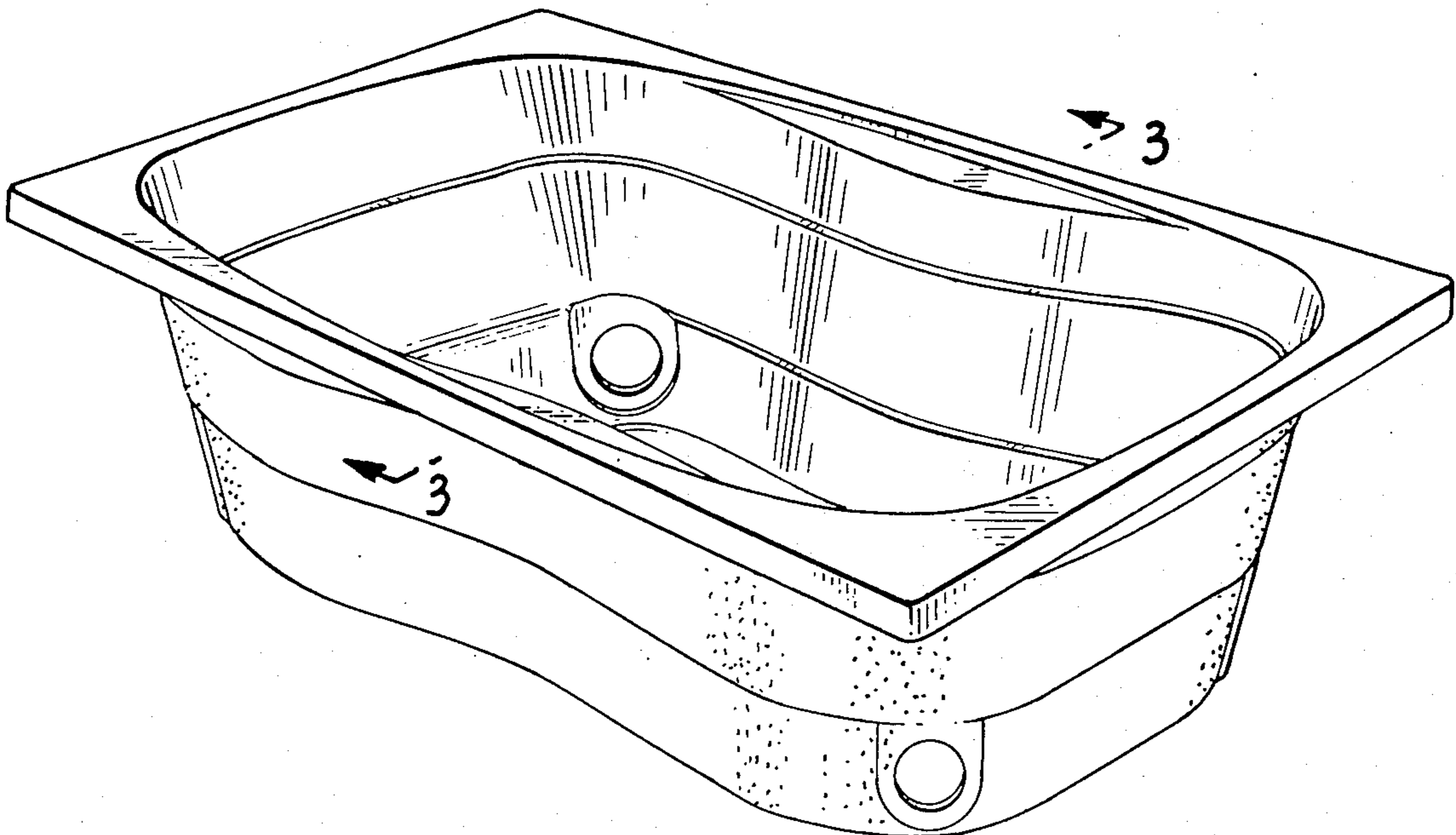
FIG. 2 is a top plan view thereof;

FIG. 3 is a cross-sectional view, taken on line 3—3 of FIG. 1;

FIG. 4 is a cross-sectional view, taken on line 4—4 of FIG. 3; and

FIG. 5 is a cross-sectional view, taken on line 5—5 of FIG. 3.

The stippled shading on the inside bottom of the tub represents a contrasting surface and is understood to cover the entire dash outline area.



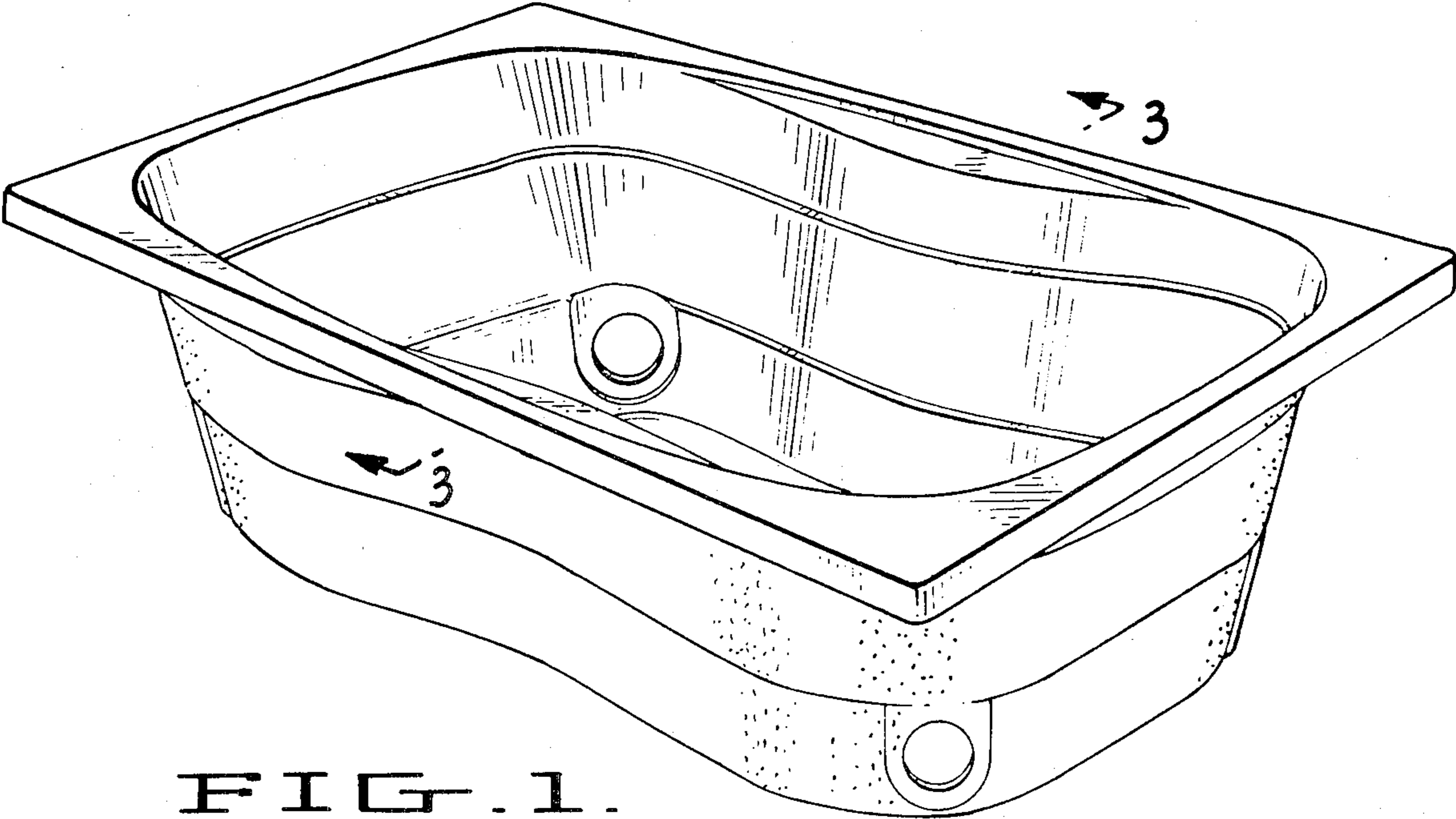


FIG. 1.

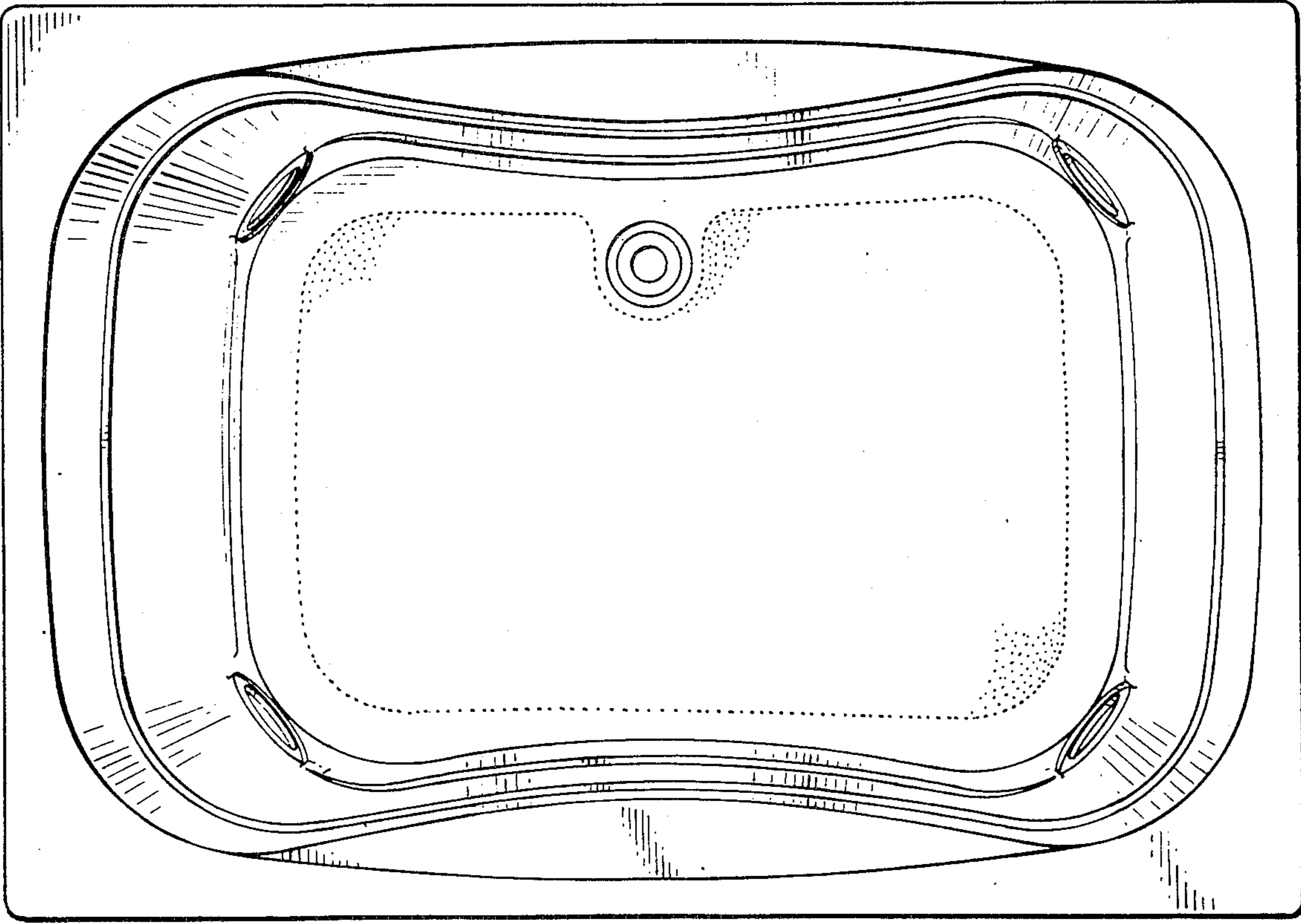


FIG. 2.

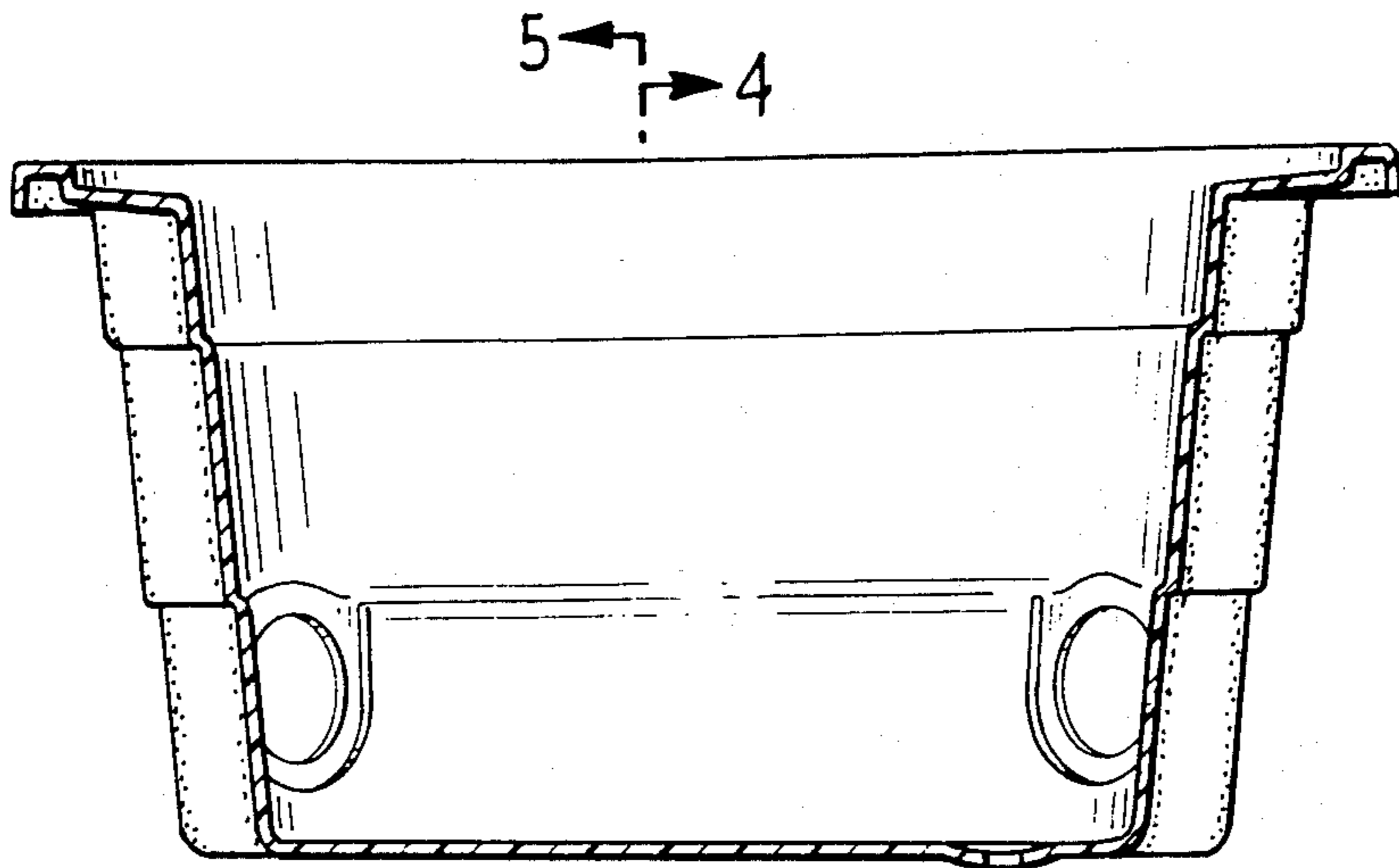


FIG. 3.

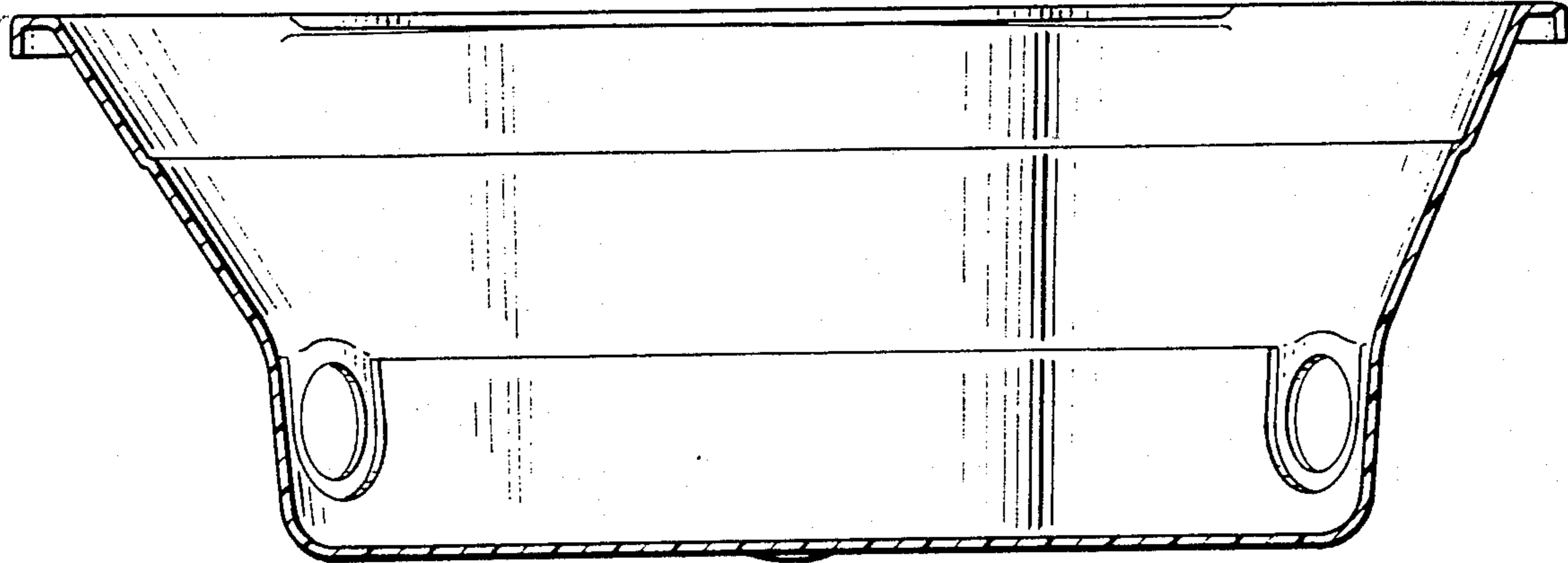


FIG. 4.

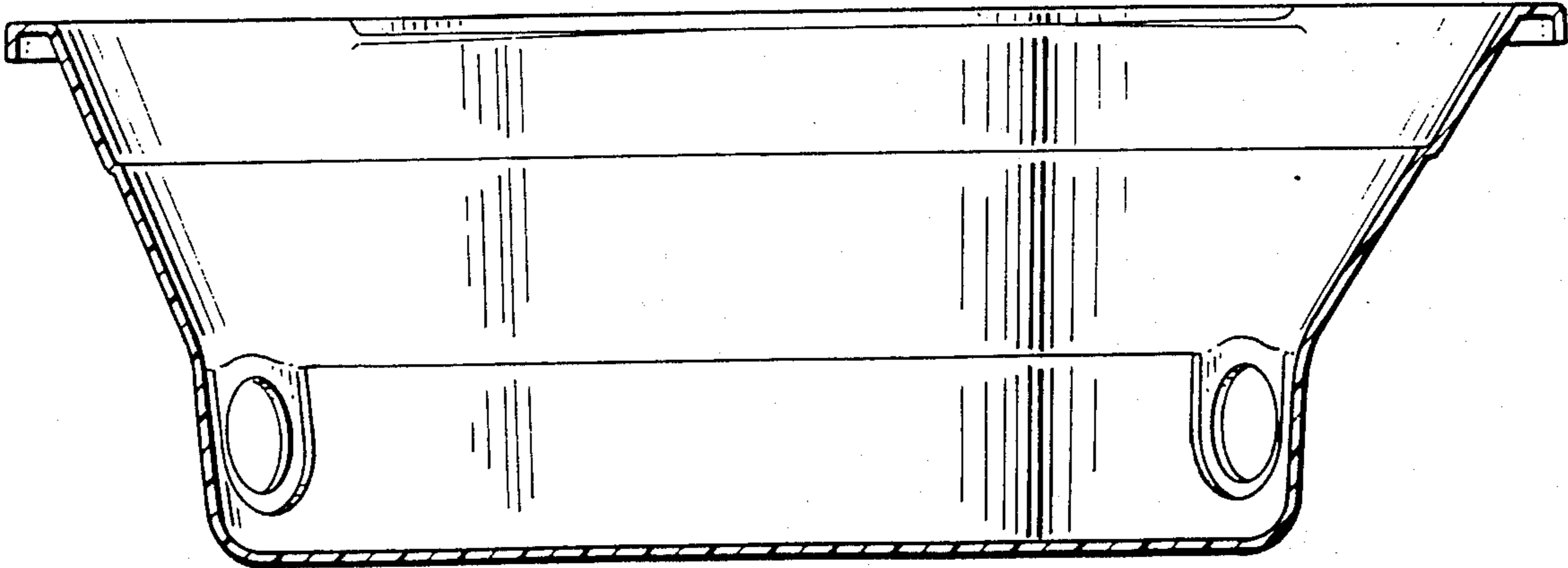


FIG. 5.