

[54] SPA

[76] Inventor: Willijan P. Remeyer, 23034 Lake Forest Dr., Ste. A, Laguna Hills, Calif. 92653

[\*\*] Term: 14 Years

[21] Appl. No.: 583,721

[22] Filed: Feb. 27, 1984

[52] U.S. Cl. .... D24/38

[58] Field of Search ..... D24/38, 36; D25/2; D23/55, 56; 4/488, 492, 506, 513, 541, 542, 590, 592, 597, 611-614

[56] References Cited

U.S. PATENT DOCUMENTS

D. 254,688	4/1980	Reineman	.....	D24/38
D. 274,835	7/1984	Gruber	.....	D24/38 X
4,443,900	4/1984	Remeyer	.....	4/488 X

OTHER PUBLICATIONS

Sweets Catalog File, ©1981, Malibu Whirlpool Spa at bottom of page, p. 15.7/AM.

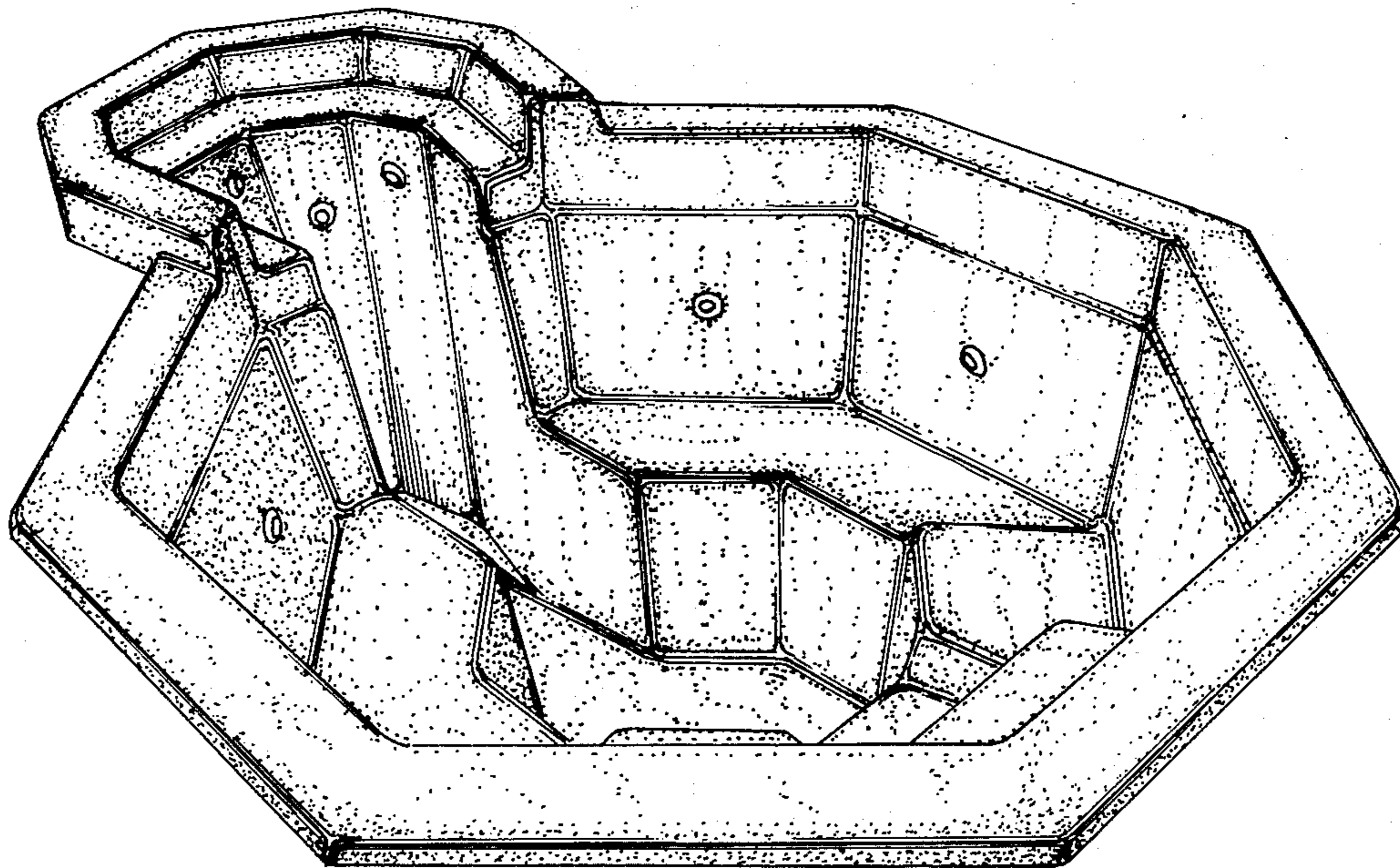
Primary Examiner—A. Hugo Word  
Assistant Examiner—Stella M. Reid  
Attorney, Agent, or Firm—Georges A. Maxwell

[57] CLAIM

The ornamental design for a spa, as shown and described.

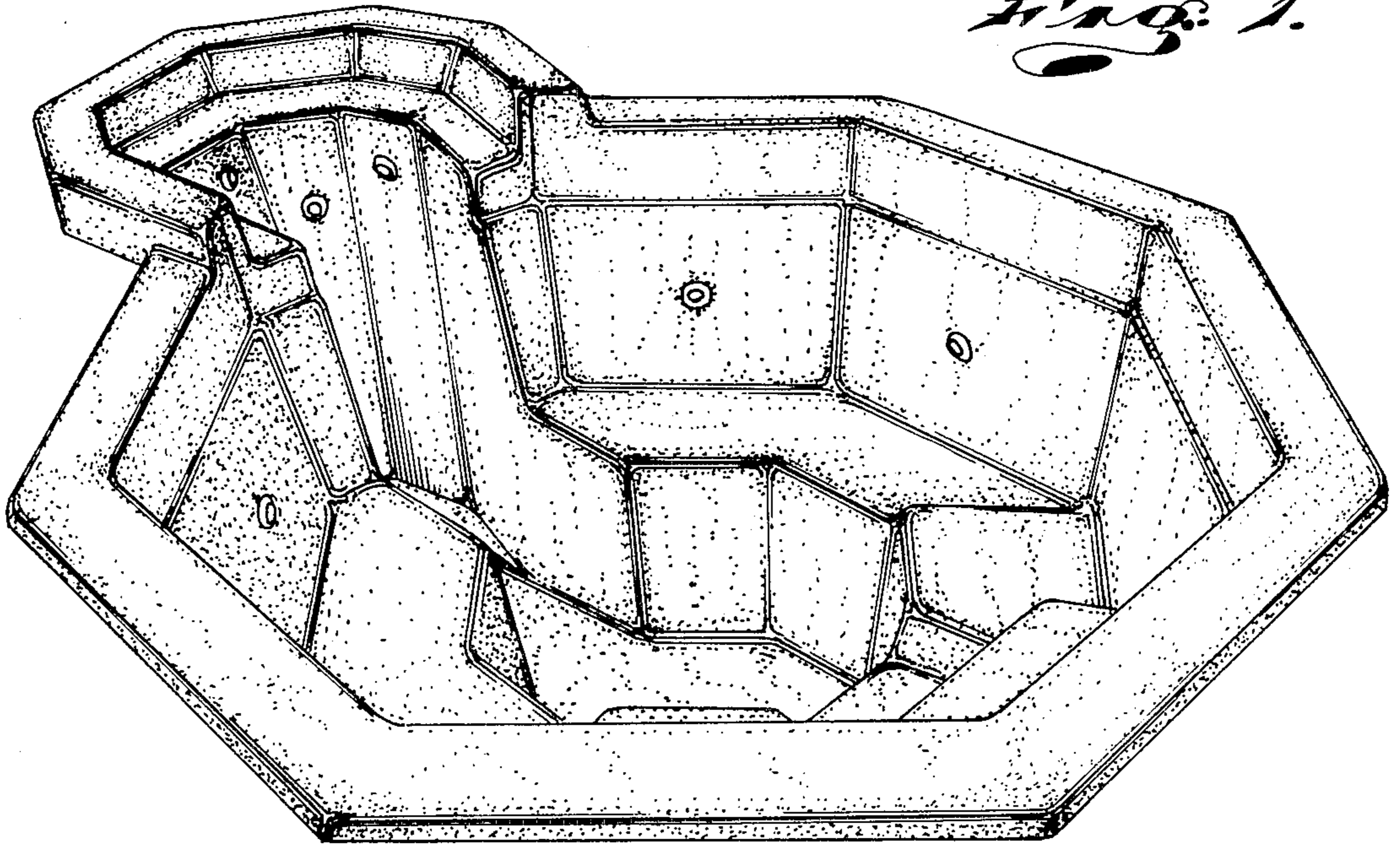
DESCRIPTION

FIG. 1 is a top perspective view of a spa showing my new design;  
FIG. 2 is a top plan view thereof;  
FIG. 3 is a bottom plan view thereof;  
FIG. 4 is a side elevational view thereof;  
FIG. 5 is a front elevational view thereof; and  
FIG. 6 is a rear elevational view thereof.

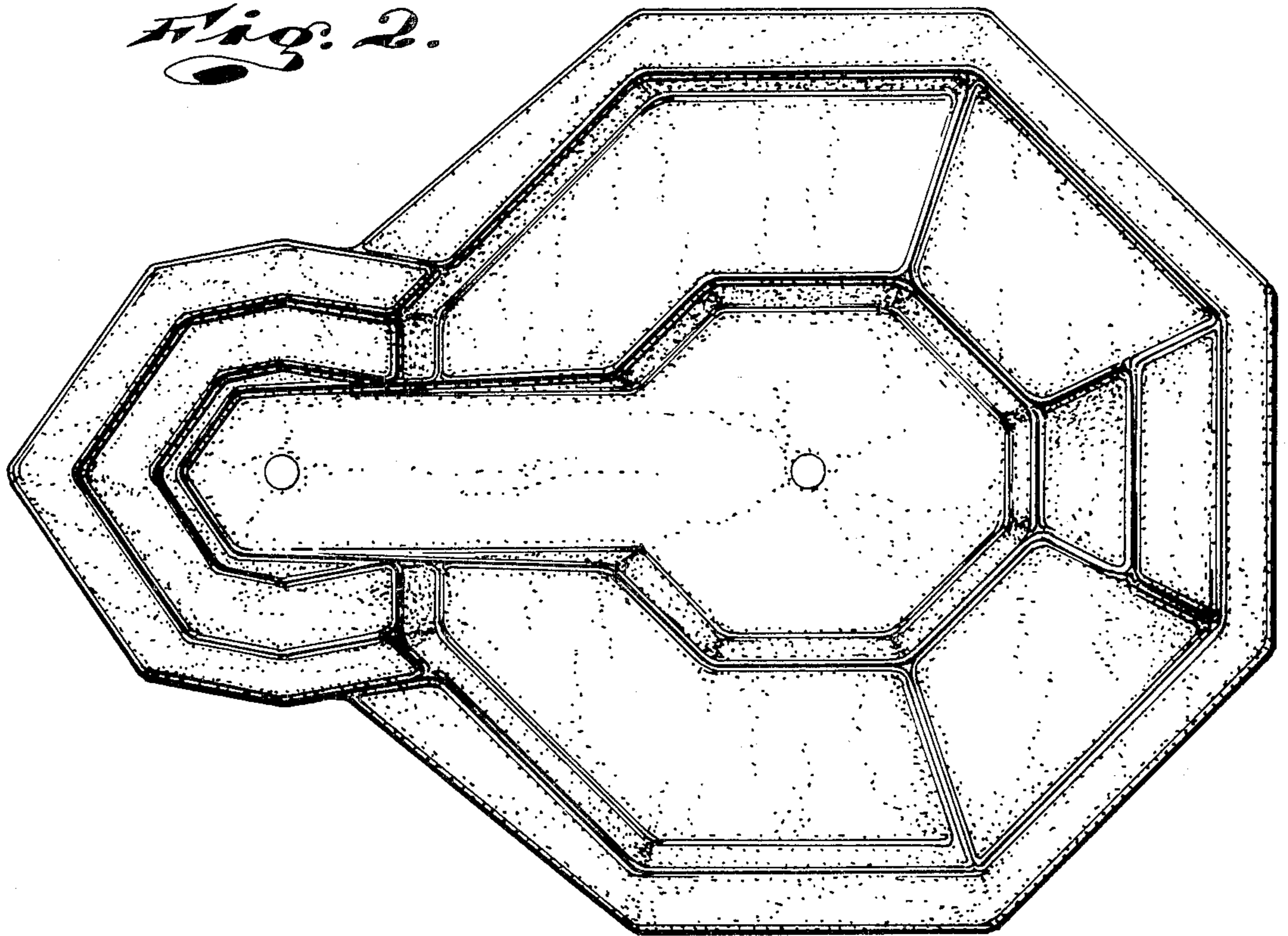




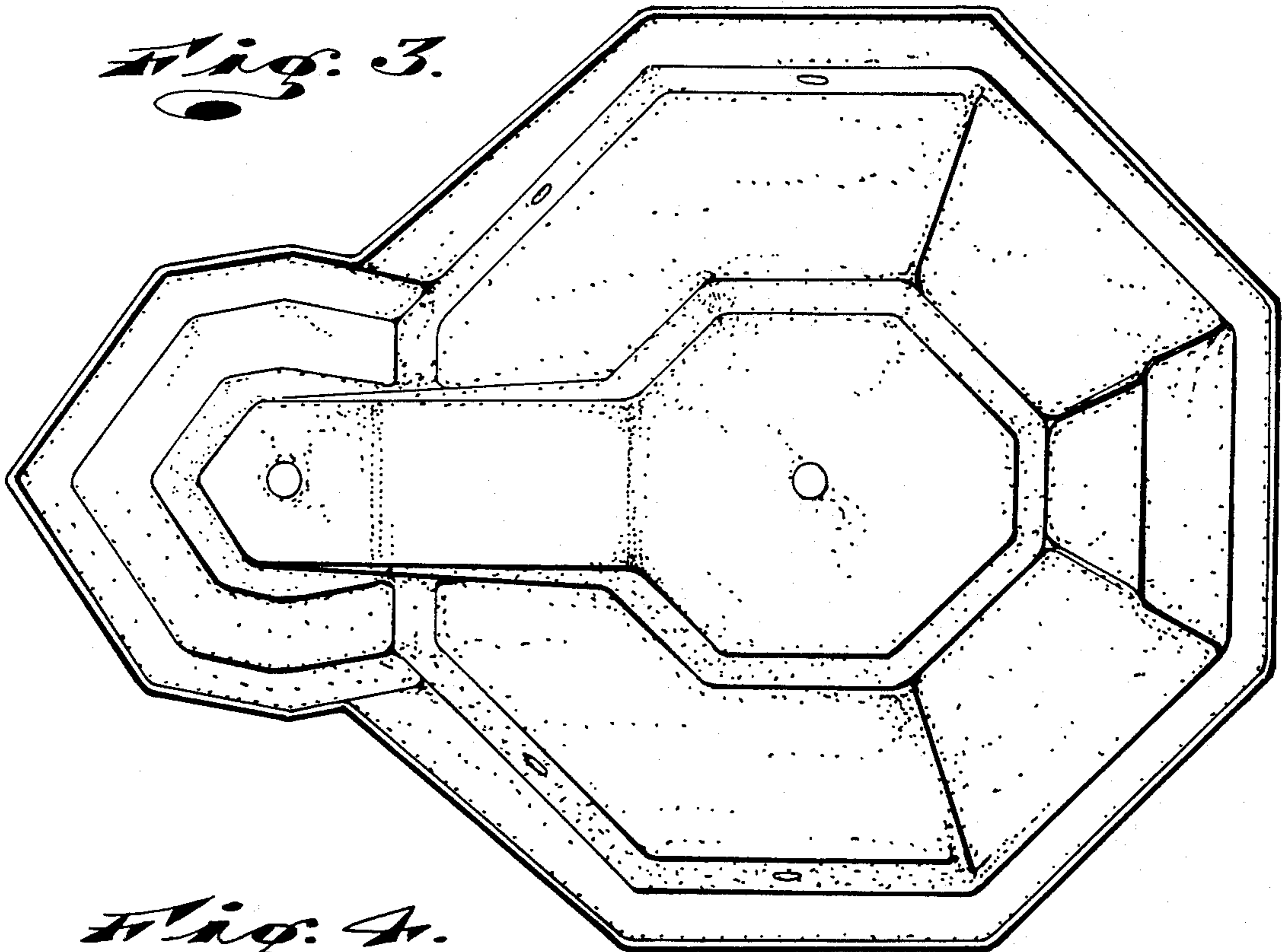
*Fig. 1.*



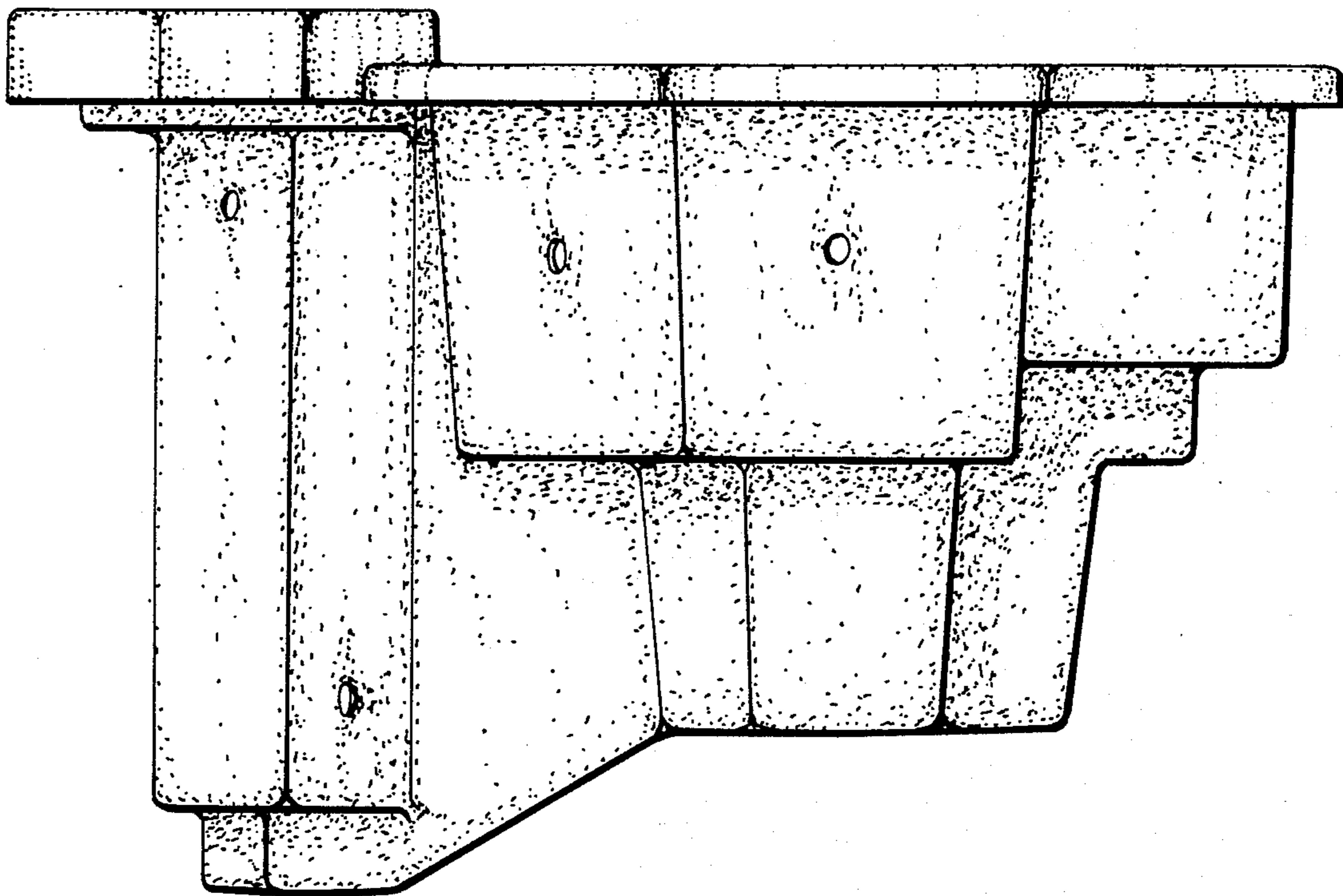
*Fig. 2.*



*Fig. 3.*

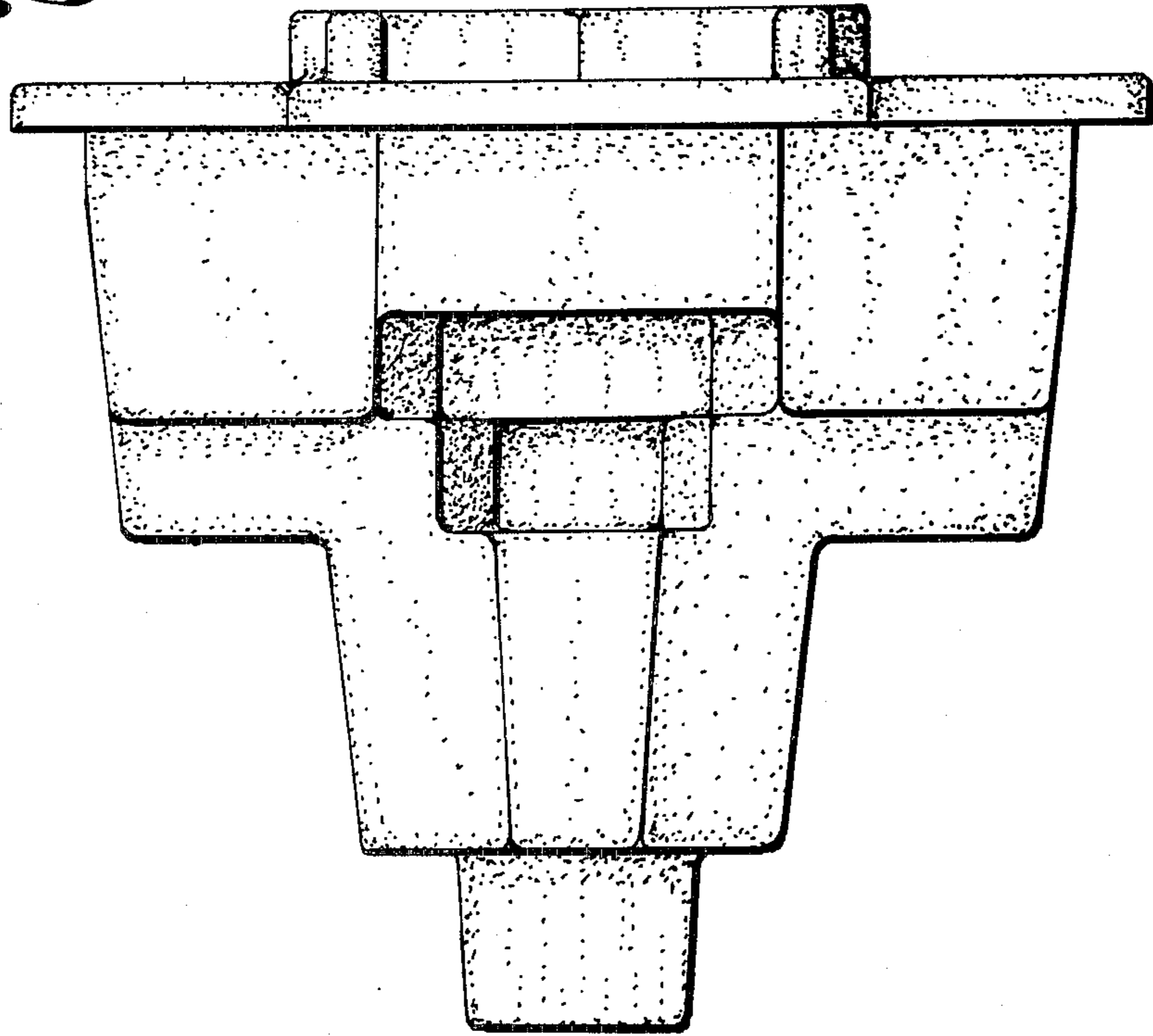


*Fig. 4.*





*Fig. 5.*



*Fig. 6.*

