

[54] DIGITAL SUBTRACTION ANGIOGRAPHY NEEDLE

4,326,519 4/1982 D'Alo et al. .... 604/177 X  
4,368,738 1/1983 Tersteegen et al. .... 604/264 X

[75] Inventor: Thomas A. Osborne, Monroe County, Ind.

Primary Examiner—A. Hugo Word  
Assistant Examiner—Stella M. Reid  
Attorney, Agent, or Firm—Woodard, Weikart, Emhardt & Naughton

[73] Assignee: Cook Incorporated, Bloomington, Ind.

[\*\*] Term: 14 Years

[57] CLAIM

[21] Appl. No.: 576,218

The ornamental design for a digital subtraction angiography needle, as shown and described.

[22] Filed: Feb. 2, 1984

DESCRIPTION

[52] U.S. Cl. .... D24/24

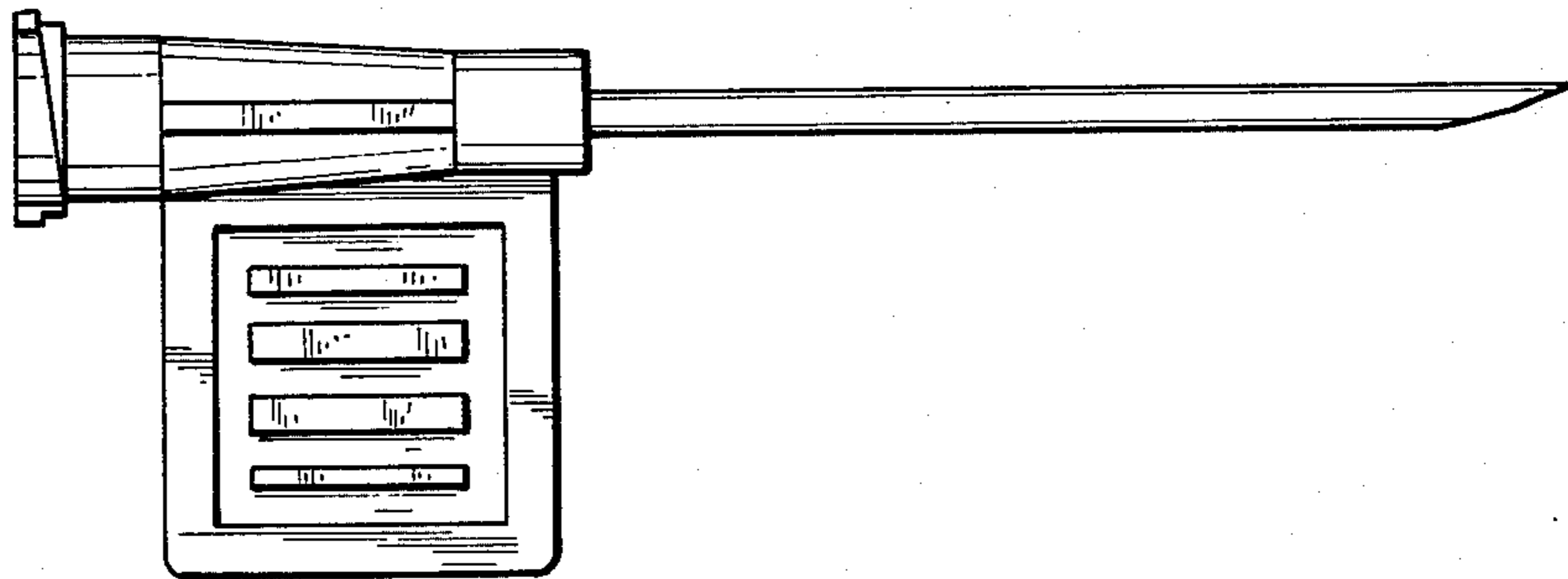
[58] Field of Search ..... D24/25, 24, 14, 60;  
604/187, 264, 272, 177, 263, 30

FIG. 1 is a side elevational view of a digital subtraction angiography needle embodying my new design;  
FIG. 2 is a side elevational view taken from the left of FIG. 1;  
FIG. 3 is a side elevational view taken from the right of FIG. 1;  
FIG. 4 is a top plan view thereof; and  
FIG. 5 is a bottom plan view thereof.  
The side opposite that shown in FIG. 1 is a mirror image thereof.

[56] References Cited

U.S. PATENT DOCUMENTS

- D. 217,702 5/1970 Volk et al. .... D24/52
- D. 257,885 1/1981 Kulle ..... D24/52
- 3,782,383 1/1974 Thompson et al. .... 604/177
- 4,161,177 7/1979 Fuchs ..... 604/177



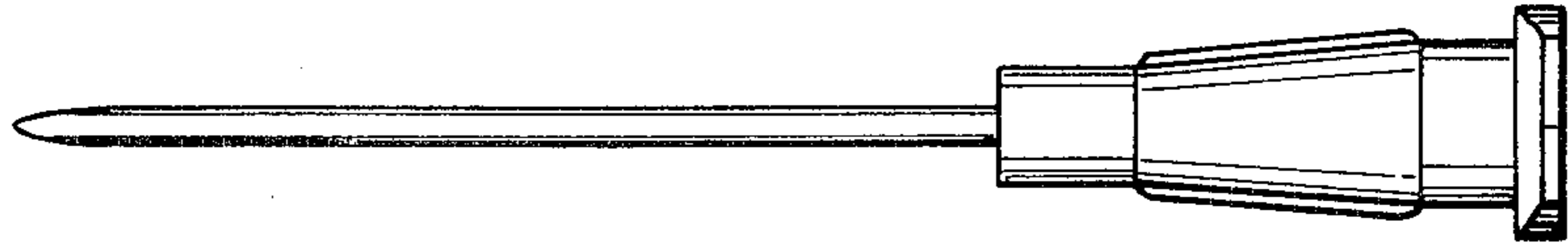


Fig. 4

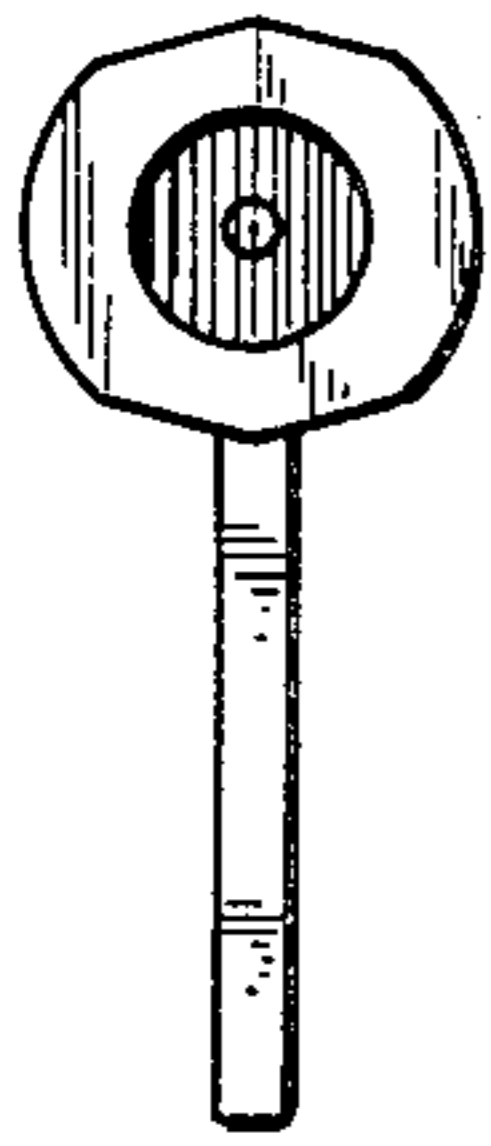


Fig. 2

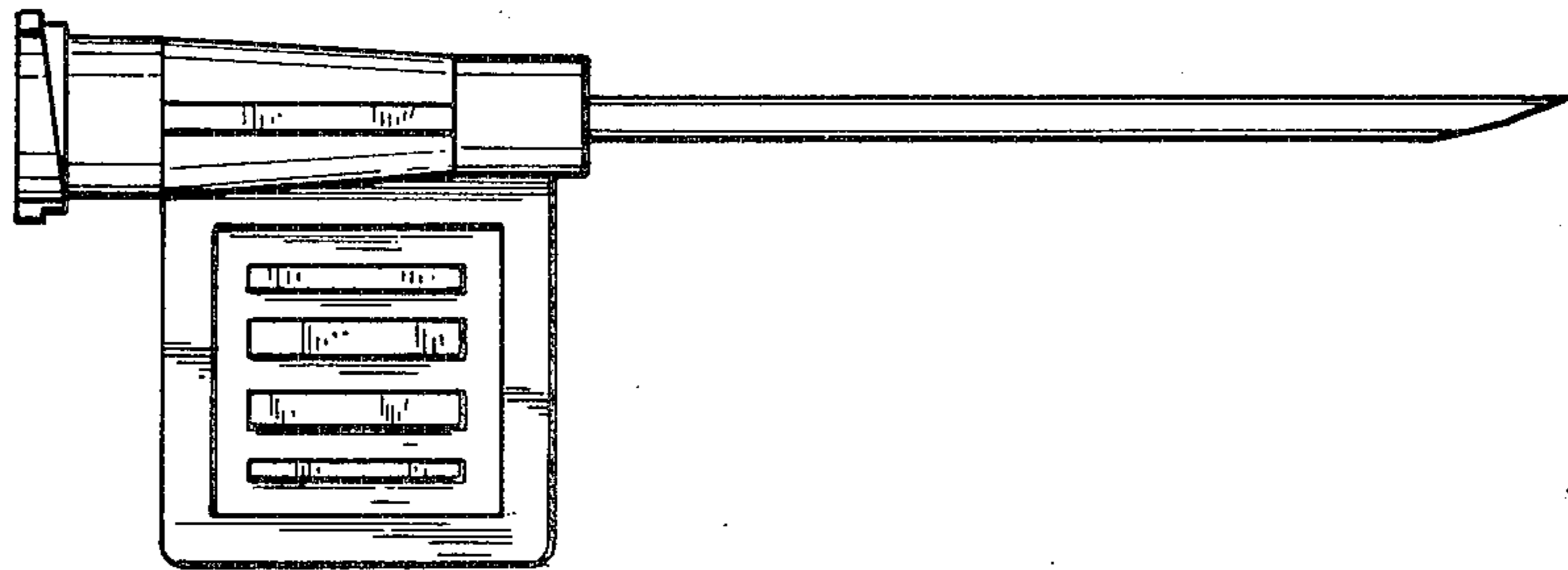


Fig. 1

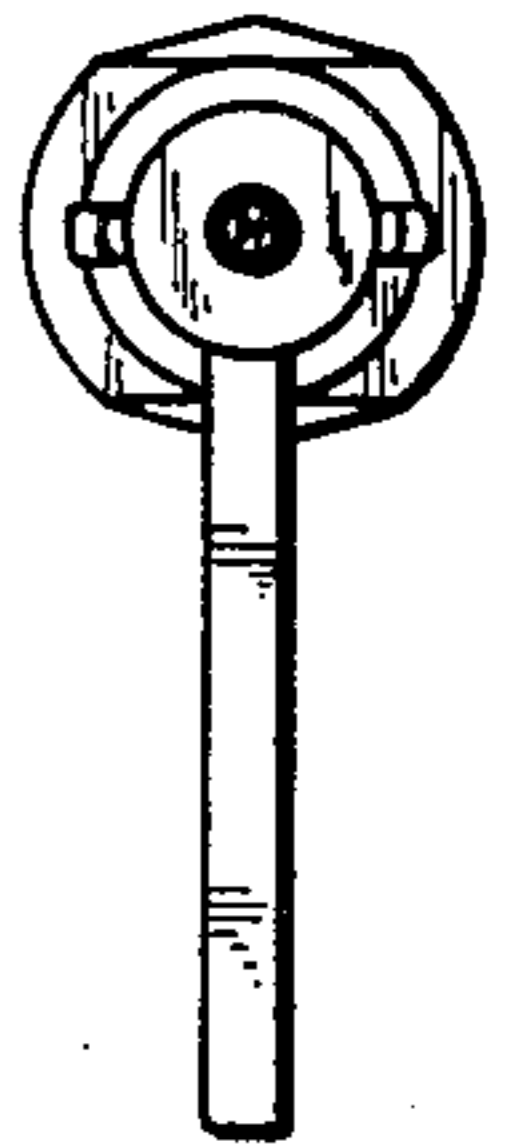


Fig. 3

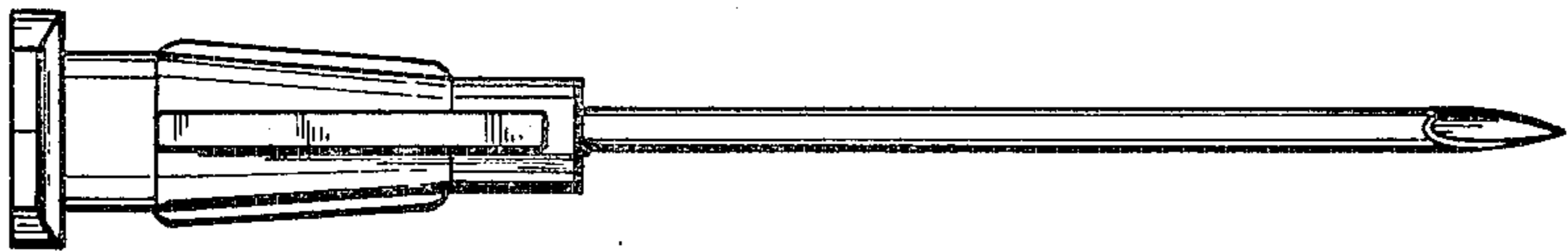


Fig. 5