

[54] SKIN RESISTANCE PROBE

[75] Inventor: James G. McJunkin, Chula Vista, Calif.

[73] Assignee: La Jolla Technology, San Diego, Calif.

[**] Term: 14 Years

[21] Appl. No.: 504,575

[22] Filed: Jun. 15, 1983

[52] U.S. Cl. D24/17; D24/41; D24/99

[58] Field of Search D24/8, 17, 23, 29, 34, D24/36, 40, 41, 99; 128/734, 735, 653, 733, 741, 783, 800, 421, 422, 423

[56] References Cited

U.S. PATENT DOCUMENTS

4,224,949 9/1980 Scott et al. 128/134

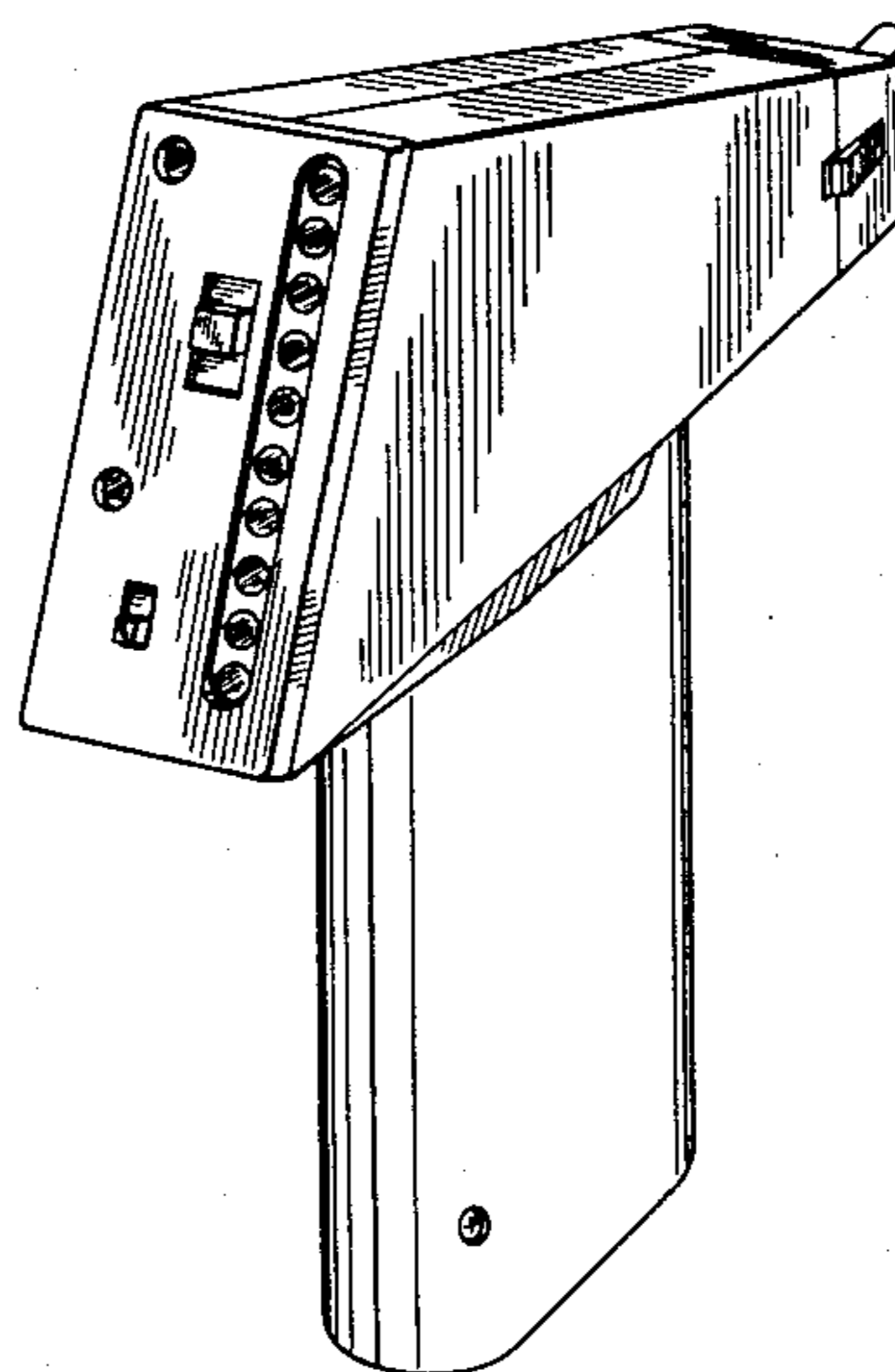
Primary Examiner—Catherine E. Kemper
Attorney, Agent, or Firm—Brown, Martin & Haller

[57] CLAIM

The ornamental design for a skin resistance probe, substantially as shown.

DESCRIPTION

FIG. 1 is a perspective view of a skin resistance probe, showing my new design;
FIG. 2 is a rear elevational view thereof;
FIG. 3 is a bottom plan view thereof;
FIG. 4 is a side elevational view thereof; and
FIG. 5 is a top plan view thereof.



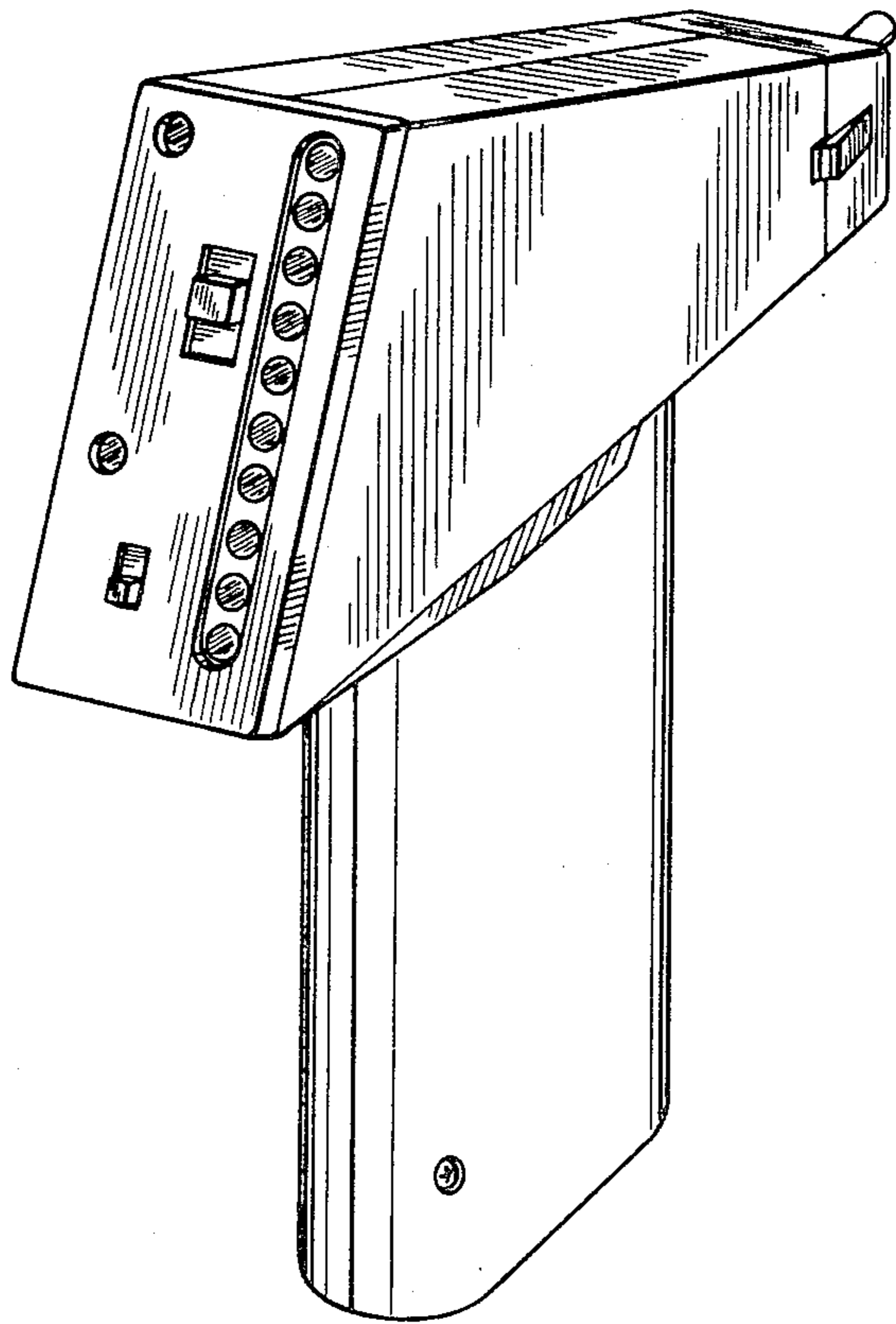


Fig. 1

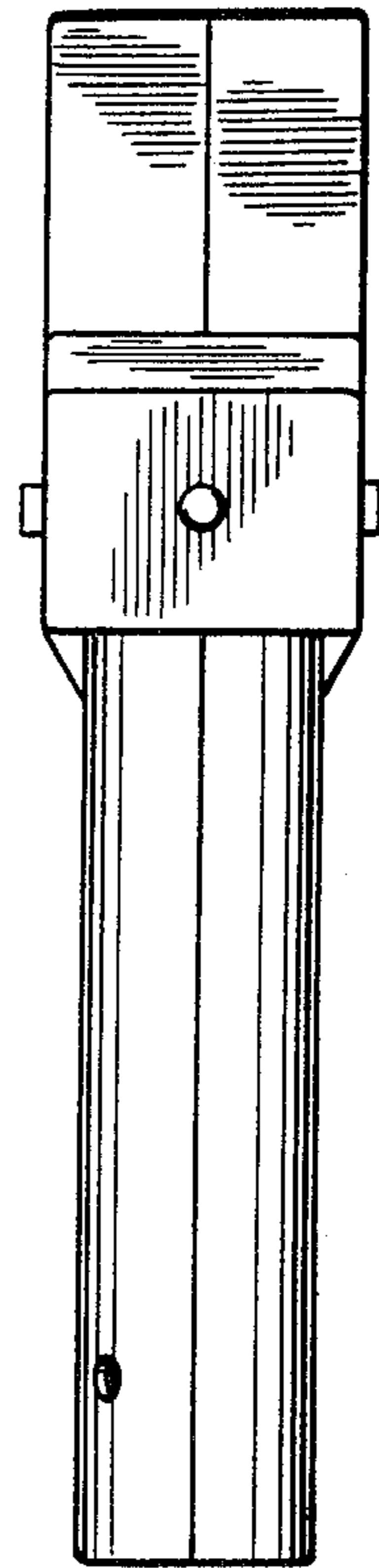


Fig. 2

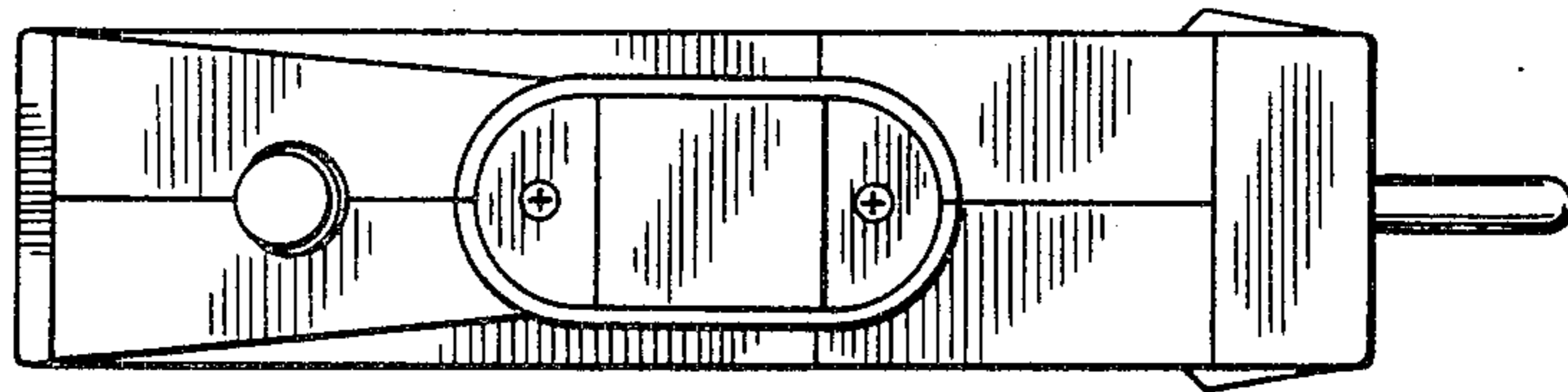


Fig. 3

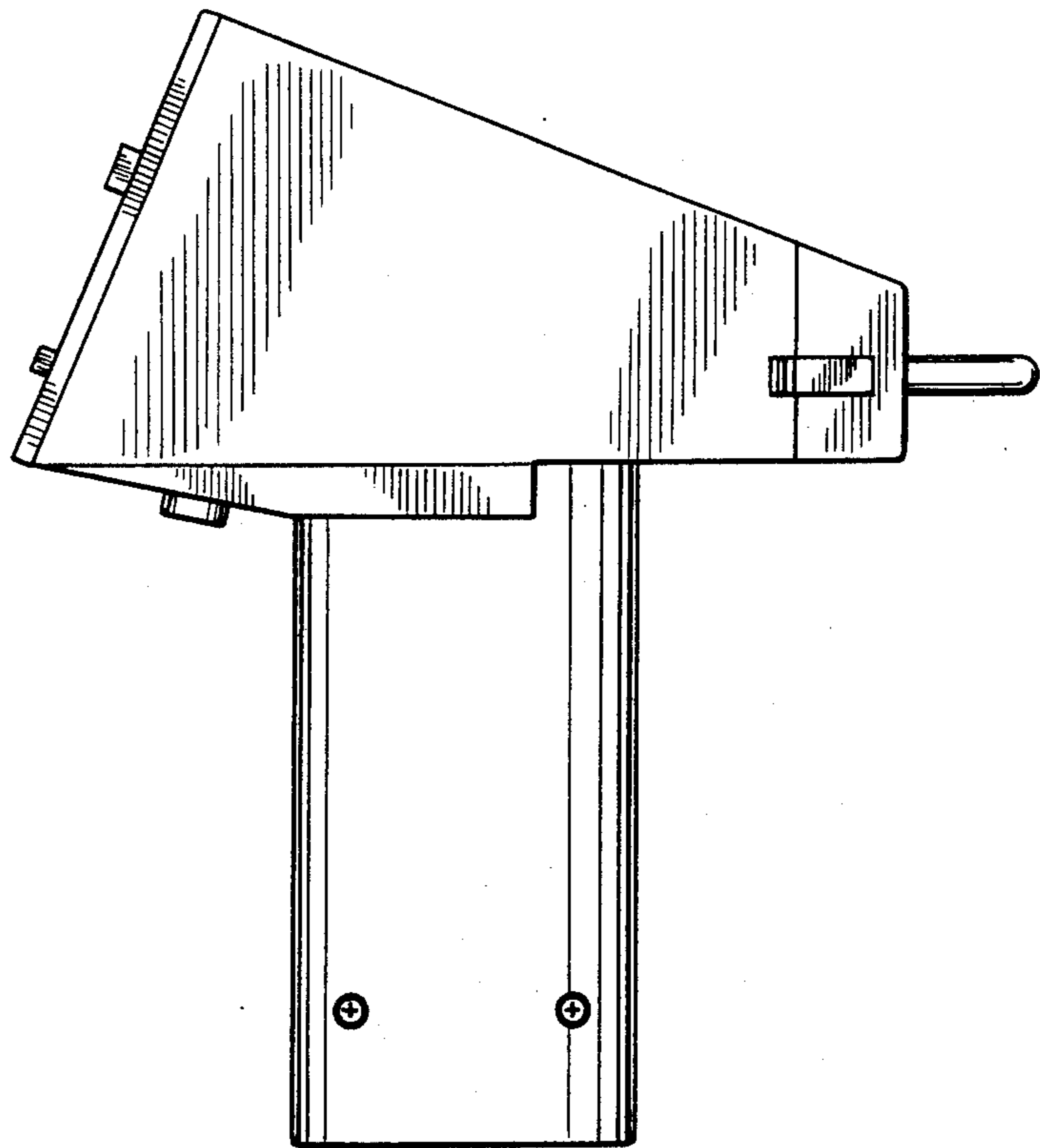


Fig. 4

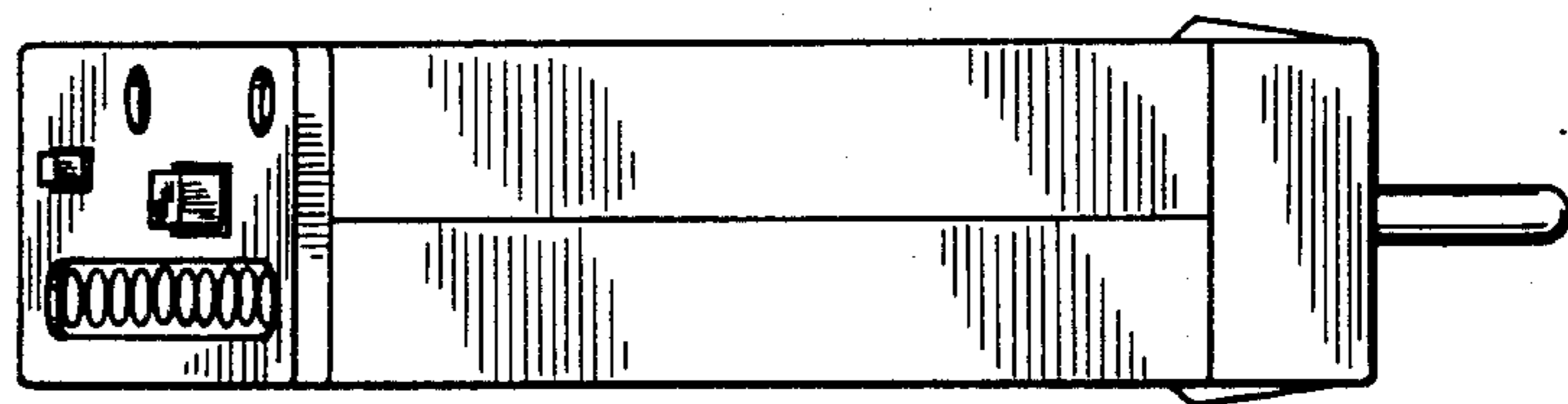


Fig. 5