

[54] **BATHTUB**

[75] **Inventor: William H. Griffiths, St. Albans, England**

[73] **Assignee: Bonsack Baths (London) Limited, West Midlands, England**

[\*\*] **Term: 14 Years**

[21] **Appl. No.: 686,394**

[22] **Filed: Dec. 26, 1984**

[30] **Foreign Application Priority Data**

Jul. 5, 1984 [GB] United Kingdom ..... 1020736  
[52] **U.S. Cl. .... D23/55**  
[58] **Field of Search ..... D23/48, 55, 56; D24/38; 4/538, 584, 575, 576**

[56]

**References Cited**

**U.S. PATENT DOCUMENTS**

D. 265,923 8/1982 Cuttriss ..... D23/55  
D. 266,941 11/1982 Stairs, Jr. .... D23/55  
D. 278,742 5/1985 Stairs, Jr. .... D23/55

*Primary Examiner*—James M. Gandy  
*Attorney, Agent, or Firm*—Larson and Taylor

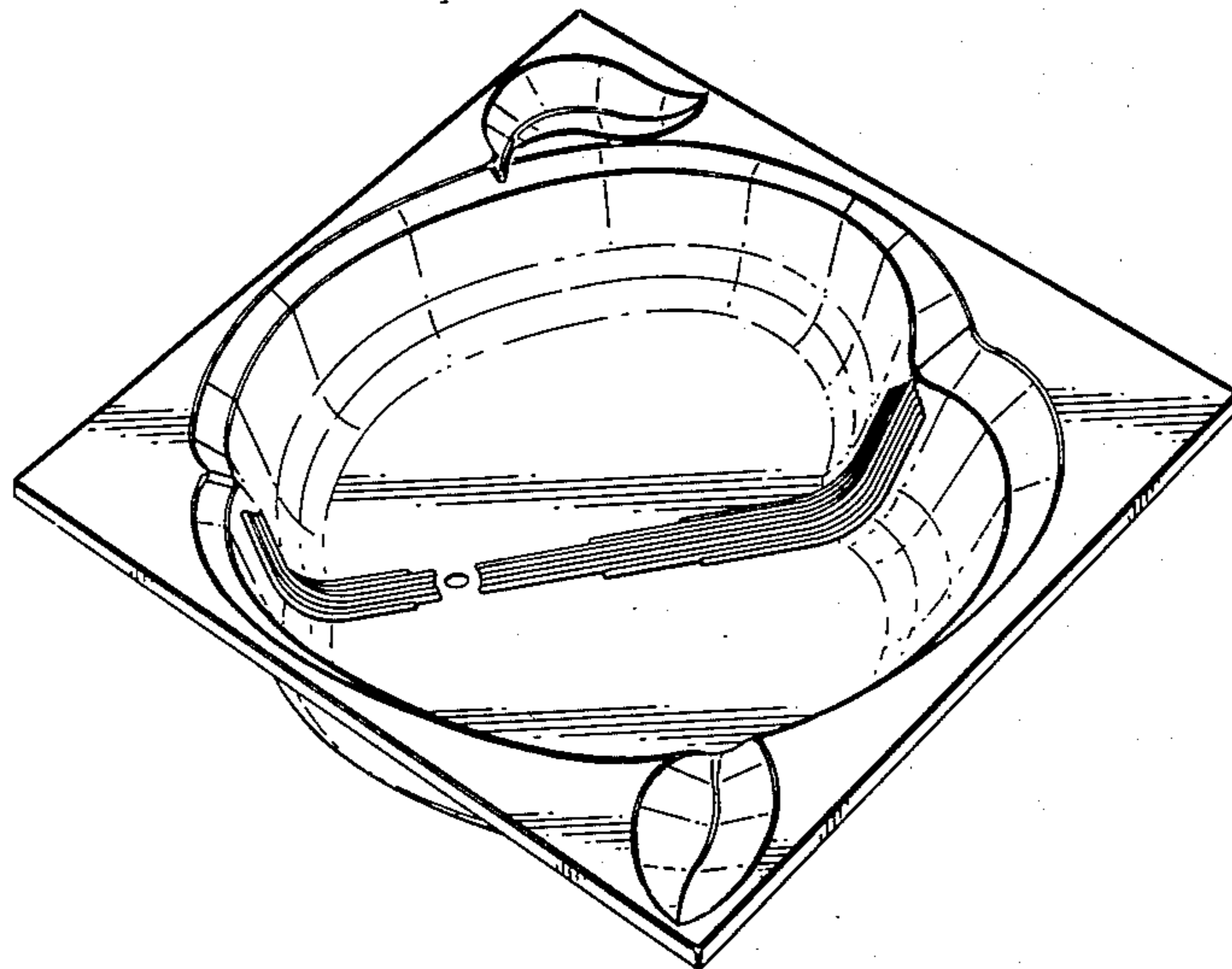
[57]

**CLAIM**

The ornamental design for a bathtub, as shown.

**DESCRIPTION**

FIG. 1 is a perspective view taken from above and one corner of a bathtub showing my new design;  
FIG. 2 is a top plan view thereof;  
FIG. 3 is a sectional view along the line III—III in FIG. 2 looking in the direction of the arrows; and  
FIG. 4 is a sectional view along the line IV—IV in FIG. 2 looking in the direction of the arrows.



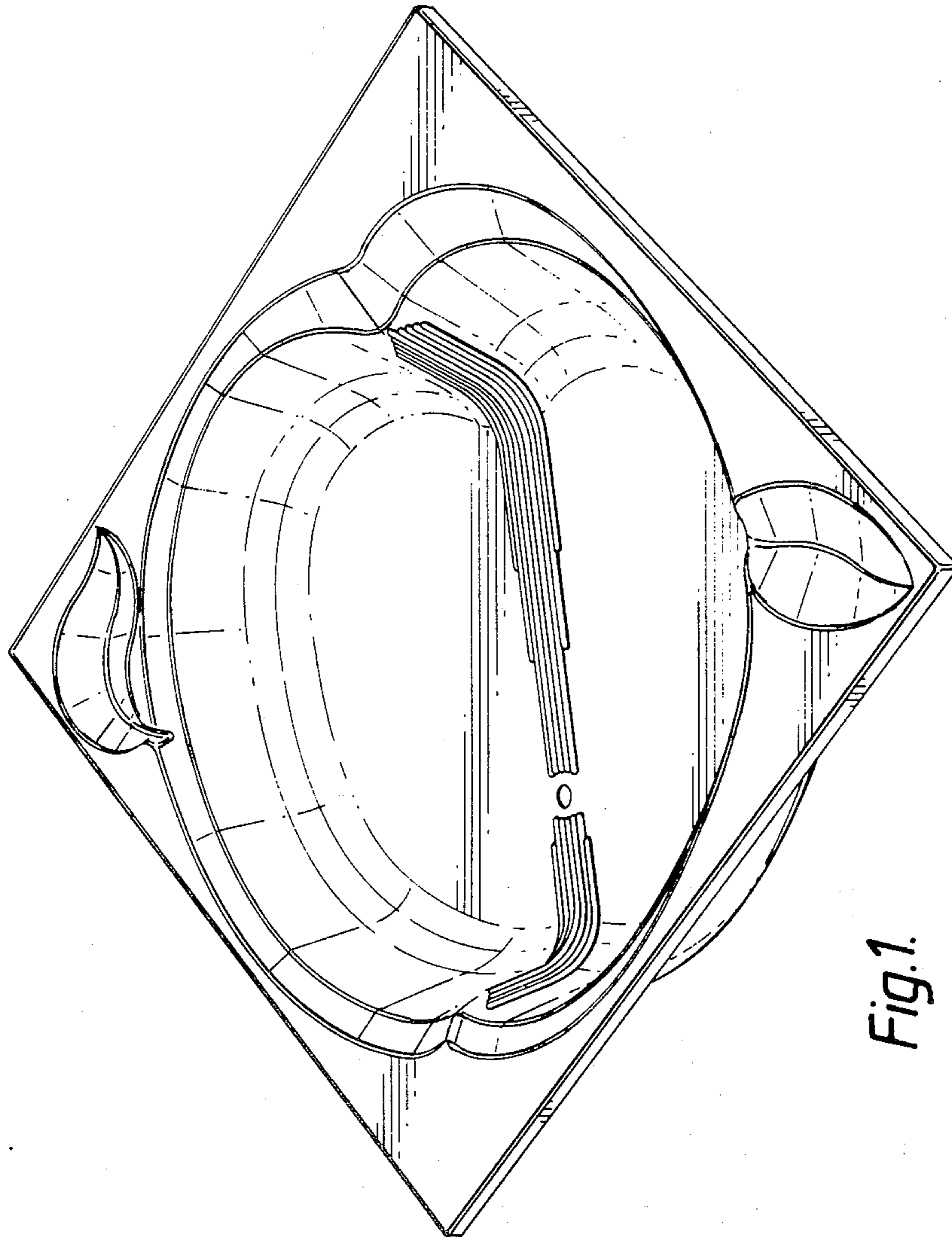


Fig. 1.

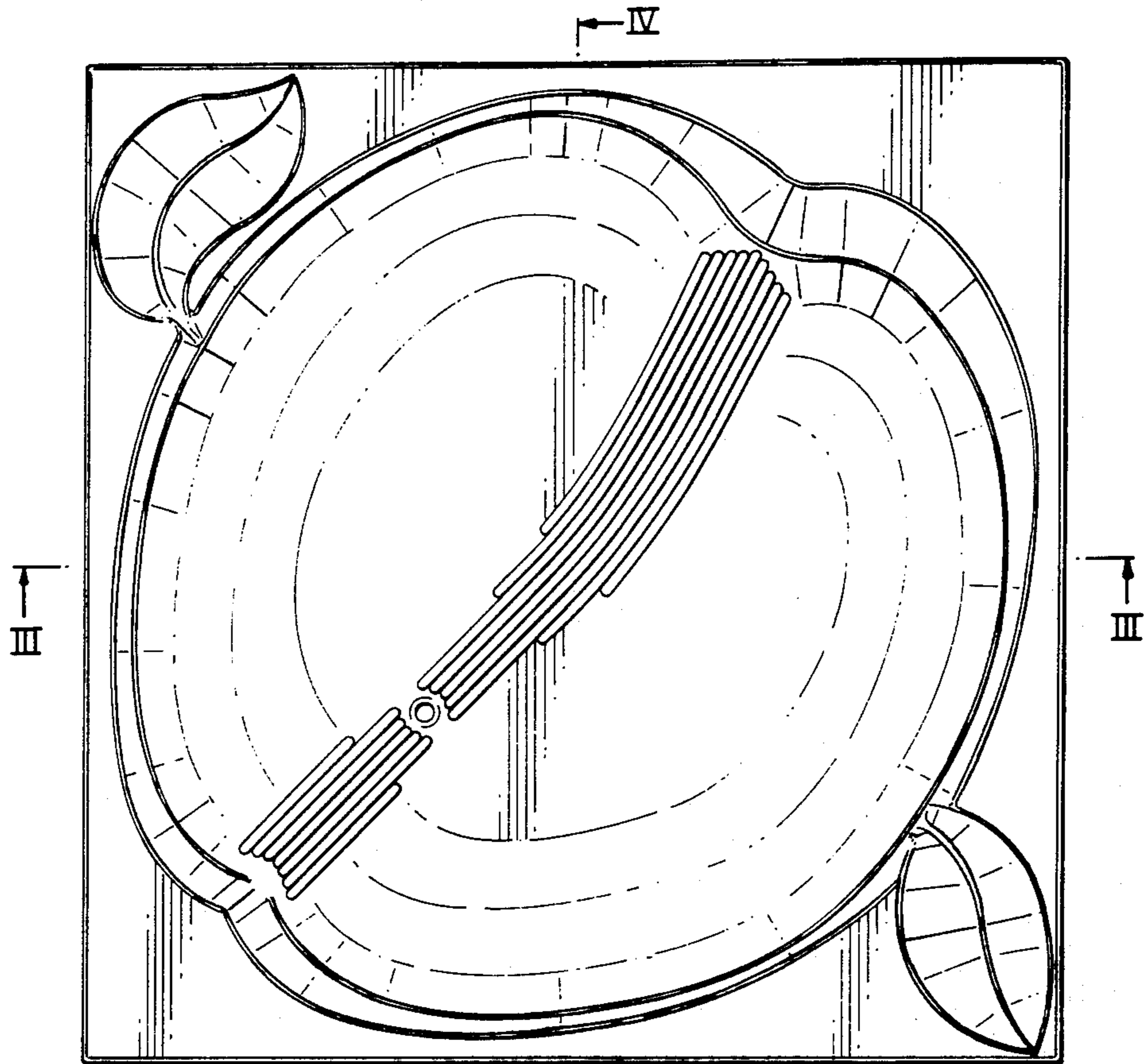


Fig. 2.

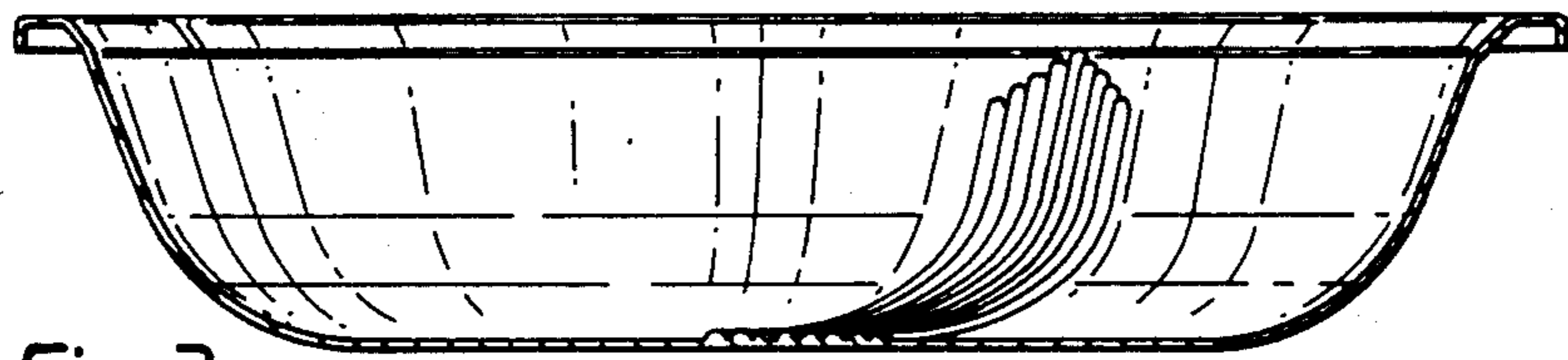


Fig. 3.

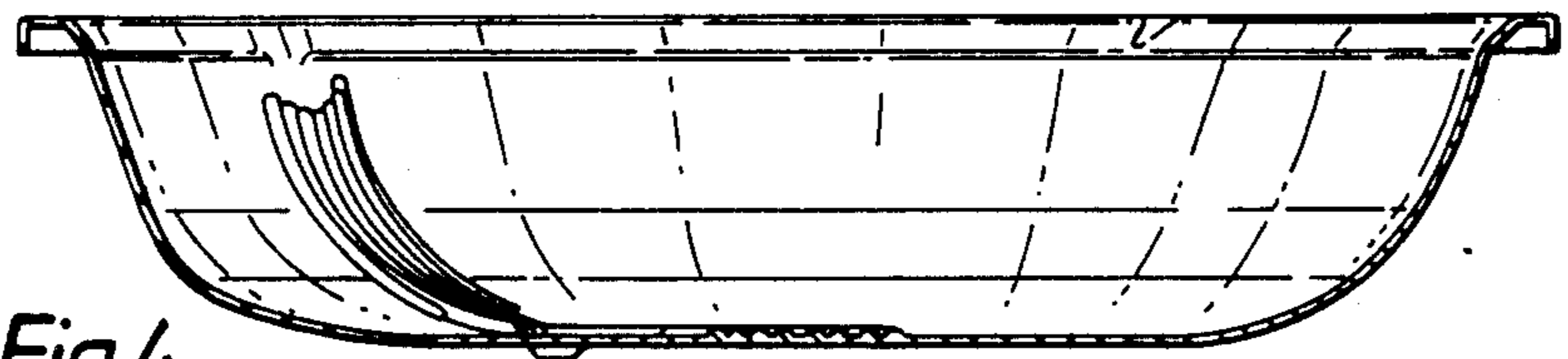


Fig. 4.