

[54] SPRINKLER BASE

[75] Inventors: Jack L. Lemkin, Cincinnati; Carl A. Peterson, Columbus, both of Ohio

[73] Assignee: The O.M. Scott & Sons Company, Marysville, Ohio

[**] Term: 14 Years

[21] Appl. No.: 607,930

[22] Filed: May 7, 1984

[52] U.S. Cl. D23/7

[58] Field of Search D23/6-9; 239/251, 273, 230, 261

[56] References Cited

U.S. PATENT DOCUMENTS

- D. 184,662 3/1959 Chapman D23/7
- D. 243,239 2/1977 Hutton et al. D23/7

- D. 269,200 5/1983 Mackay et al. D23/7
- D. 277,776 2/1985 Lemkin D23/7
- D. 277,778 2/1985 Lemkin D23/7

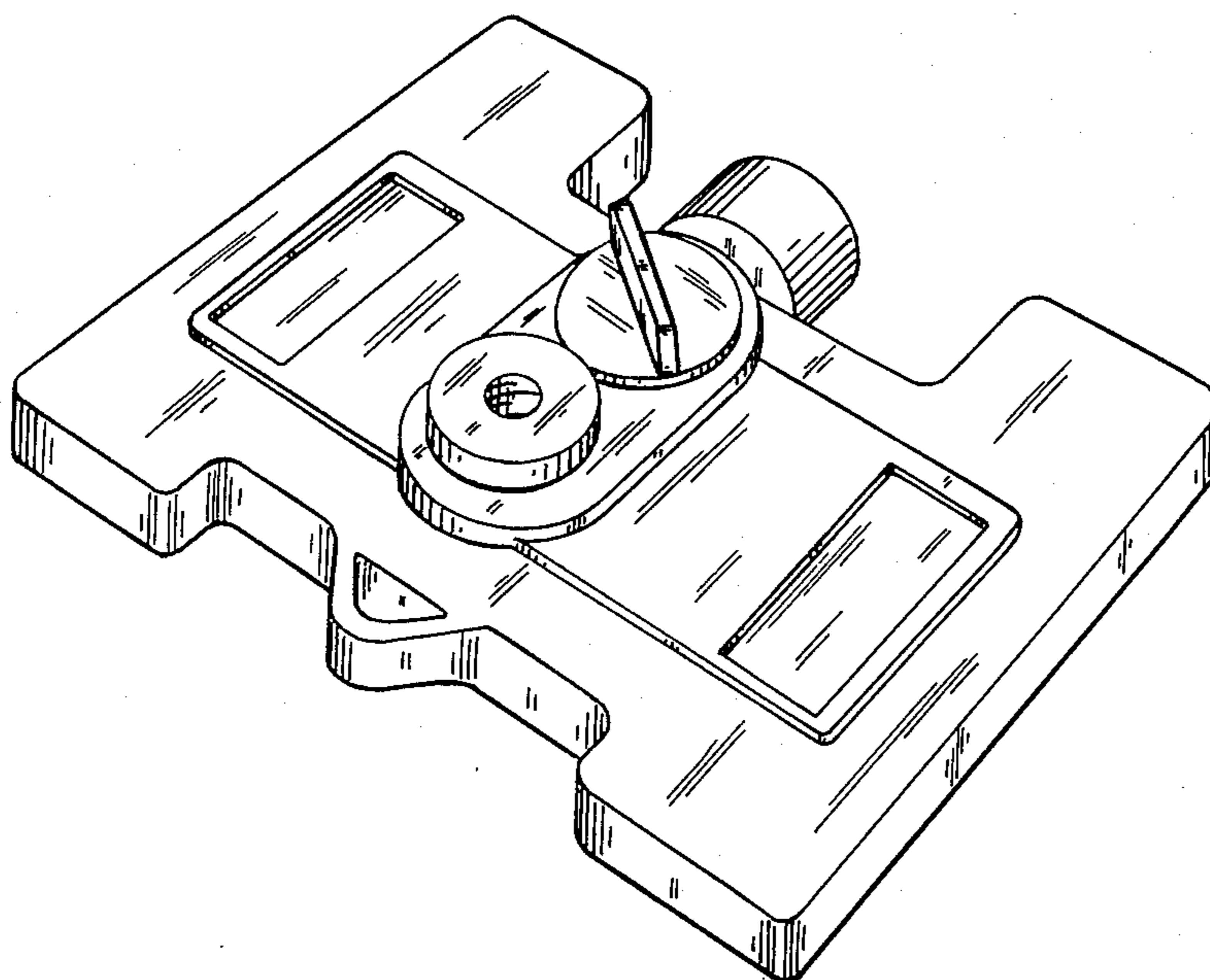
Primary Examiner—Wallace R. Burke
Assistant Examiner—Brian N. Vinson
Attorney, Agent, or Firm—James B. Raden

[57] CLAIM

The ornamental design for a sprinkler base, substantially as shown and described.

DESCRIPTION

FIG. 1 is a top plan view of a sprinkler base showing my new design;
FIG. 2 is a front elevational view thereof;
FIG. 3 is a rear elevational view thereof;
FIG. 4 is a left side elevation view thereof; and
FIG. 5 is a bottom plan view thereof; and
FIG. 6 is a top perspective view thereof.



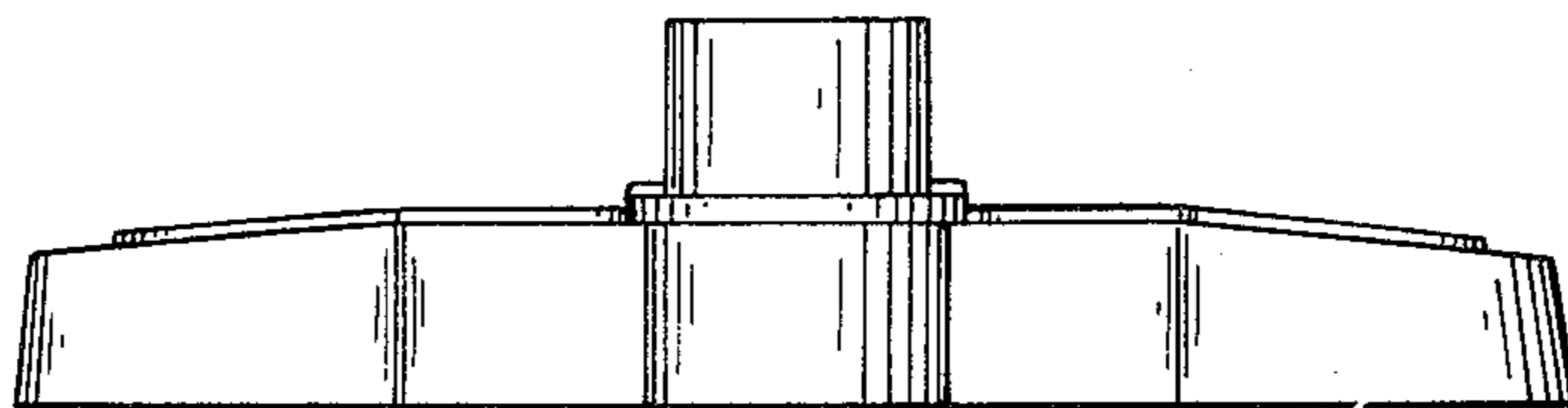


FIG. 2

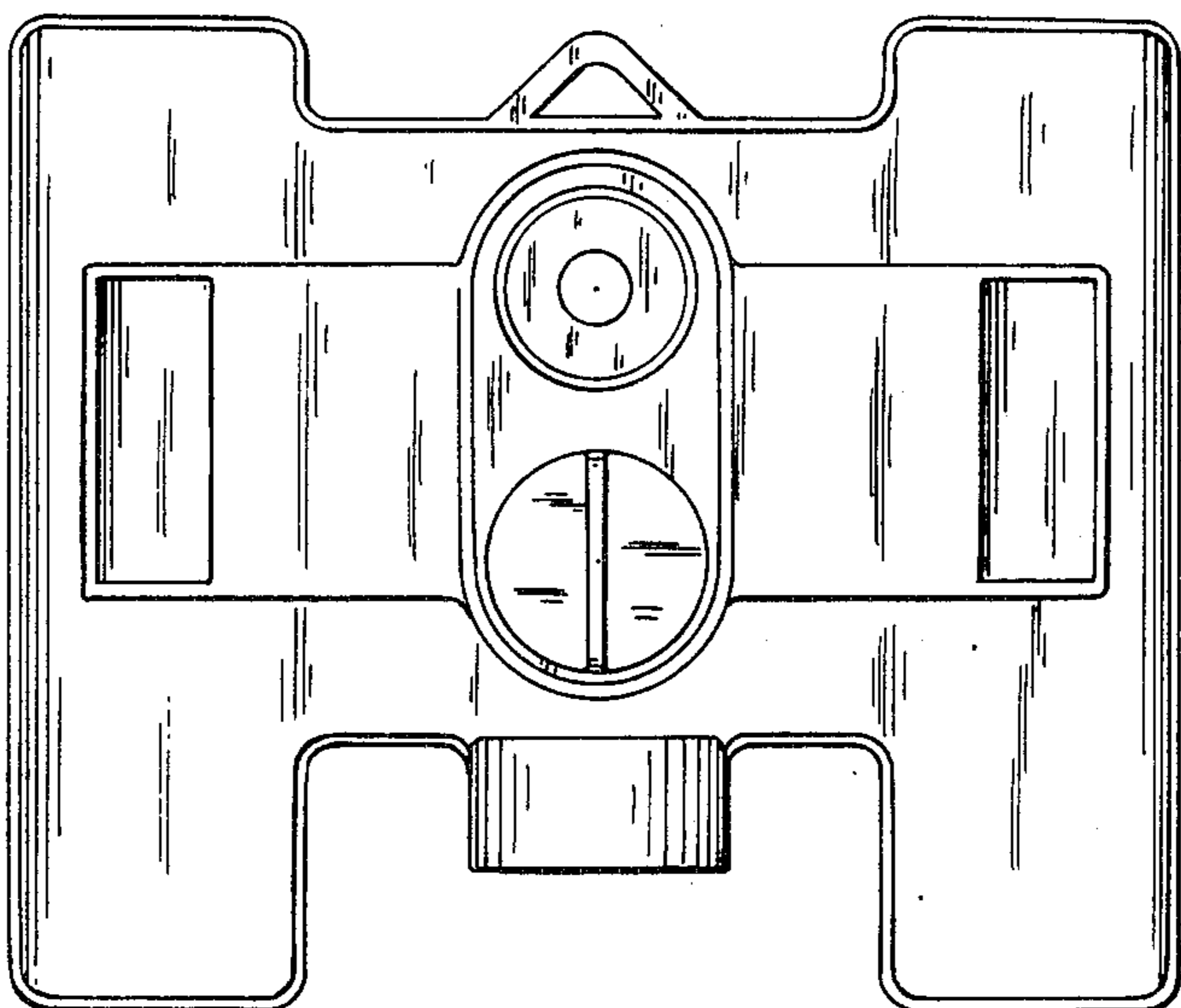


FIG. 1

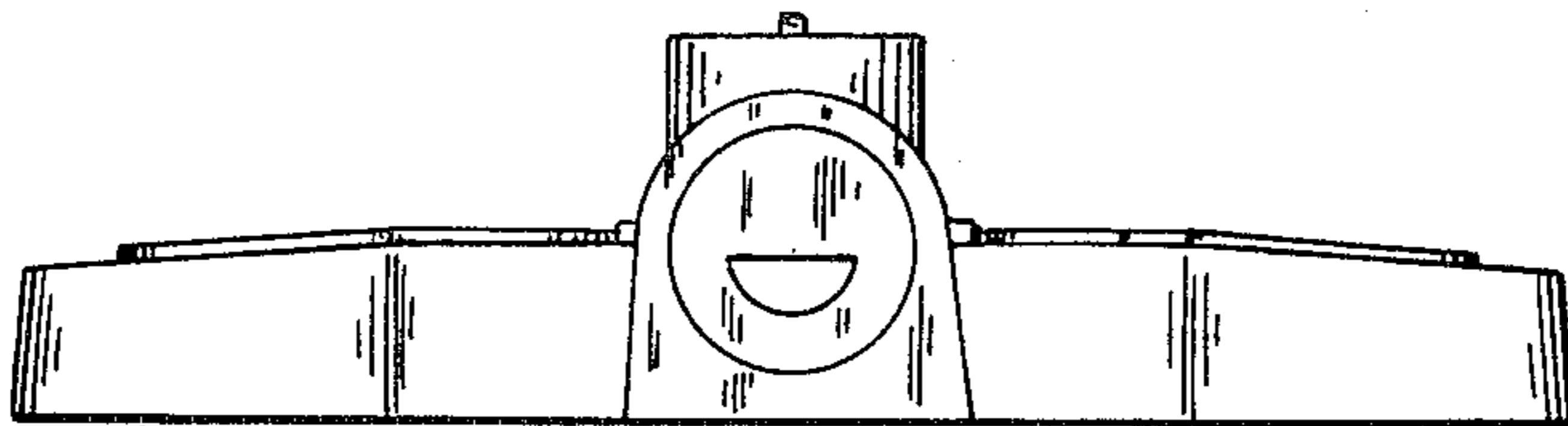


FIG. 3

FIG. 4

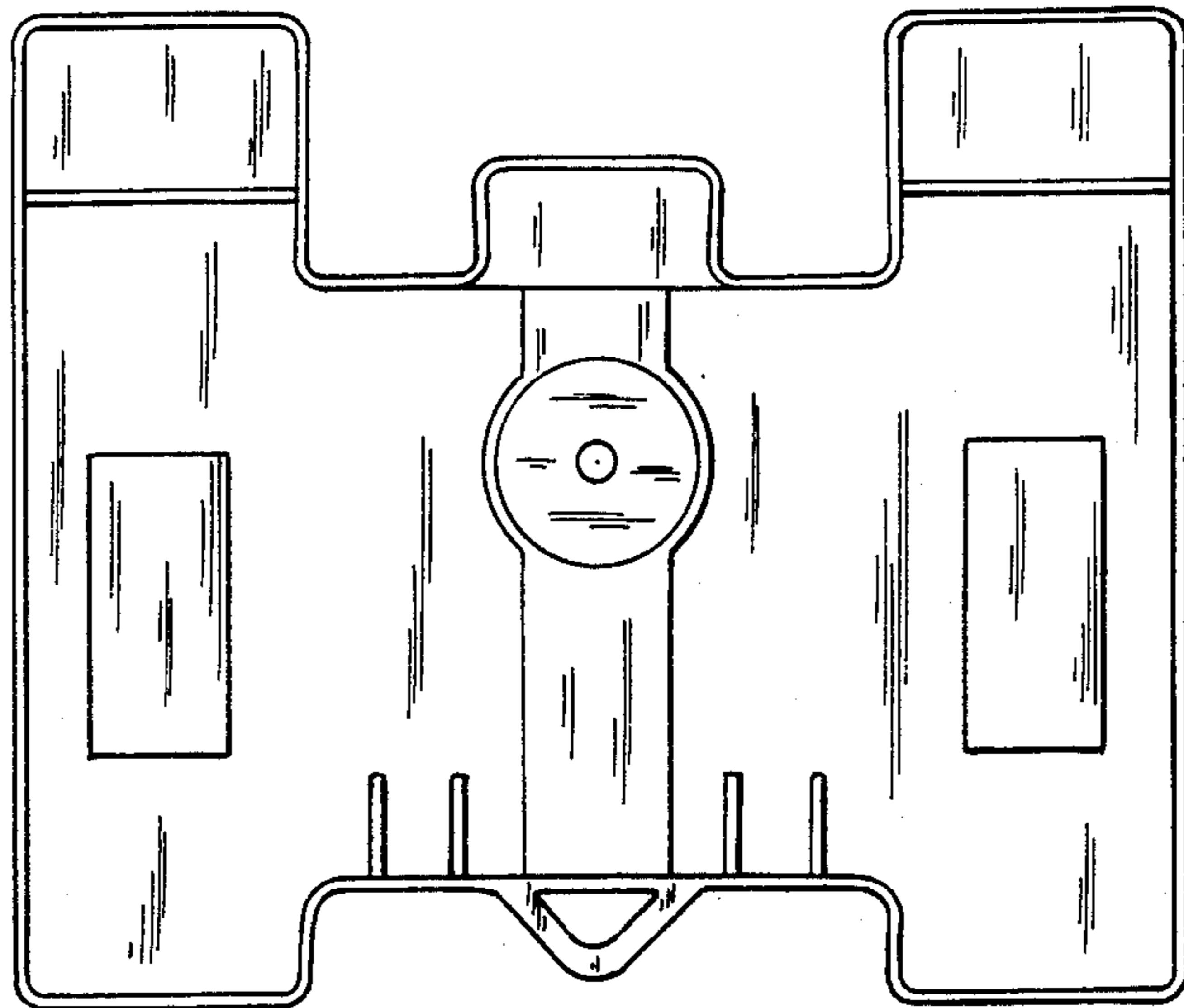
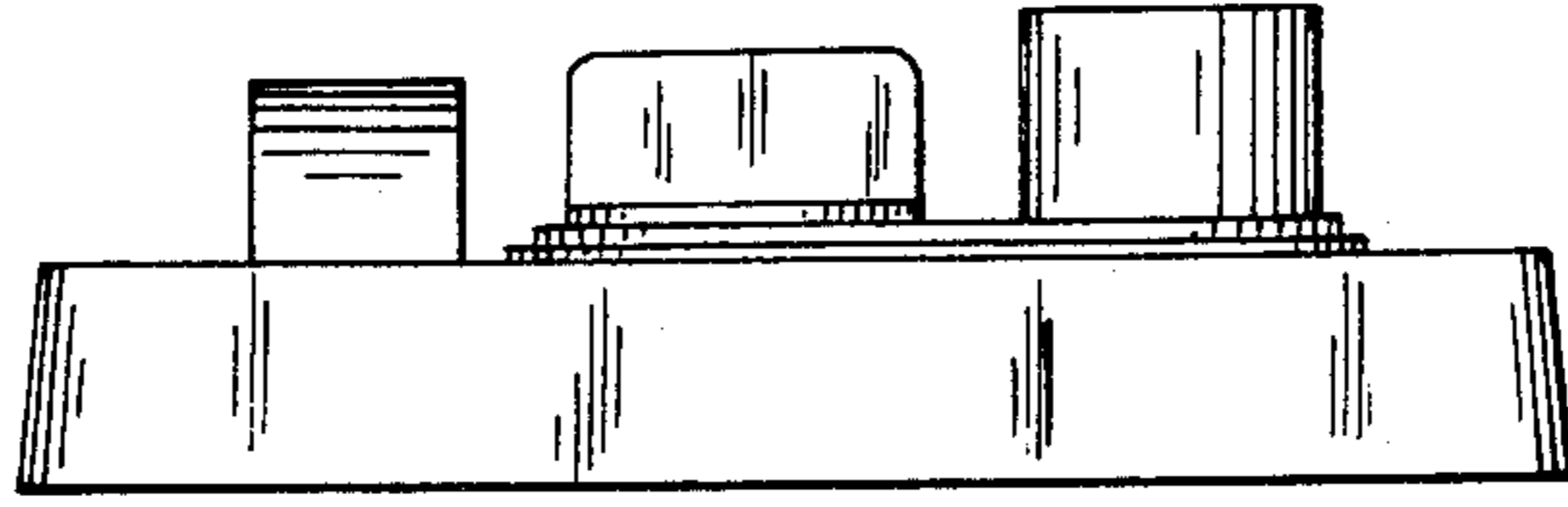


FIG. 5

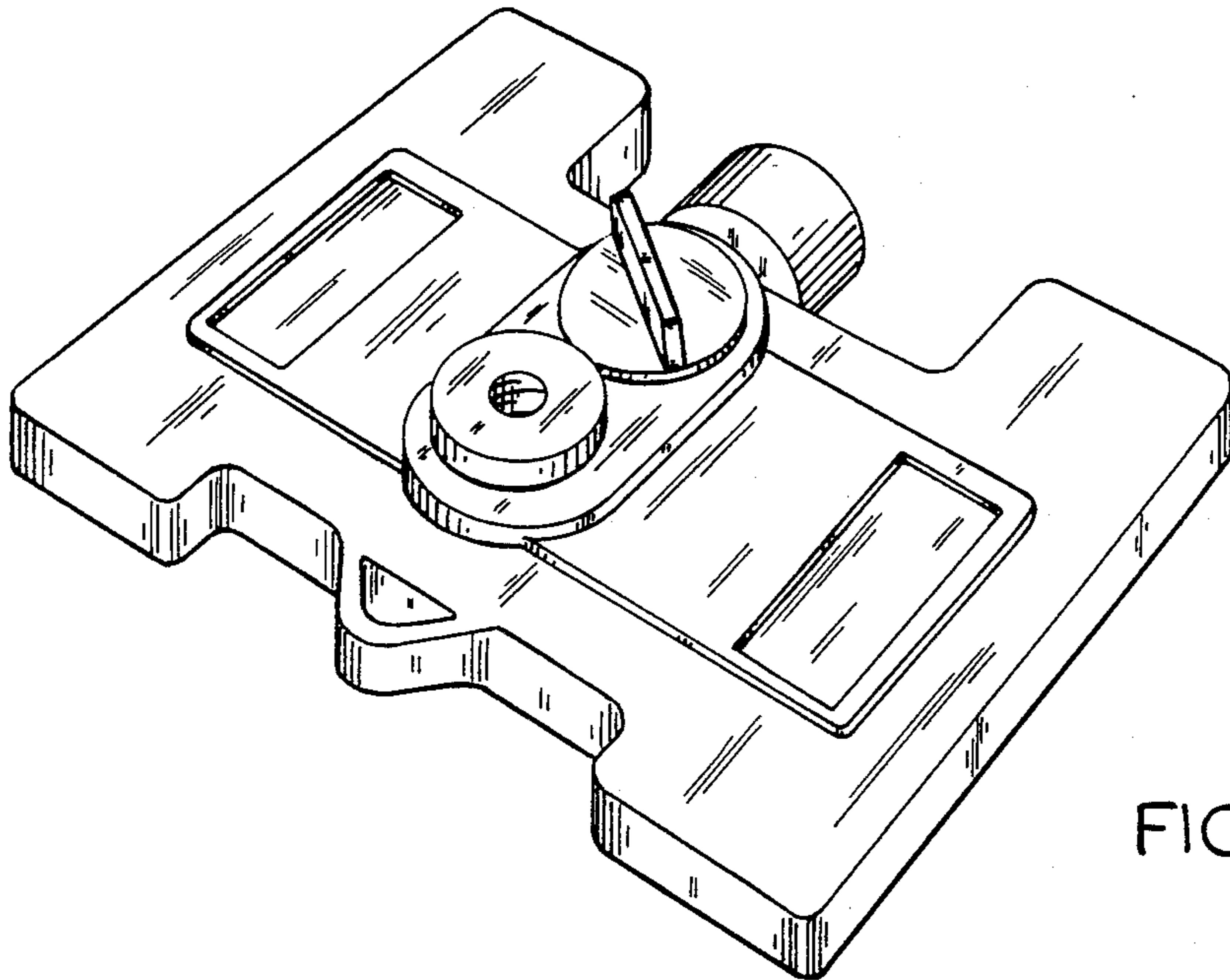


FIG. 6