

United States Patent [19]

Kelley

[11] Patent Number: **Des. 286,665**

[45] Date of Patent: **** Nov. 11, 1986**

[54] **CYCLE EXERCISER**

[75] Inventor: **Robert C. Kelley, Opelika, Ala.**

[73] Assignee: **Diversified Products Corporation, Opelika, Ala.**

[**] Term: **14 Years**

[21] Appl. No.: **632,576**

[22] Filed: **Jul. 19, 1984**

[52] U.S. Cl. **D21/194**

[58] Field of Search **D21/194; 272/70.3, 73, 272/132, DIG. 6; 73/379**

[56] **References Cited**

U.S. PATENT DOCUMENTS

- D. 189,481 12/1960 Harwood D21/194
- D. 193,437 8/1962 Maratta D21/194
- D. 209,065 10/1967 Weiss D21/194
- D. 224,329 7/1972 Hjelmquist .
- D. 254,679 4/1980 Gustafsson .

D. 264,235 5/1982 Chirapozu .

OTHER PUBLICATIONS

Sporting Goods Dealer, 10-1983, p. 163, "Home Ergometer".

Primary Examiner—Charles A. Rademaker
Attorney, Agent, or Firm—Banner, Birch, McKie & Beckett

[57] **CLAIM**

The ornamental design for a cycle exerciser, substantially as shown and described.

DESCRIPTION

FIG. 1 is a perspective view of a cycle exerciser showing my new design;

FIG. 2 is a side elevational view thereof, the opposite side being substantially the mirror image of that shown;

FIG. 3 is a front elevational view thereof;

FIG. 4 is a rear elevational view thereof; and

FIG. 5 is a top plan view thereof.

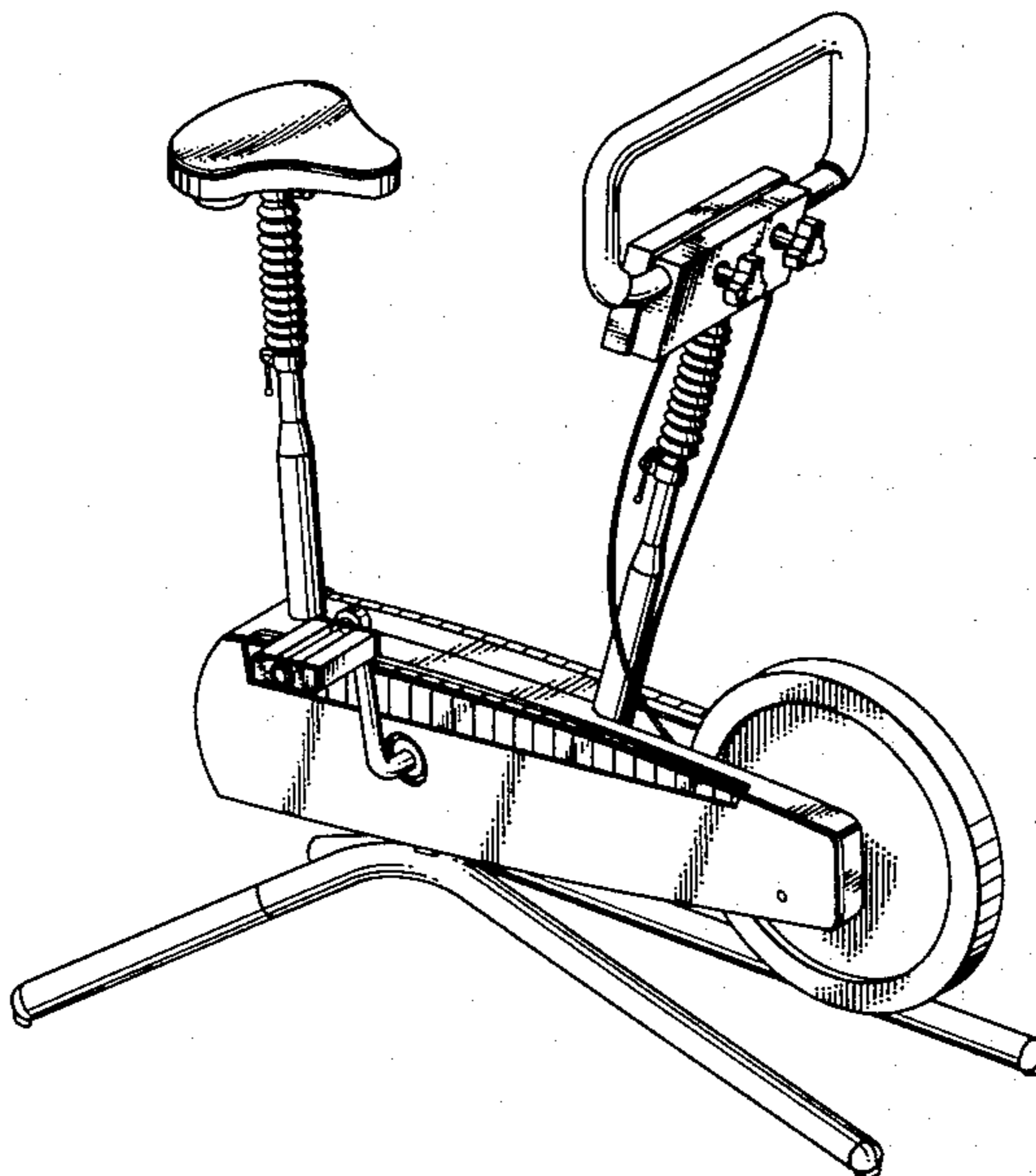


FIG. 1.

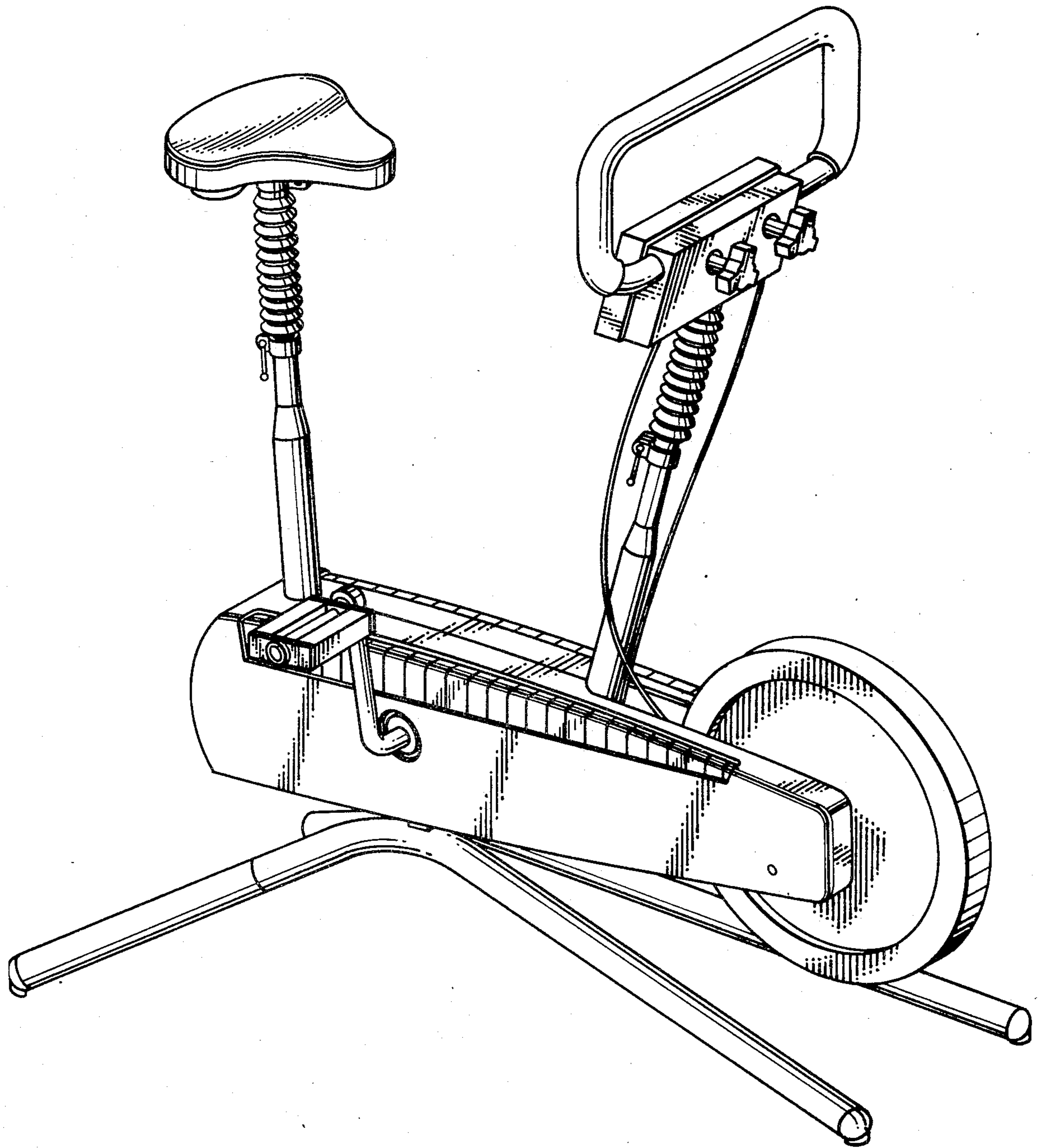


FIG. 2.

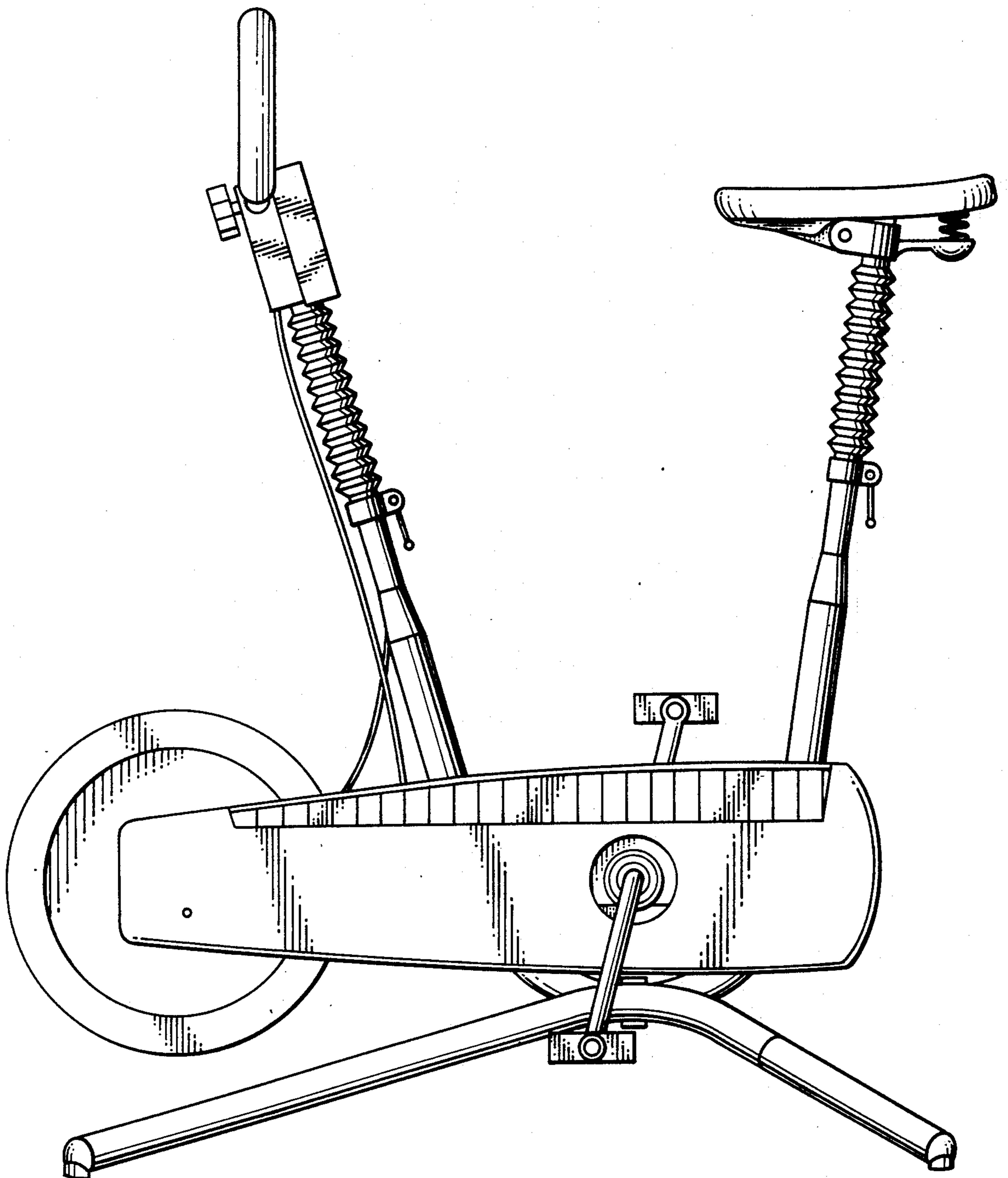


FIG. 3.

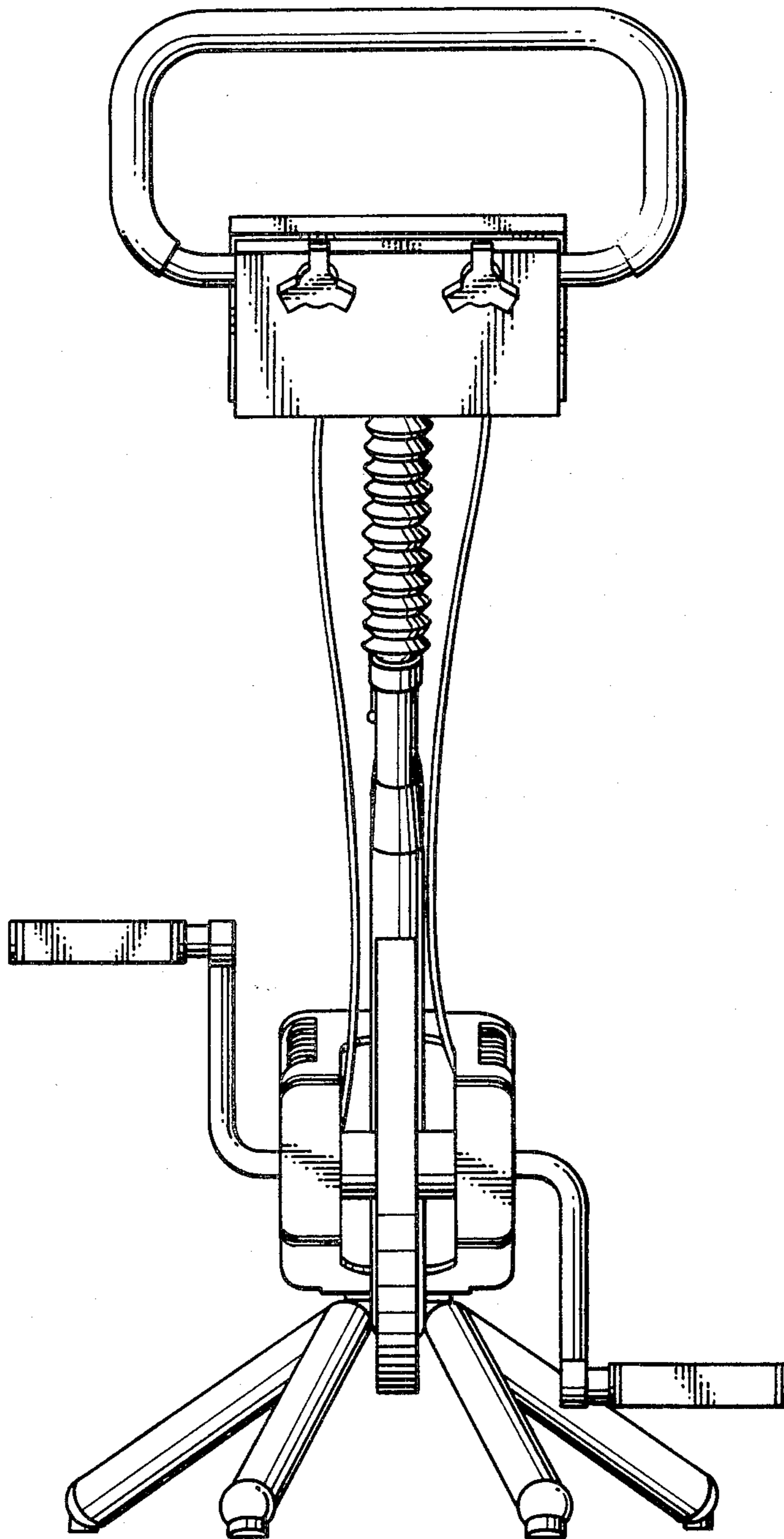


FIG. 4.

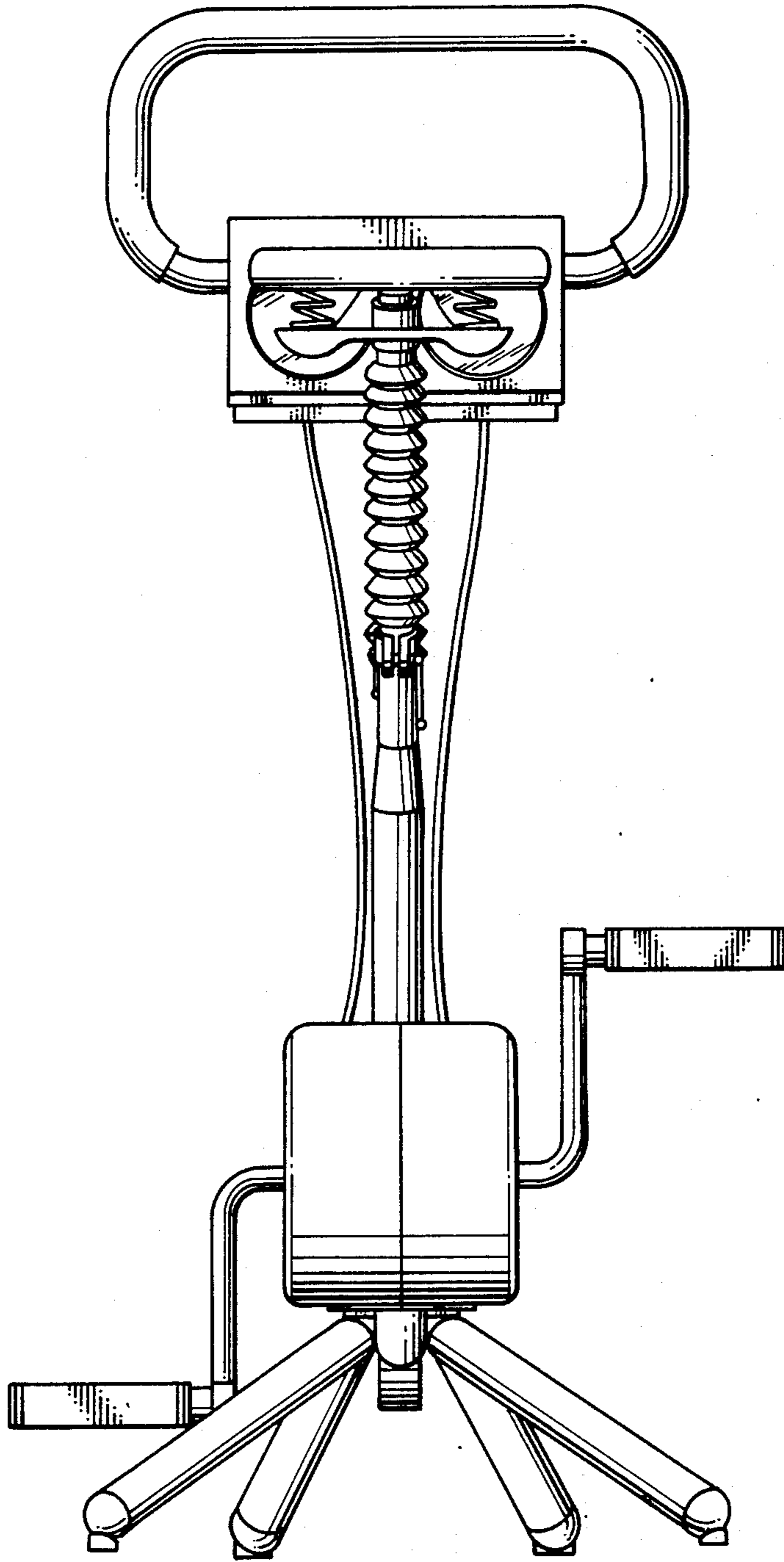


FIG. 5.

