

[54] **TOY GUN**

[76] **Inventor: Francis M. L. Barthropp, 4371  
Marine Dr., W. Vancouver, British  
Columbia, Canada, V7V 1P3**

[\*\*] **Term: 14 Years**

[21] **Appl. No.: 641,769**

[22] **Filed: Aug. 17, 1984**

[52] **U.S. Cl. .... D21/147**

[58] **Field of Search .... D21/145, 146, 147;  
446/473; D22/5, 6; 124/56; 42/54, 58**

[56]

**References Cited**

**U.S. PATENT DOCUMENTS**

D. 164,657 9/1951 Tovell ..... D21/147  
D. 168,909 2/1953 Rastetter ..... D21/147  
D. 267,574 1/1983 Barthropp ..... D21/147

*Primary Examiner—Charles A. Rademaker  
Attorney, Agent, or Firm—Carver & Co.*

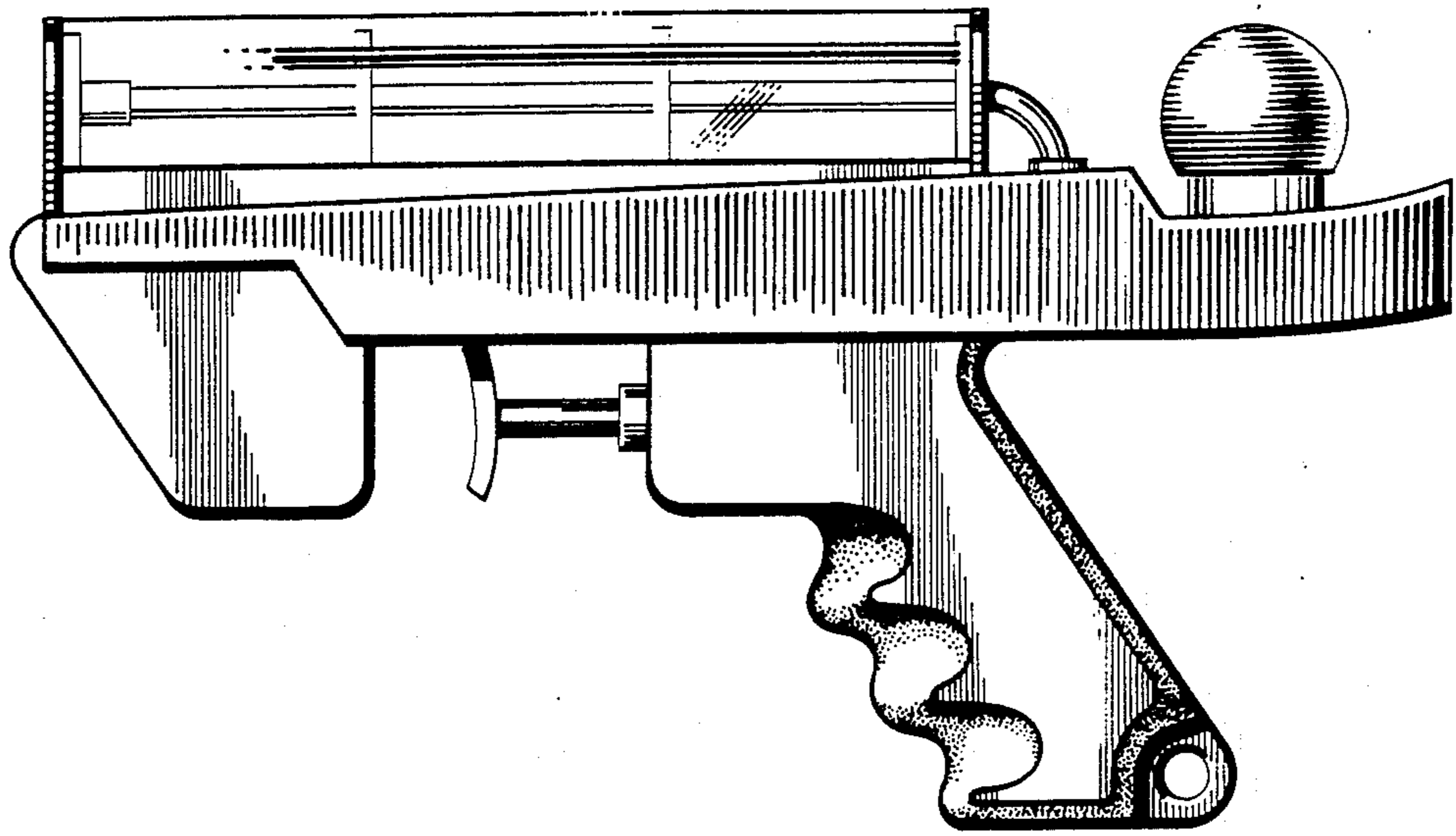
[57]

**CLAIM**

The ornamental design for a toy gun, substantially as shown and described.

**DESCRIPTION**

FIG. 1 is a side elevational view of a toy gun showing my new design, the side opposite being a mirror image; FIG. 2 is a front elevational view thereof; FIG. 3 is a rear elevational view thereof; FIG. 4 is a top plan view thereof; and, FIG. 5 is a bottom plan view thereof.



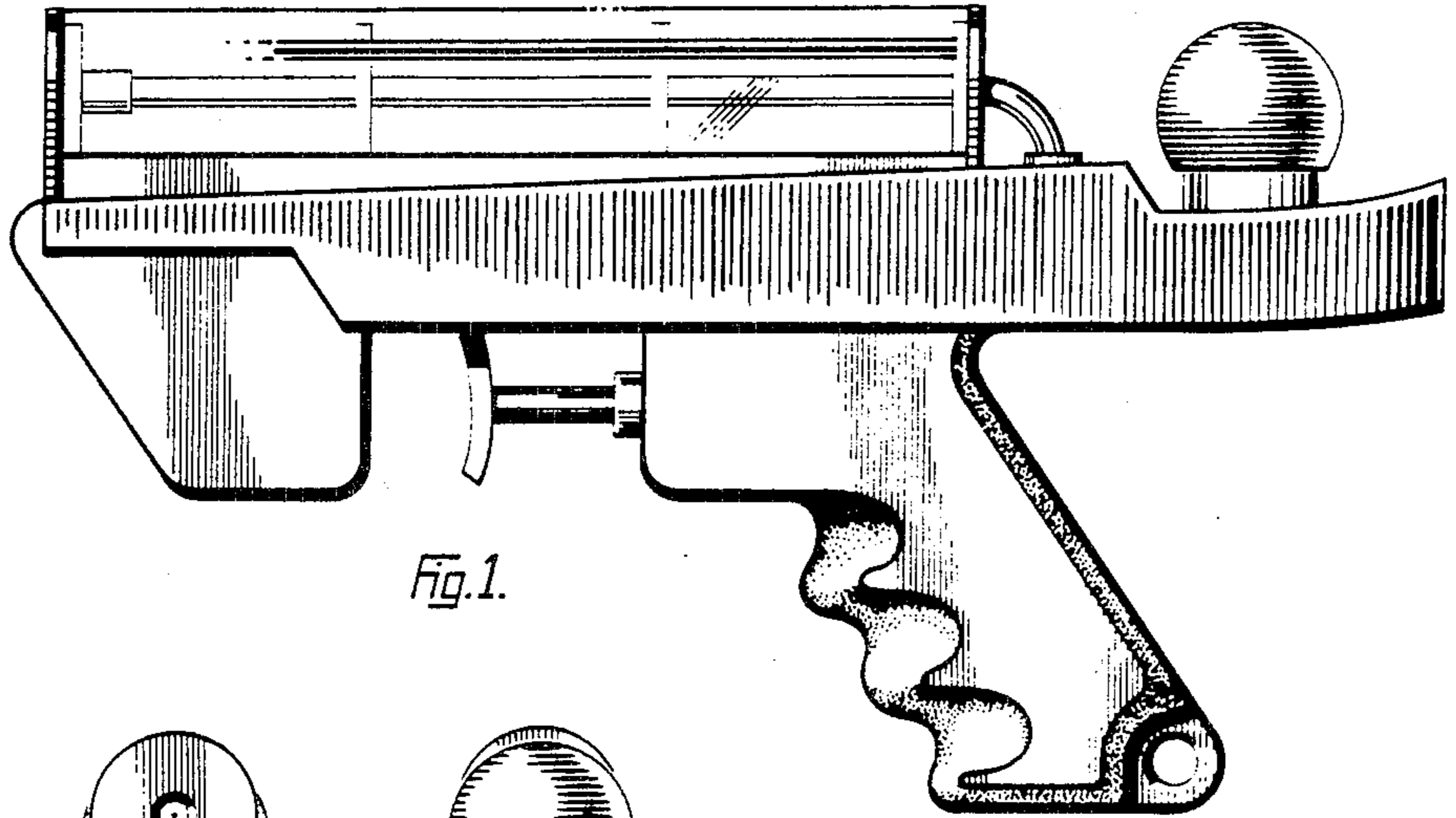


Fig. 1.

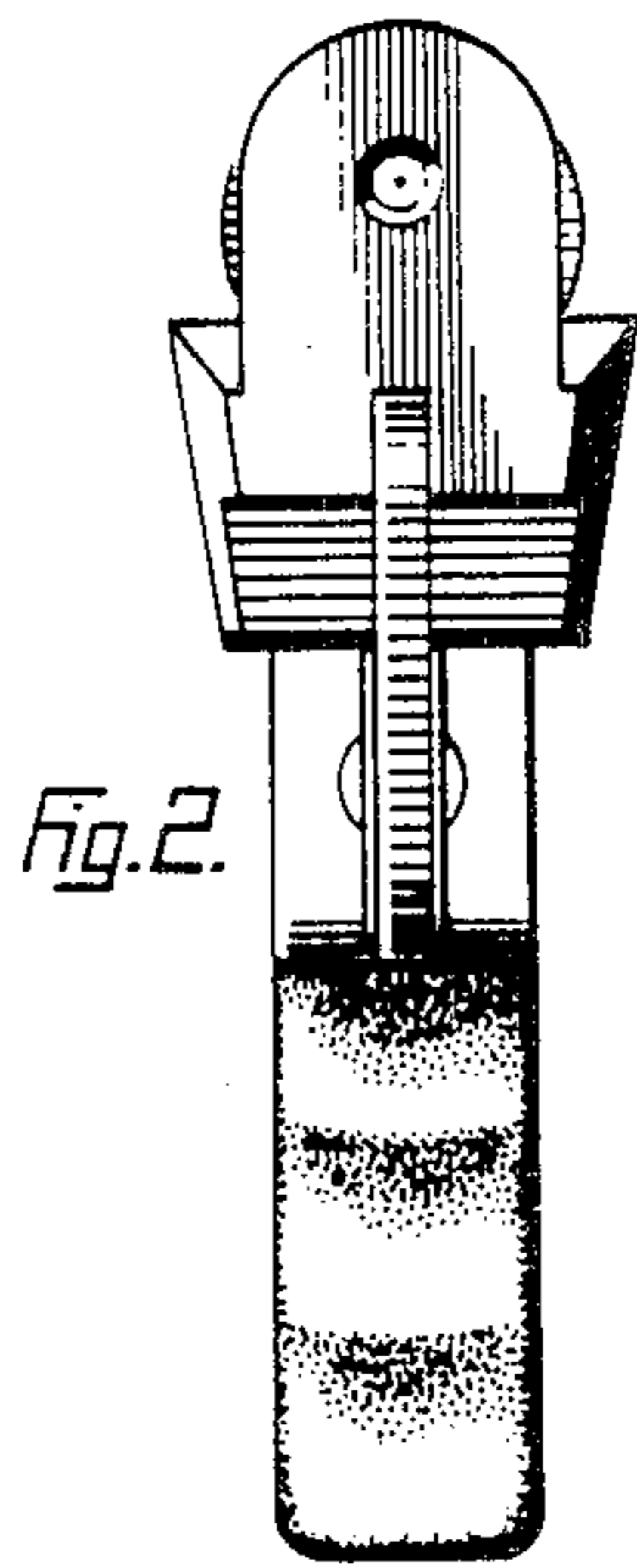


Fig. 2.

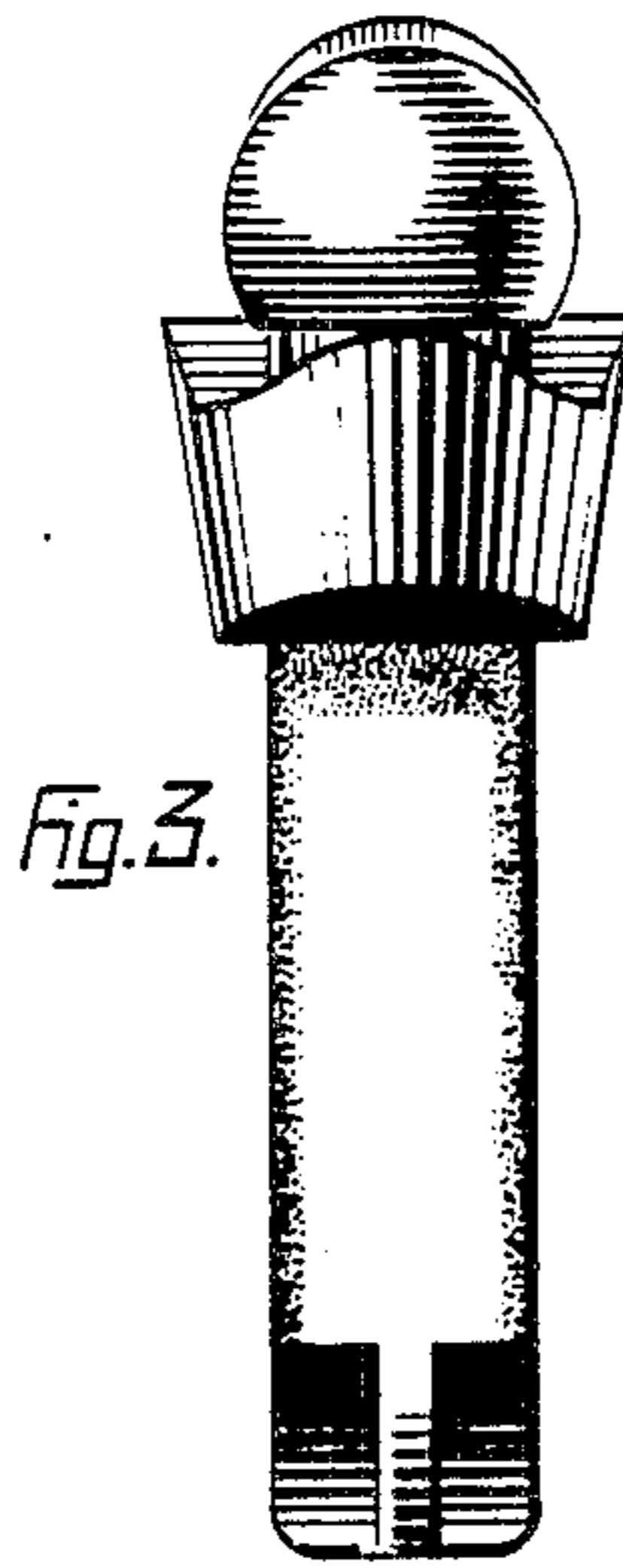


Fig. 3.

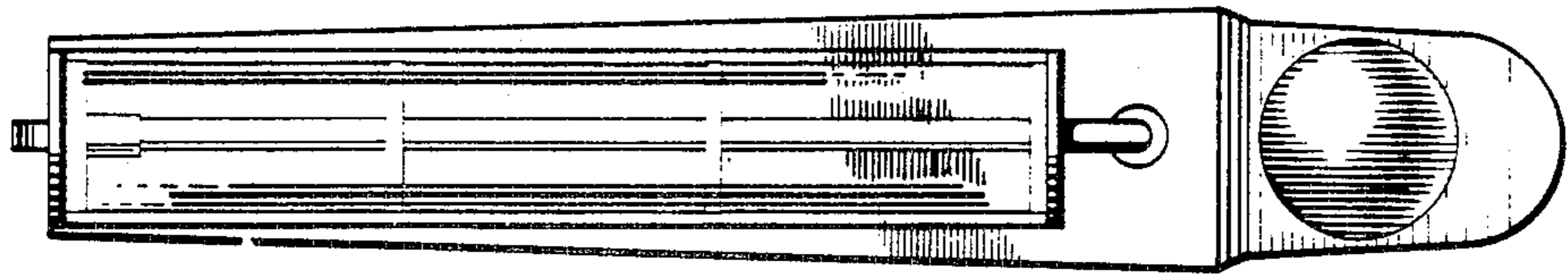


Fig. 4.

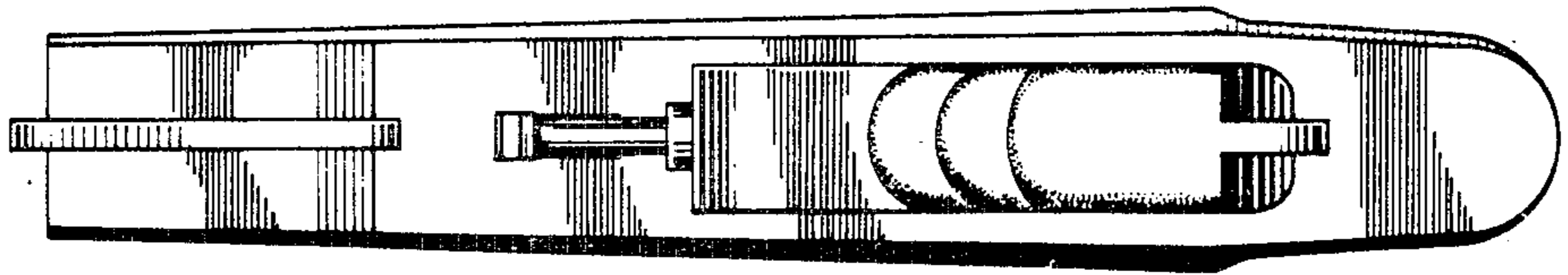


Fig. 5.