

[54] DEMONSTRATOR FOR ENGINE OIL ADDITIVE

[75] Inventor: Clinton H. Morey, Mesa, Ariz.

[73] Assignee: Dolores E. Stead, Federal Way, Wash.

[**] Term: 14 Years

[21] Appl. No.: 679,986

[22] Filed: Dec. 10, 1984

[52] U.S. Cl. D19/62

[58] Field of Search D19/59, 60, 62, 63, D19/64; 434/401, 388, 370

[56] References Cited

U.S. PATENT DOCUMENTS

- D. 254,793 4/1980 Morey D19/62
- D. 270,073 8/1983 Morey D19/62

3,172,666 3/1965 Ryan 434/401
3,193,293 7/1965 Schaper 434/401 X

Primary Examiner—Bernard Ansher
Assistant Examiner—Theodore M. Shooman
Attorney, Agent, or Firm—Graybeal & Cullom

[57] CLAIM

The ornamental design for demonstrator for engine oil additive, substantially as shown.

DESCRIPTION

FIG. 1 is an isometric view from an upper aspect of a demonstrator or engine oil additive, showing my new design;

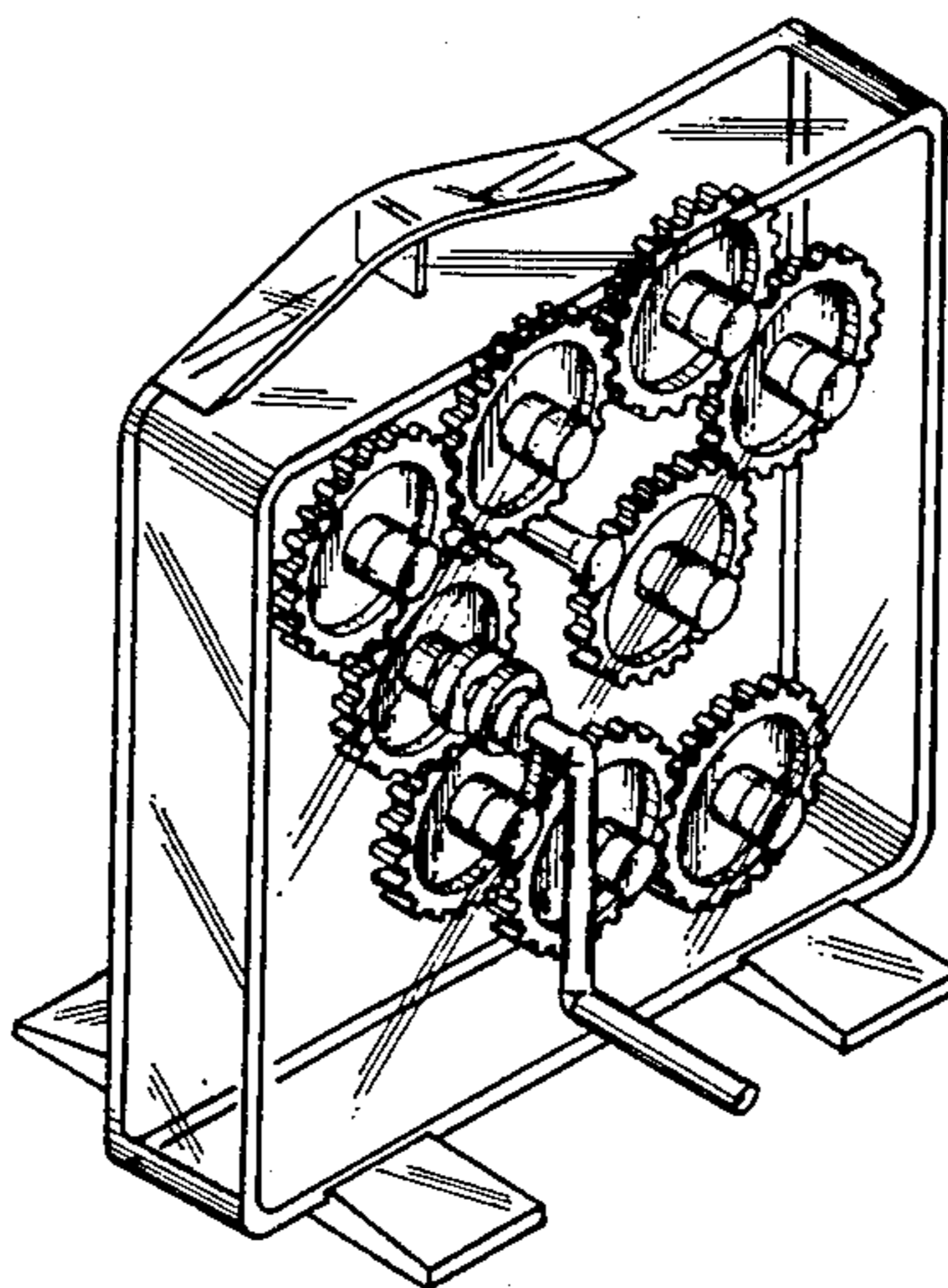
FIG. 2 is a front elevational view thereof;

FIG. 3 is a top plan view thereof;

FIG. 4 is a bottom plan view thereof;

FIG. 5 is a right side elevational view thereof; and

FIG. 6 is a left side elevational view thereof.



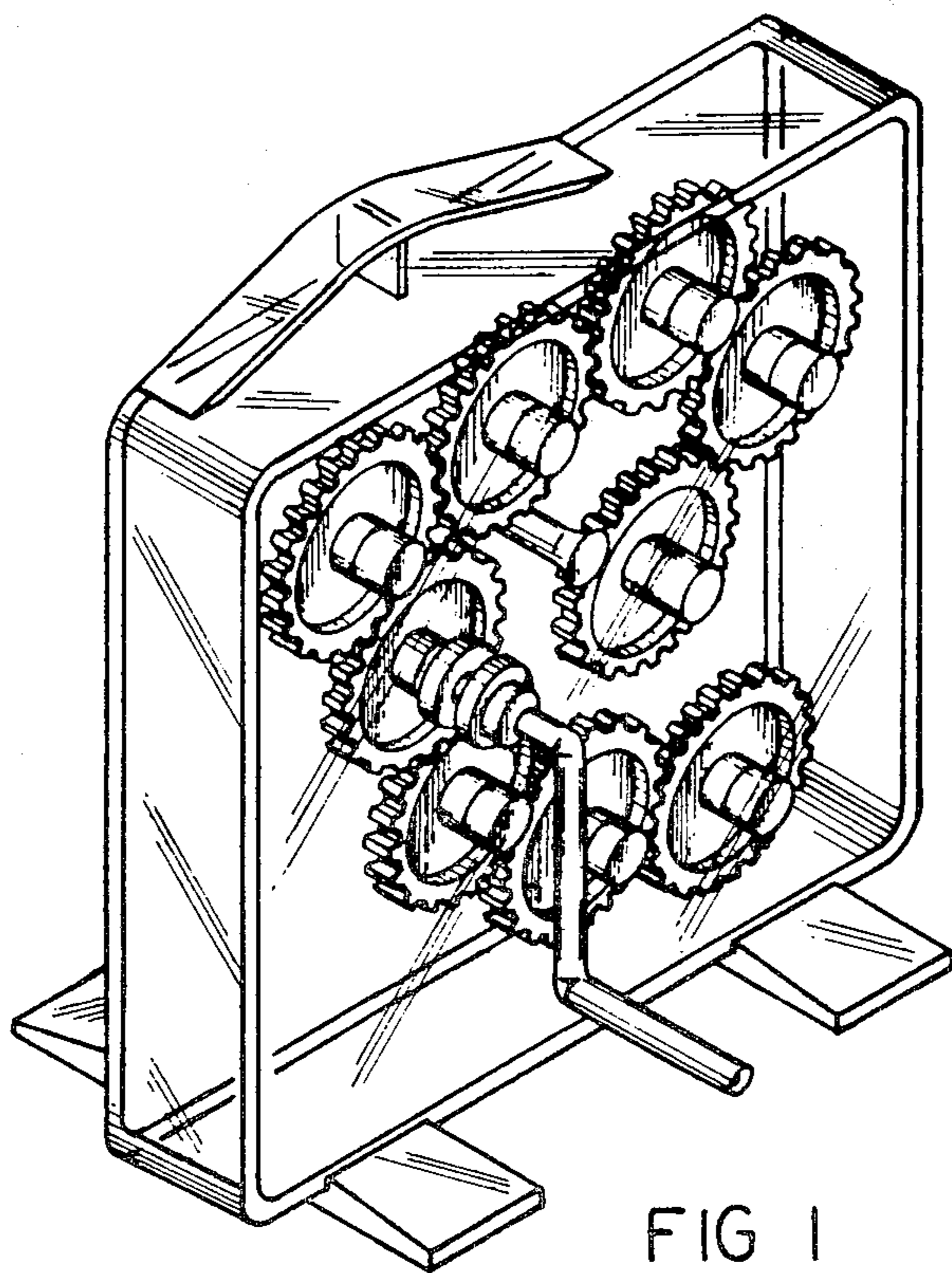


FIG 1

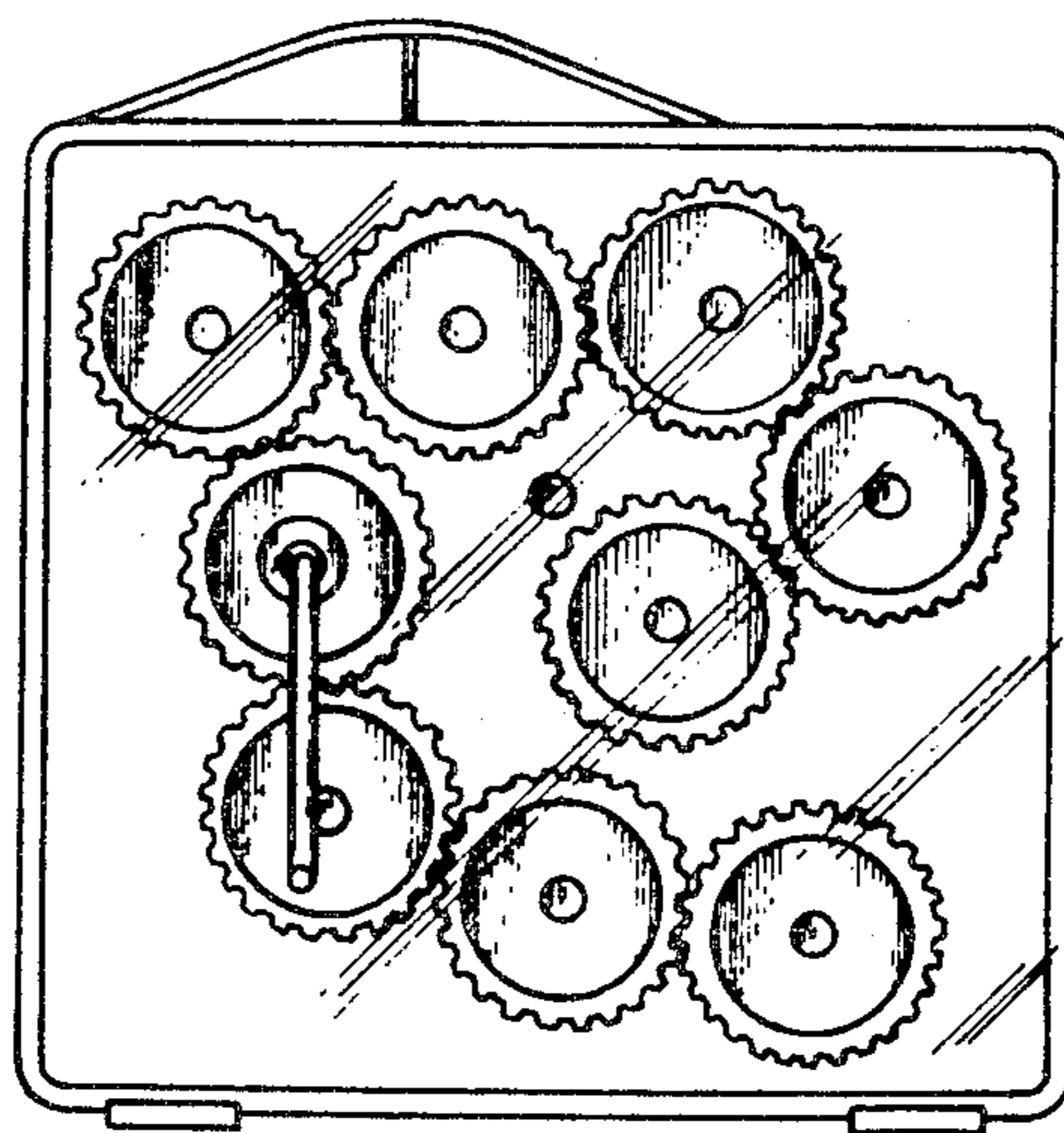


FIG 2

FIG 3

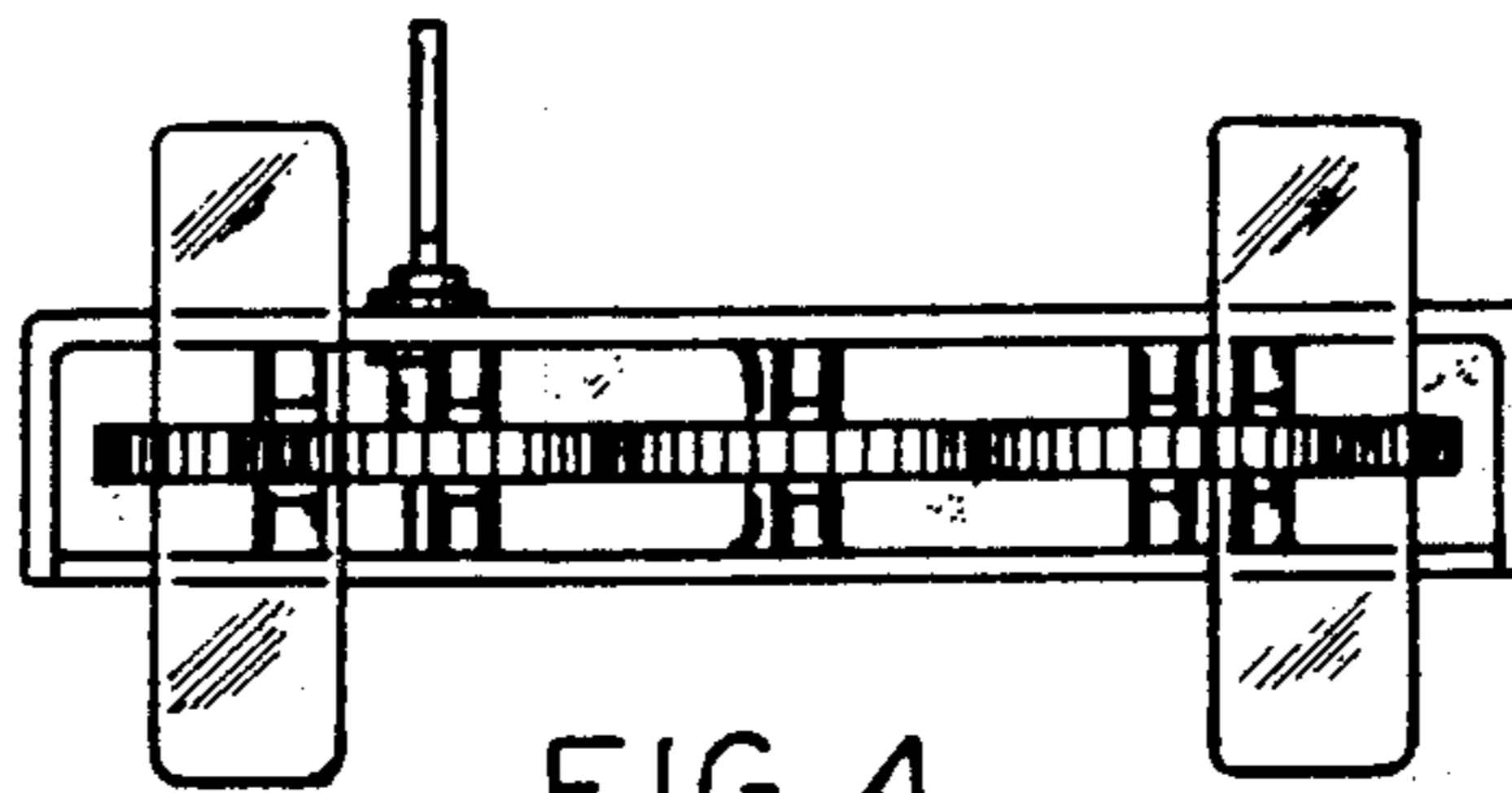
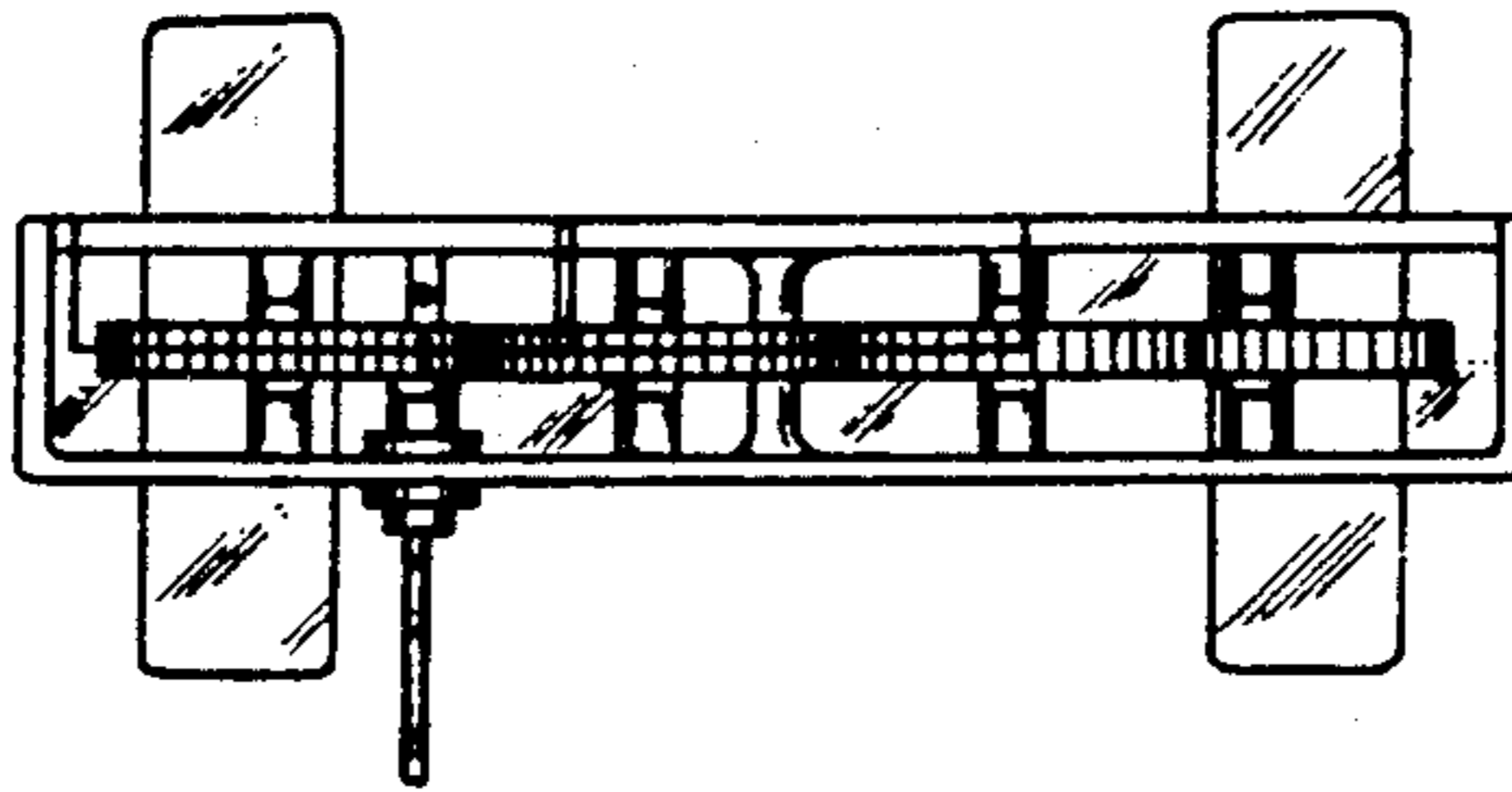


FIG 4

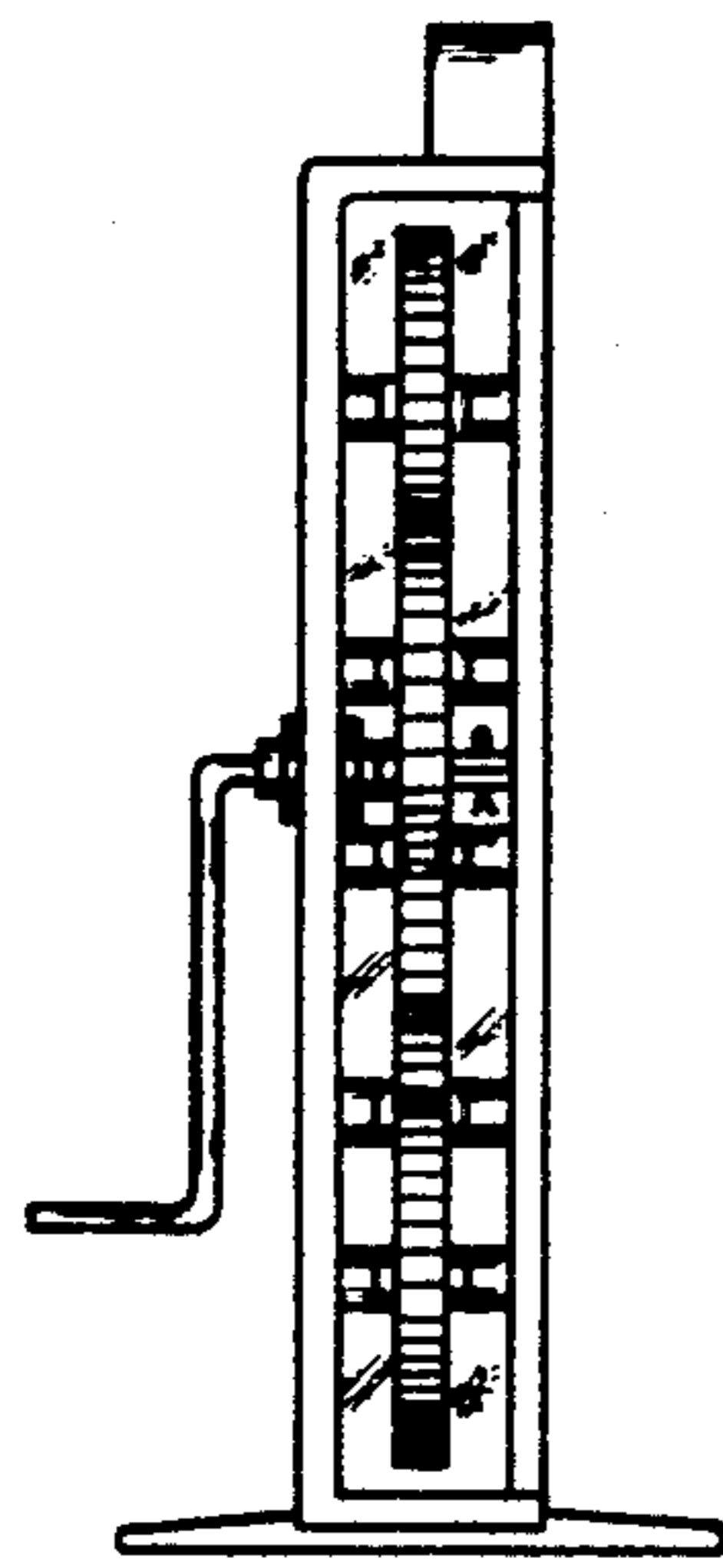


FIG 5

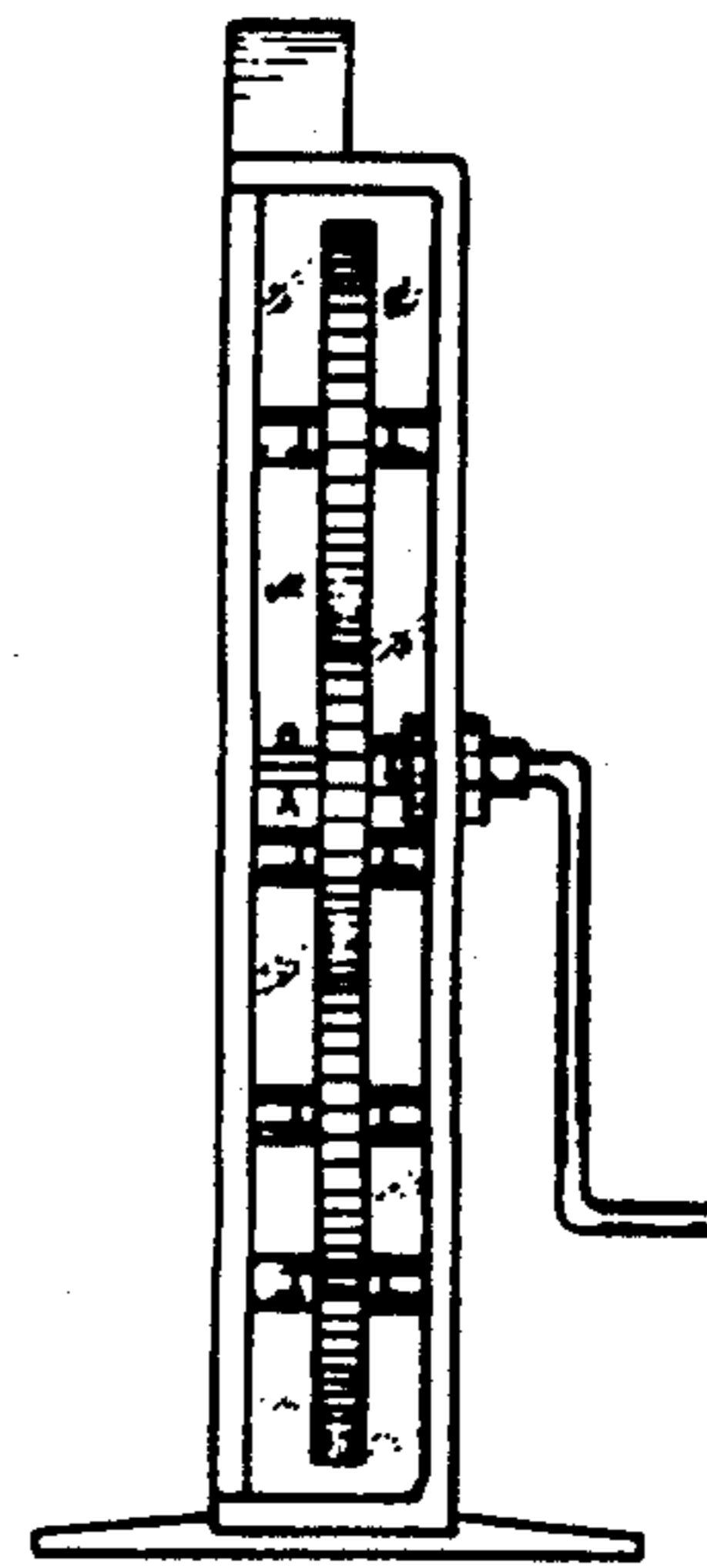


FIG 6