

[54] MOTOR CONTROLLED FOCUSING ATTACHMENT FOR TELESCOPES

[76] Inventor: James D. Burr, 1960 County Rd. 23, Evergreen, Colo. 80439

[\*\*] Term: 14 Years

[21] Appl. No.: 597,081

[22] Filed: Apr. 5, 1984

[52] U.S. Cl. .... D16/134; D16/136

[58] Field of Search ..... D16/130, 131, 132-136; 350/562-569

[56] References Cited

U.S. PATENT DOCUMENTS

- D. 175,503 9/1955 Gottschalk et al. .... D16/134 X
- D. 175,706 10/1955 Bednarz ..... D16/134
- D. 178,767 9/1956 Degrave, Jr. .... D16/134
- 1,792,171 2/1931 Kruening ..... D16/134 X

FOREIGN PATENT DOCUMENTS

463245 2/1914 France ..... 350/563

Primary Examiner—Susan J. Lucas  
Assistant Examiner—C. E. Heflin  
Attorney, Agent, or Firm—Robert E. Harris

[57] CLAIM

The ornamental design for a motor controlled focussing attachment for telescopes, as shown and described.

DESCRIPTION

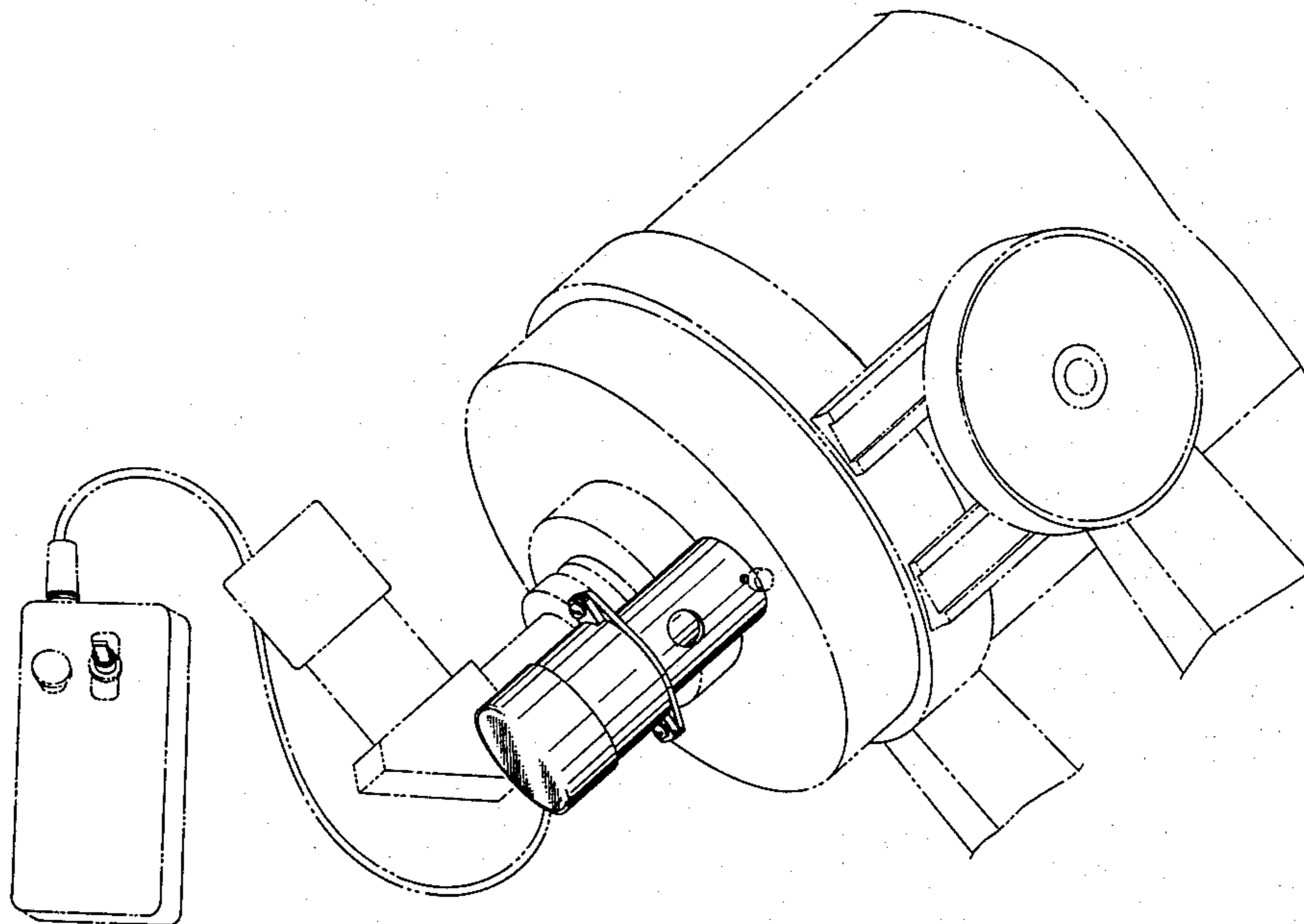
FIG. 1 is a perspective view of a motor controlled focussing attachment for telescopes showing my new design with a telescope shown in broken lines for illustrative purposes only;

FIG. 2 is an enlarged side elevation view thereof;

FIG. 3 is an enlarged top plan view thereof;

FIG. 4 is an enlarged front elevation view thereof;

FIG. 5 is an enlarged rear elevation view thereof.



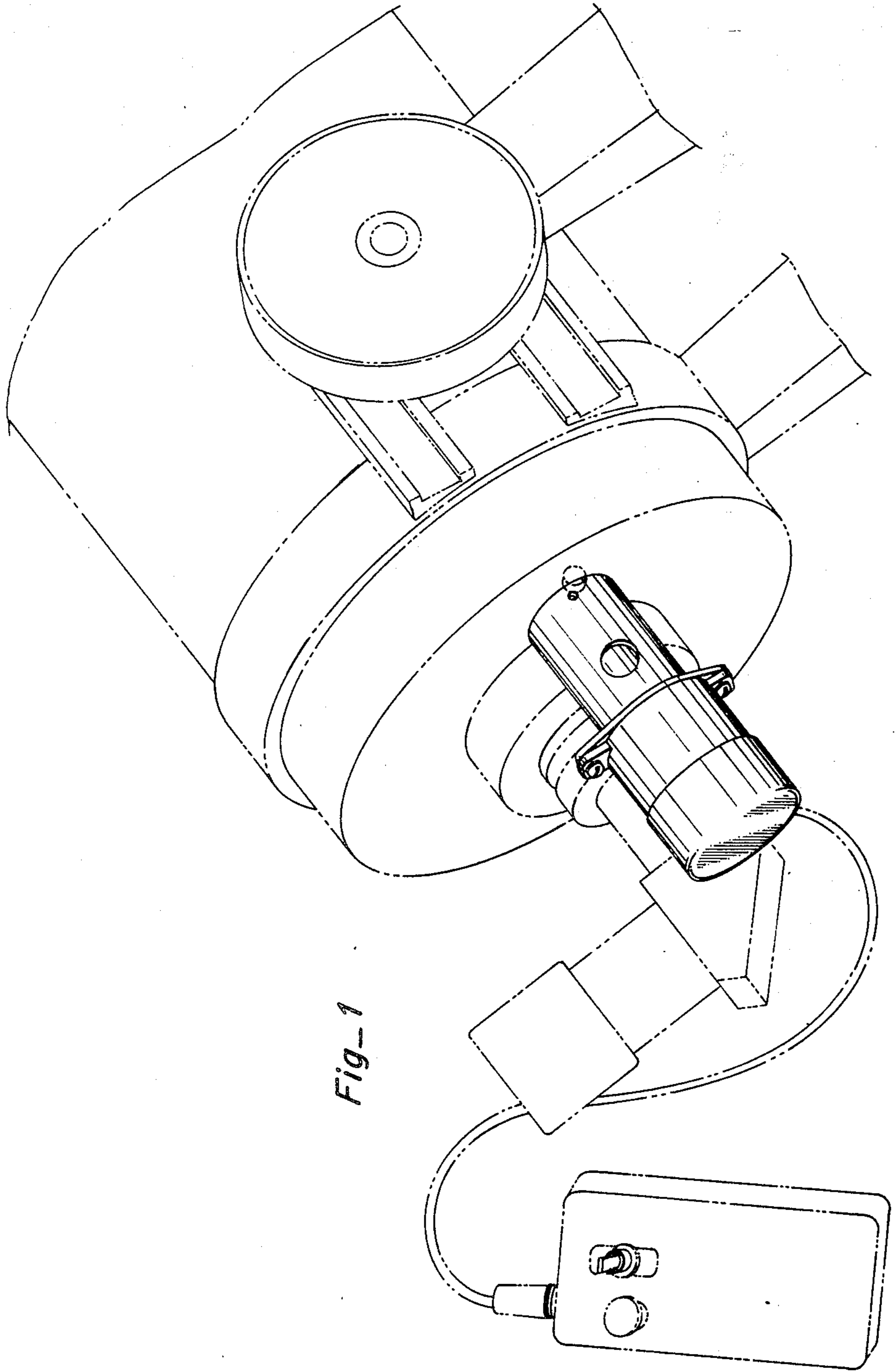
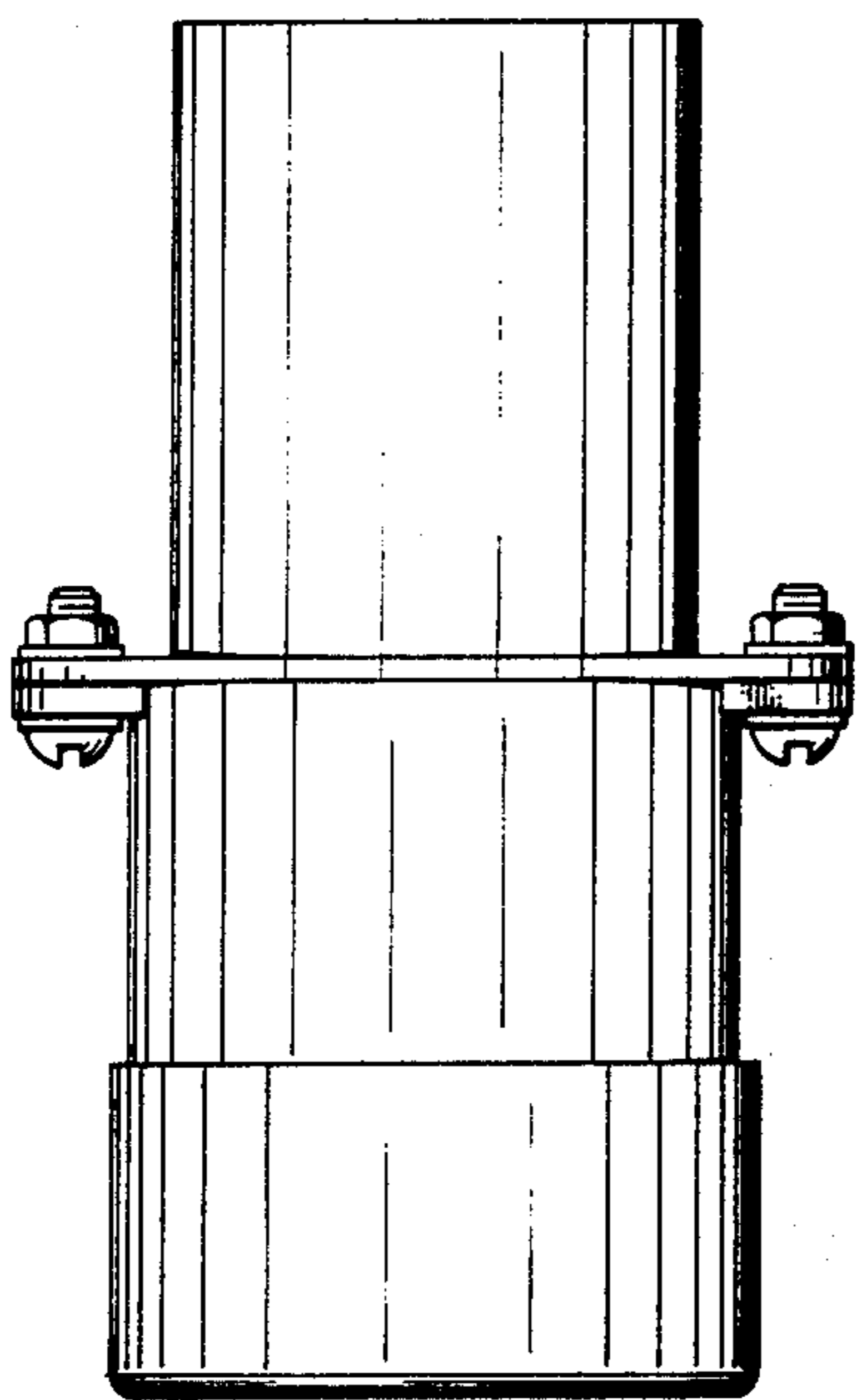
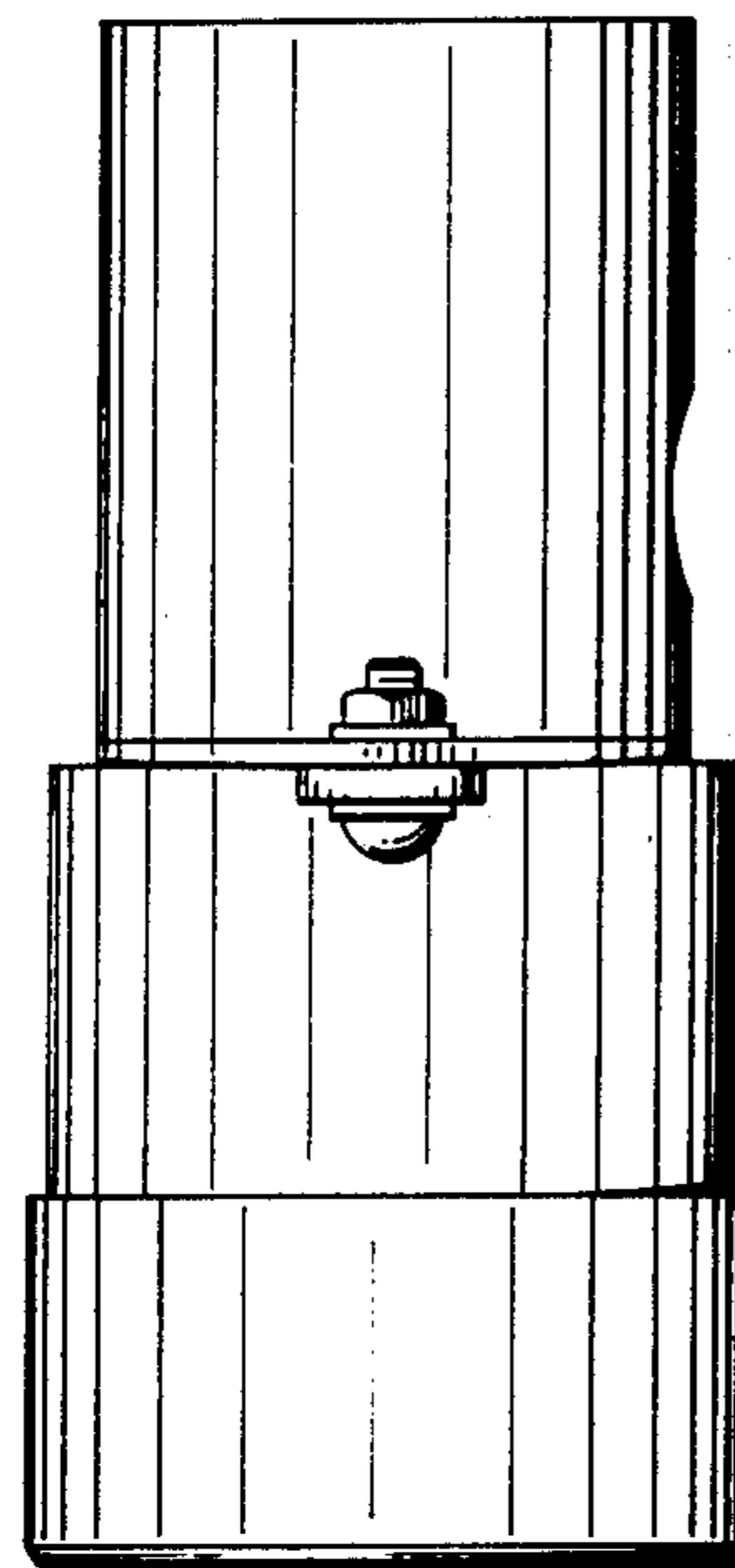


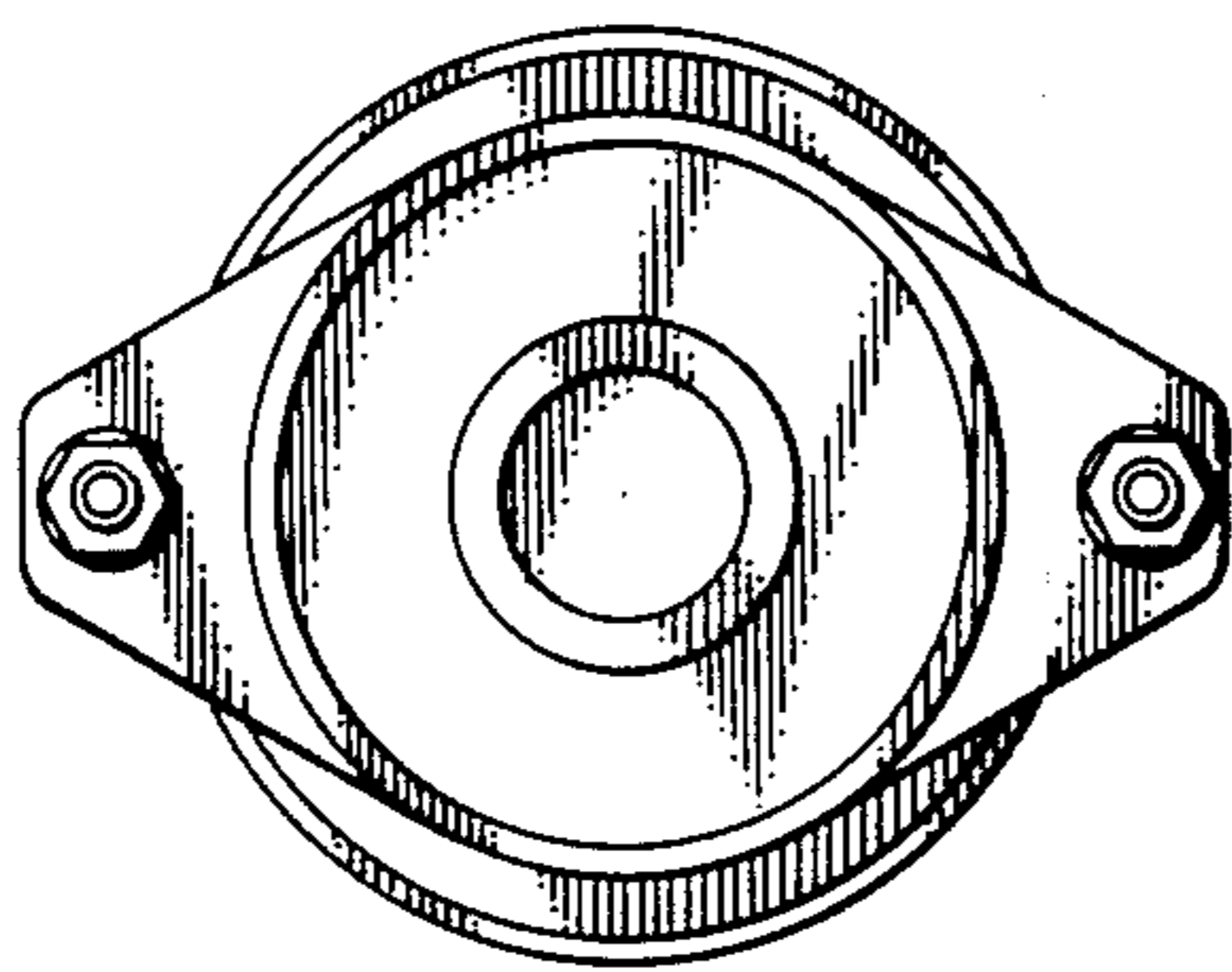
Fig-1



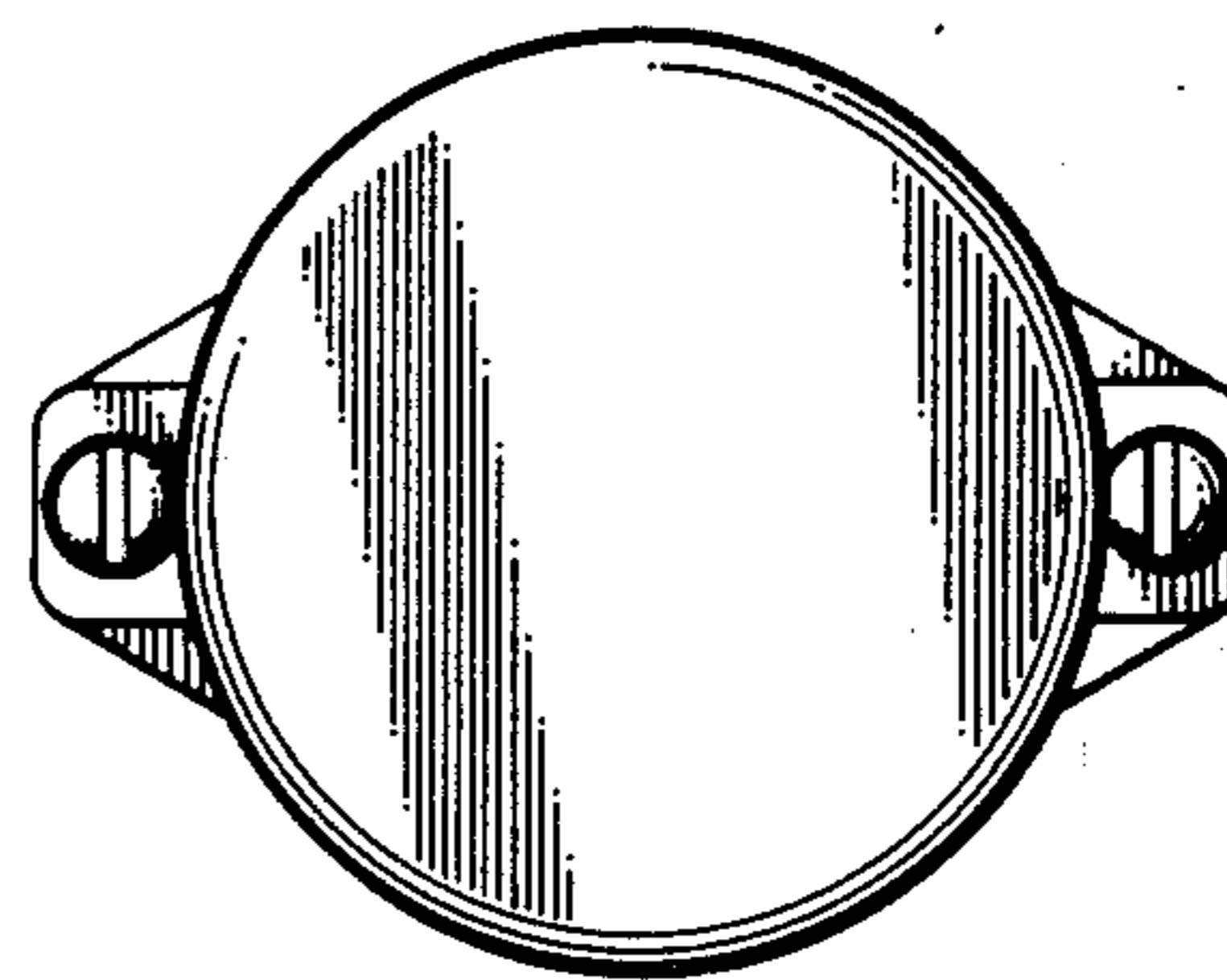
Fig\_2



Fig\_3



Fig\_4



Fig\_5