

[54] ROAD SURFACE CUTTER

4,204,714 5/1980 Jacobson et al. 299/39
4,456,303 6/1984 Due 299/39

[75] Inventors: Alan R. Morris; Ronald P. Parker,
both of Heage, England

FOREIGN PATENT DOCUMENTS

[73] Assignee: Bowmer & Kirkland Product Sales
Ltd., Derbyshire, England

2134165 8/1984 United Kingdom 299/39

[**] Term: 14 Years

Primary Examiner—B. J. Bullock
Assistant Examiner—Suzanne N. Gitlin
Attorney, Agent, or Firm—W. Thad Adams, III

[21] Appl. No.: 611,571

[57] CLAIM

[22] Filed: May 18, 1984

The ornamental design of a road surface cutter, as shown and described.

[30] Foreign Application Priority Data

Nov. 19, 1983 [GB] United Kingdom 1016369

DESCRIPTION

[52] U.S. Cl. D15/10; D15/12

[58] Field of Search D15/10, 11, 12, 19,
D15/21; 299/39, 40; 404/90, 91

FIG. 1 is a side elevational view of a road surface cutter showing our new design;

FIG. 2 is an enlarged top plan view thereof;

FIG. 3 is an enlarged rear elevational view thereof;

FIG. 4 is a side elevational view, opposite that shown in FIG. 1;

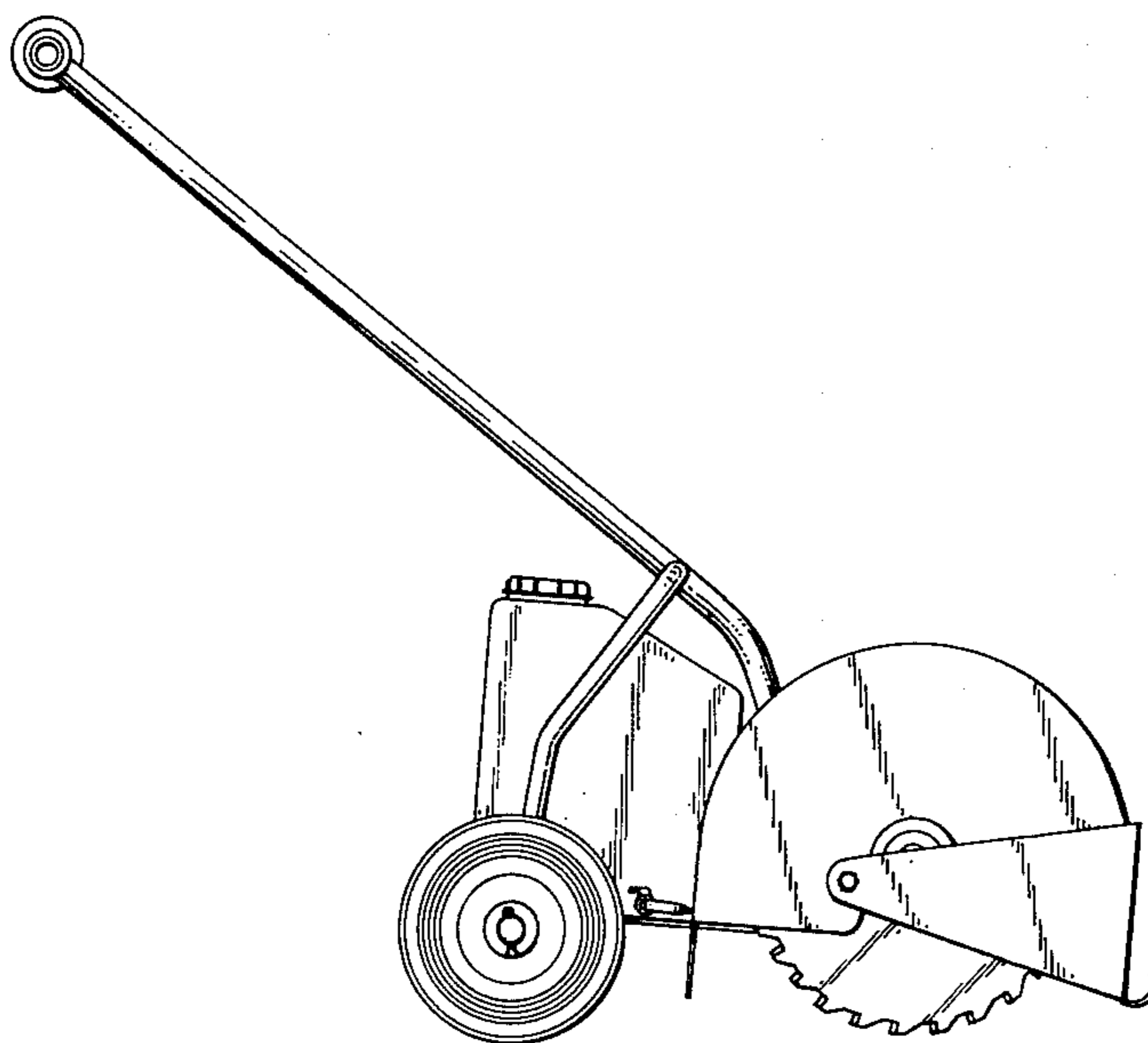
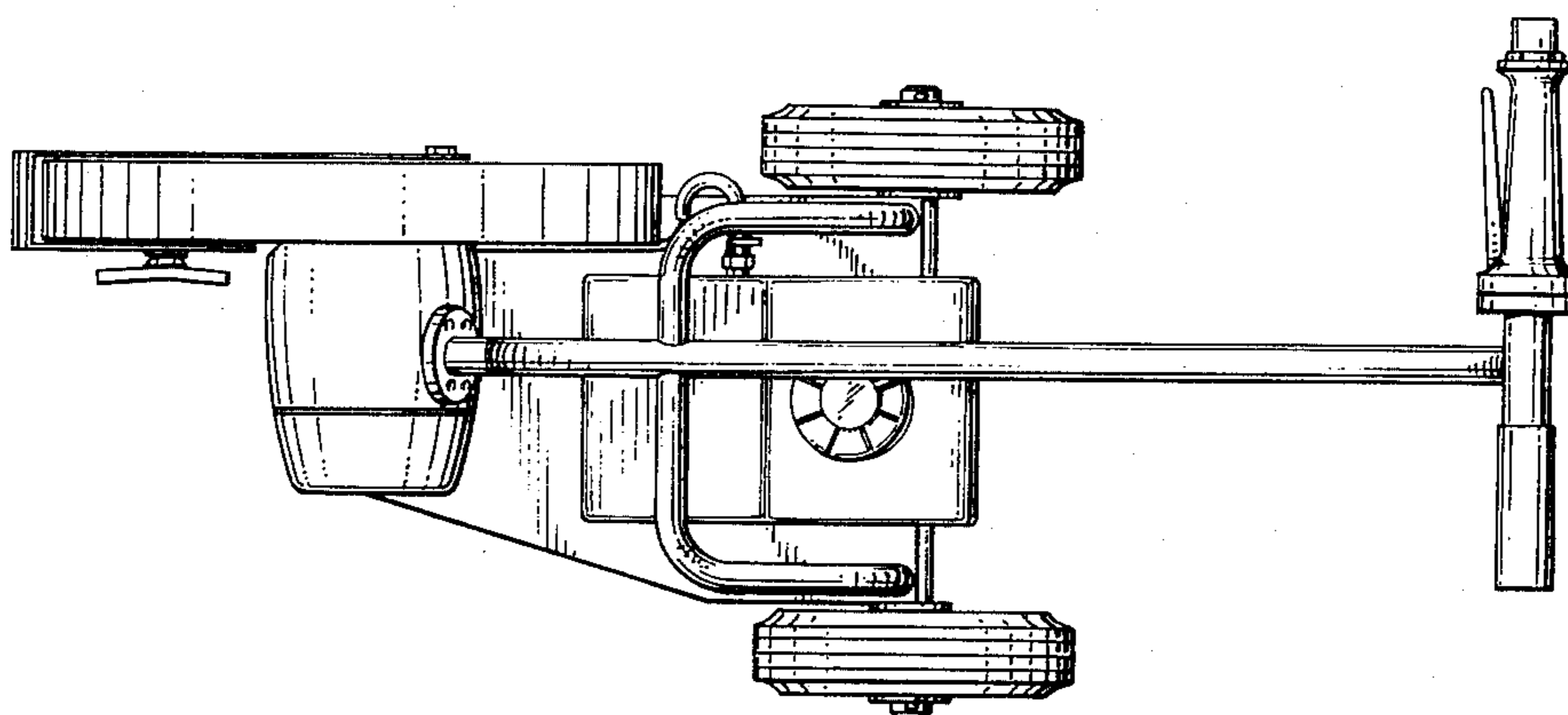
FIG. 5 is an enlarged front elevational view thereof.

The undisclosed bottom is unornamented.

[56] References Cited

U.S. PATENT DOCUMENTS

3,160,216 12/1964 Ormes 404/90
4,175,788 11/1979 Jacobson et al. 299/39



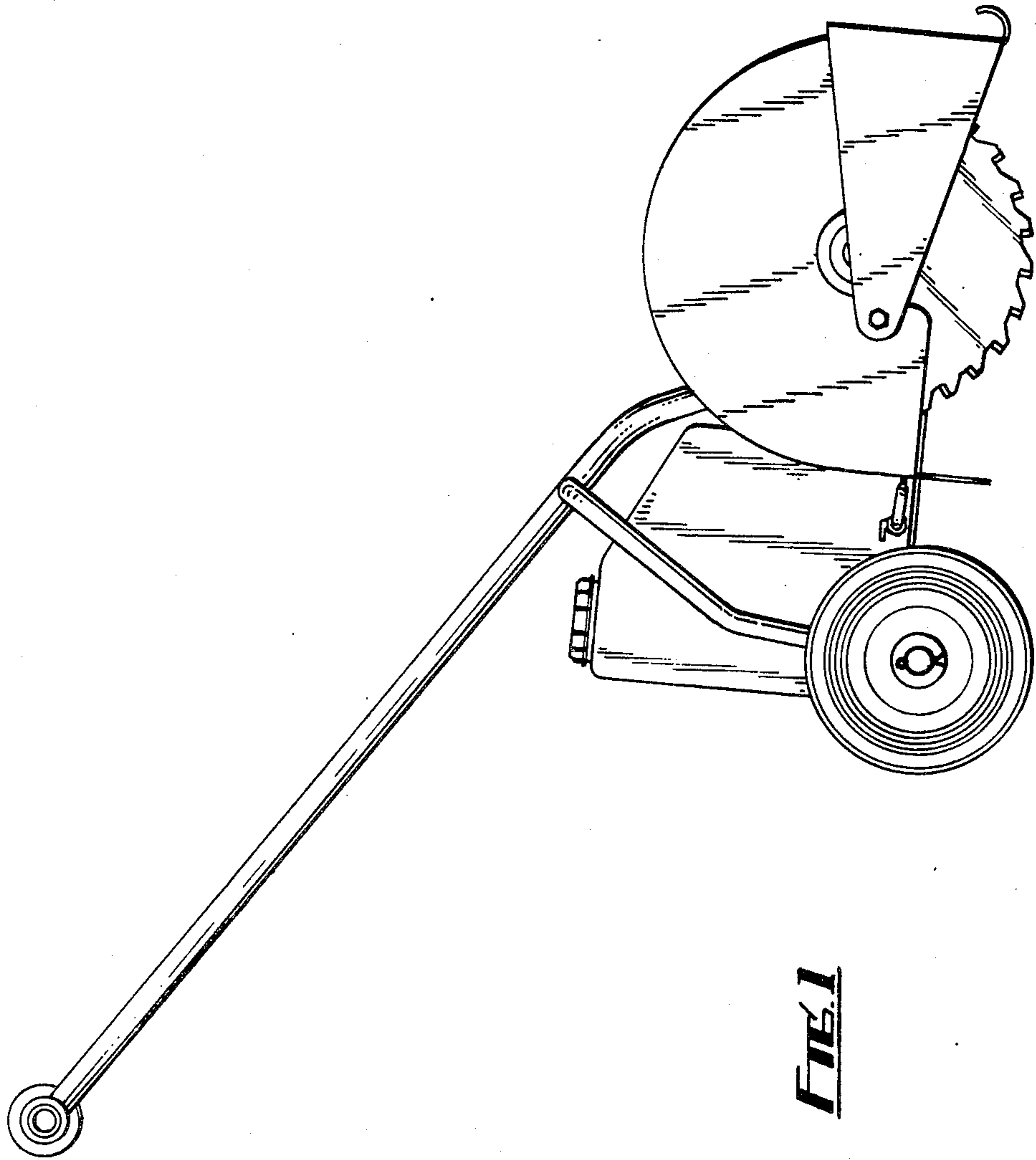


FIG. 1

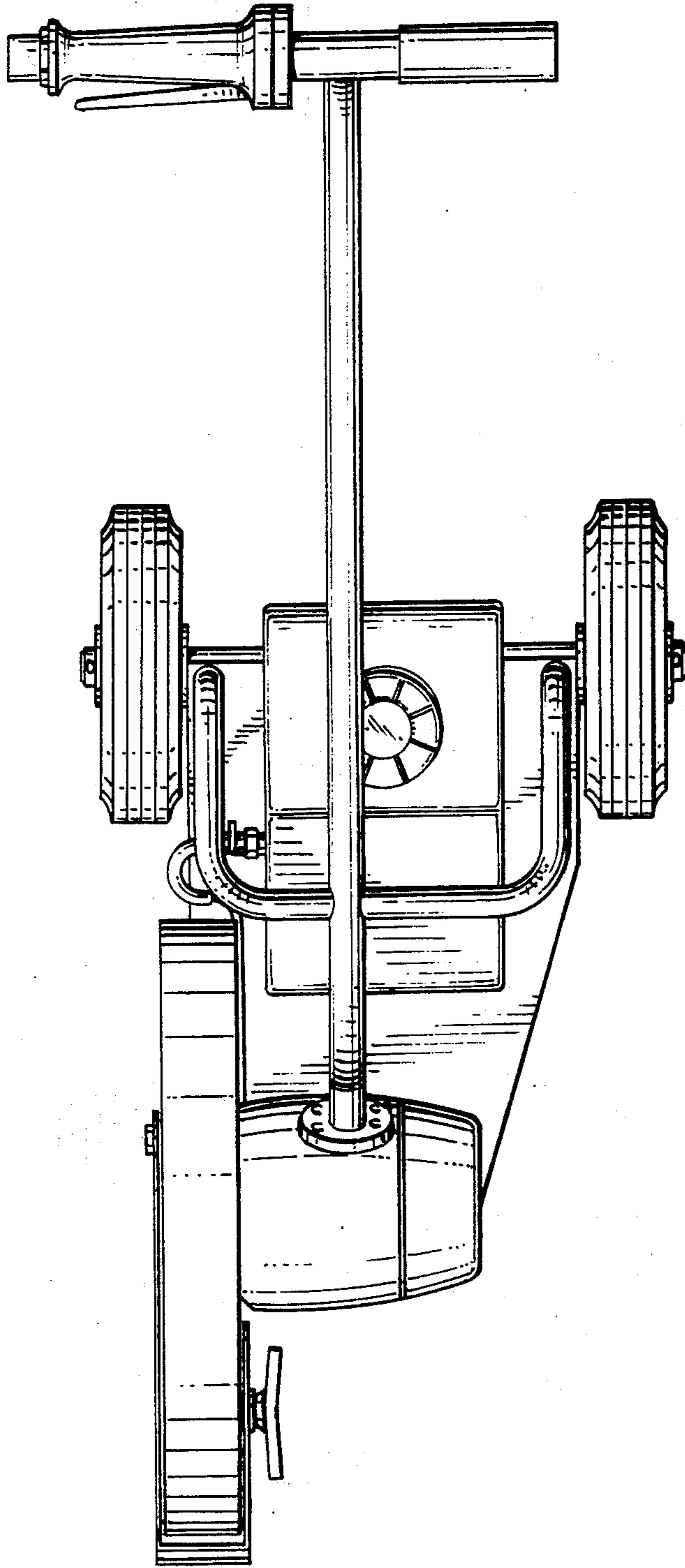


FIG. 2

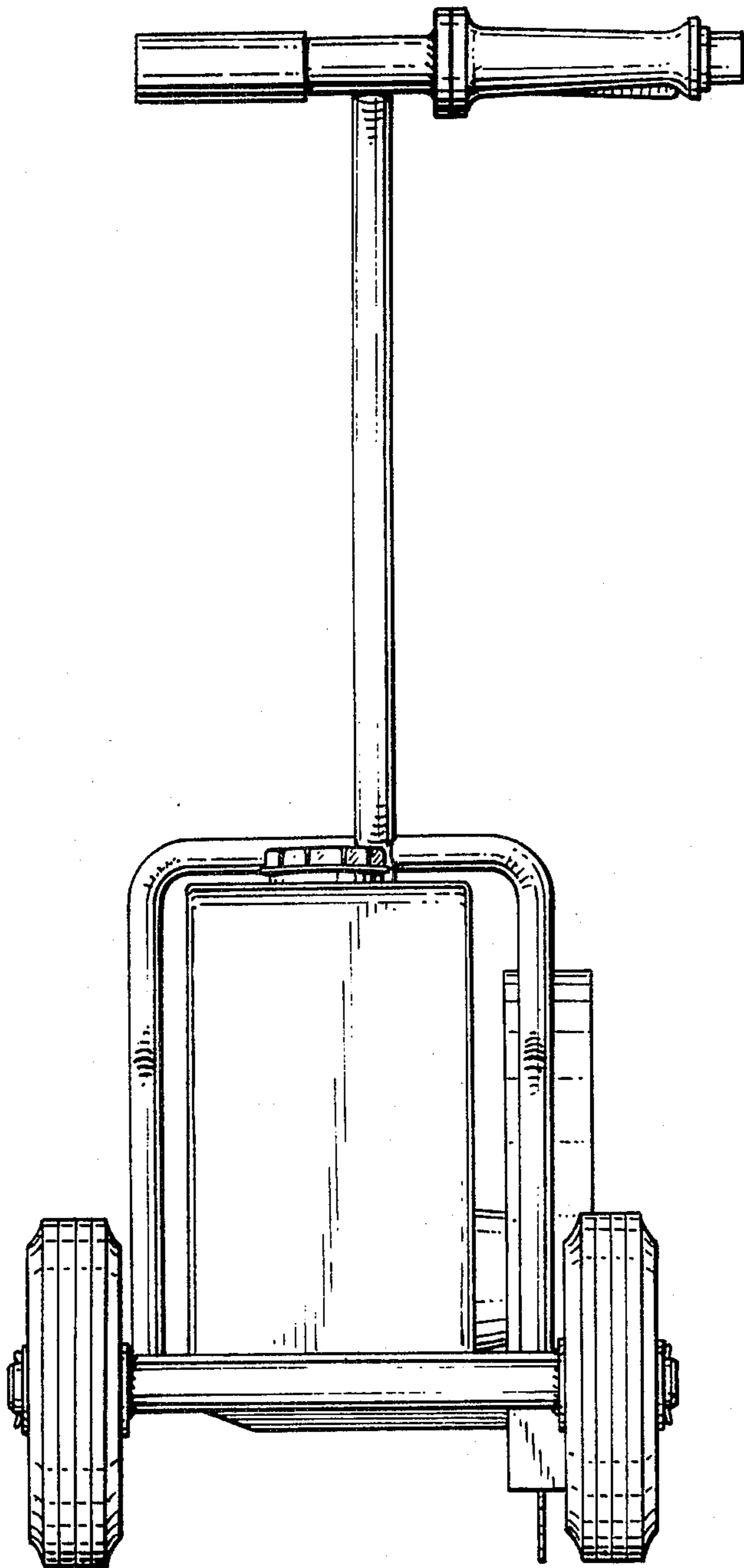
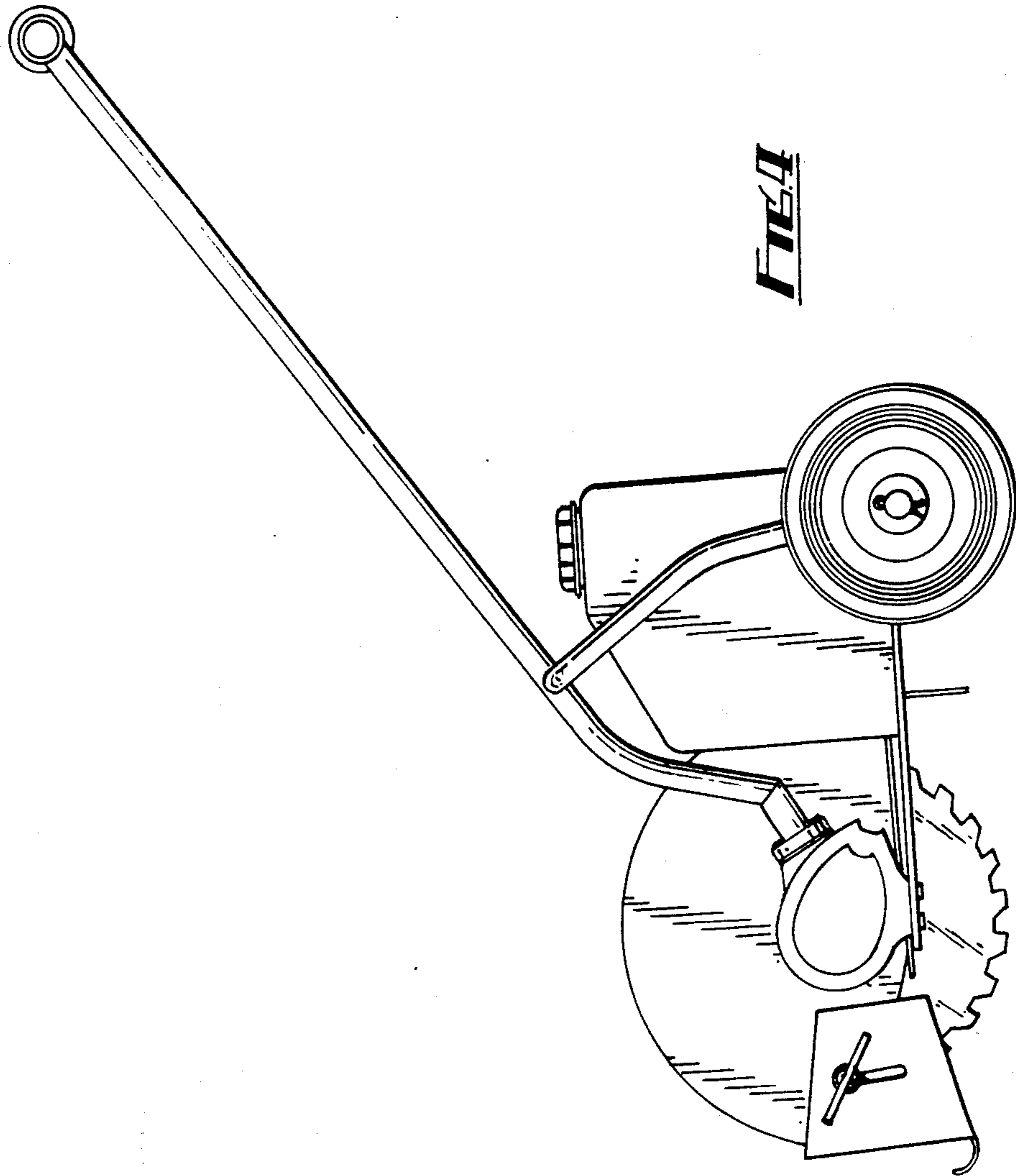


FIG. 3



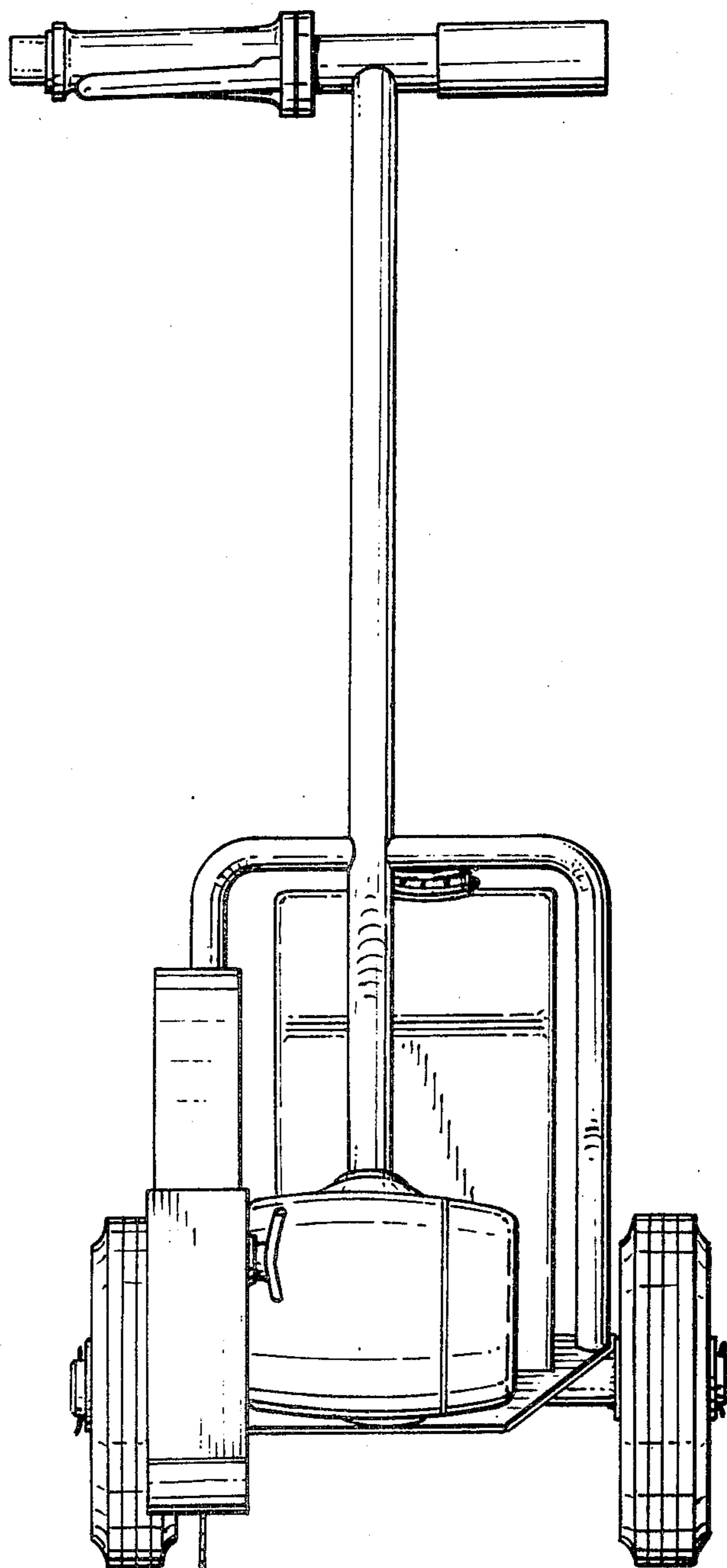


FIG. 5