

[54] PRINTER

[75] Inventor: Kunihide Miyazaki, Yokohama, Japan

[73] Assignee: Jeco Co., Ltd., Kanagawa, Japan

[**] Term: 14 Years

[21] Appl. No.: 686,574

[22] Filed: Dec. 27, 1984

[52] U.S. Cl. D14/111

[58] Field of Search D14/100, 107, 111, 114; D18/13, 22, 23; 400/690.1, 691, 693

[56] References Cited

U.S. PATENT DOCUMENTS

- D. 279,112 6/1985 Kikuchi et al. D14/111
- D. 282,470 2/1986 Dayton D14/111

OTHER PUBLICATIONS

Computer Design, 5-1983, p. 136, Thermal Printer.

Primary Examiner—Susan J. Lucas

Attorney, Agent, or Firm—Townsend & Townsend

[57] CLAIM

The ornamental design for a printer, substantially as shown and described.

DESCRIPTION

FIG. 1 is a perspective view of a printer showing our design;

FIG. 2 is a top plan view thereof;

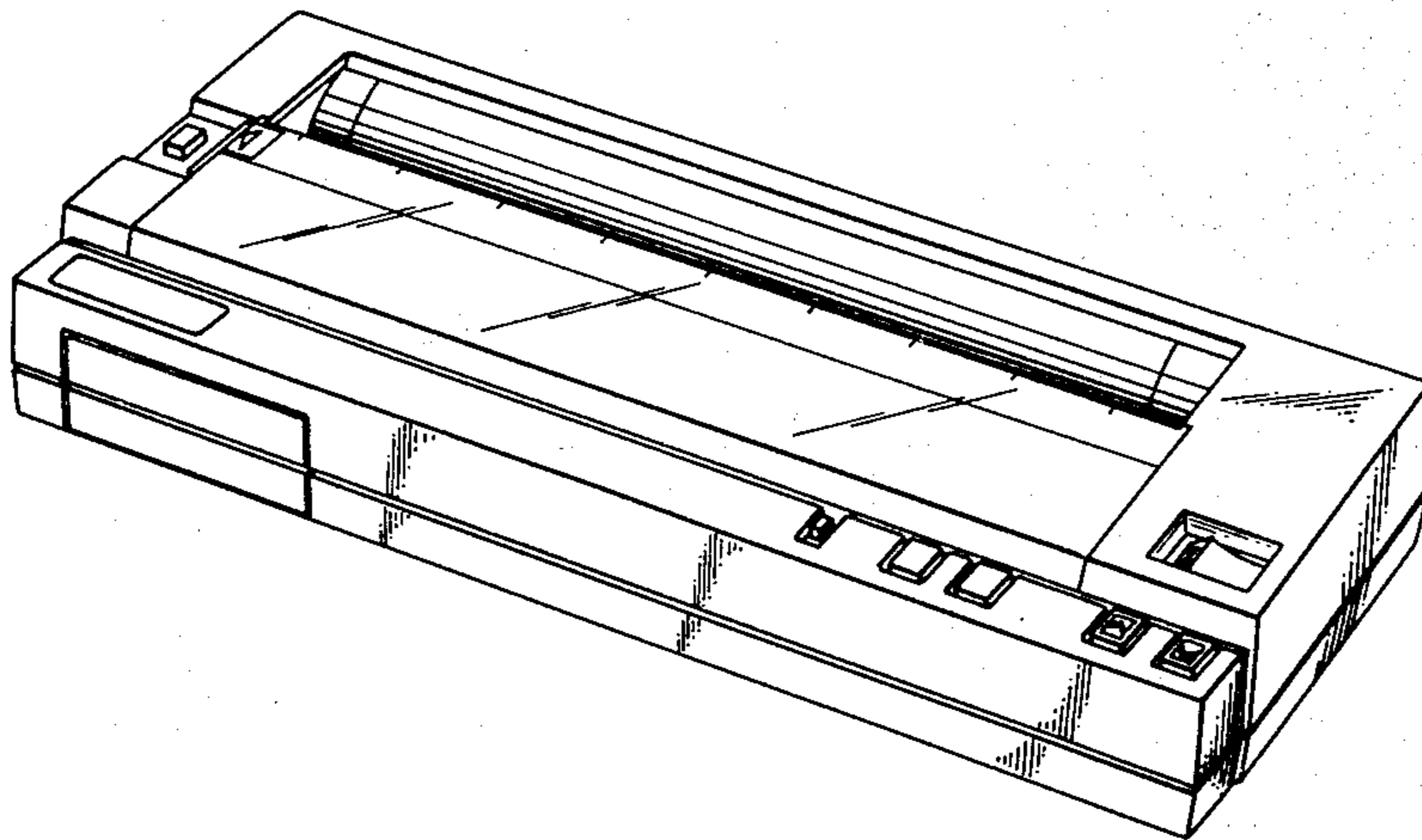
FIG. 3 is a front elevational view thereof;

FIG. 4 is a rear elevational view thereof;

FIG. 5 is a left side elevational view thereof;

FIG. 6 is a right side elevational view thereof;

FIG. 7 is a bottom plan view thereof.



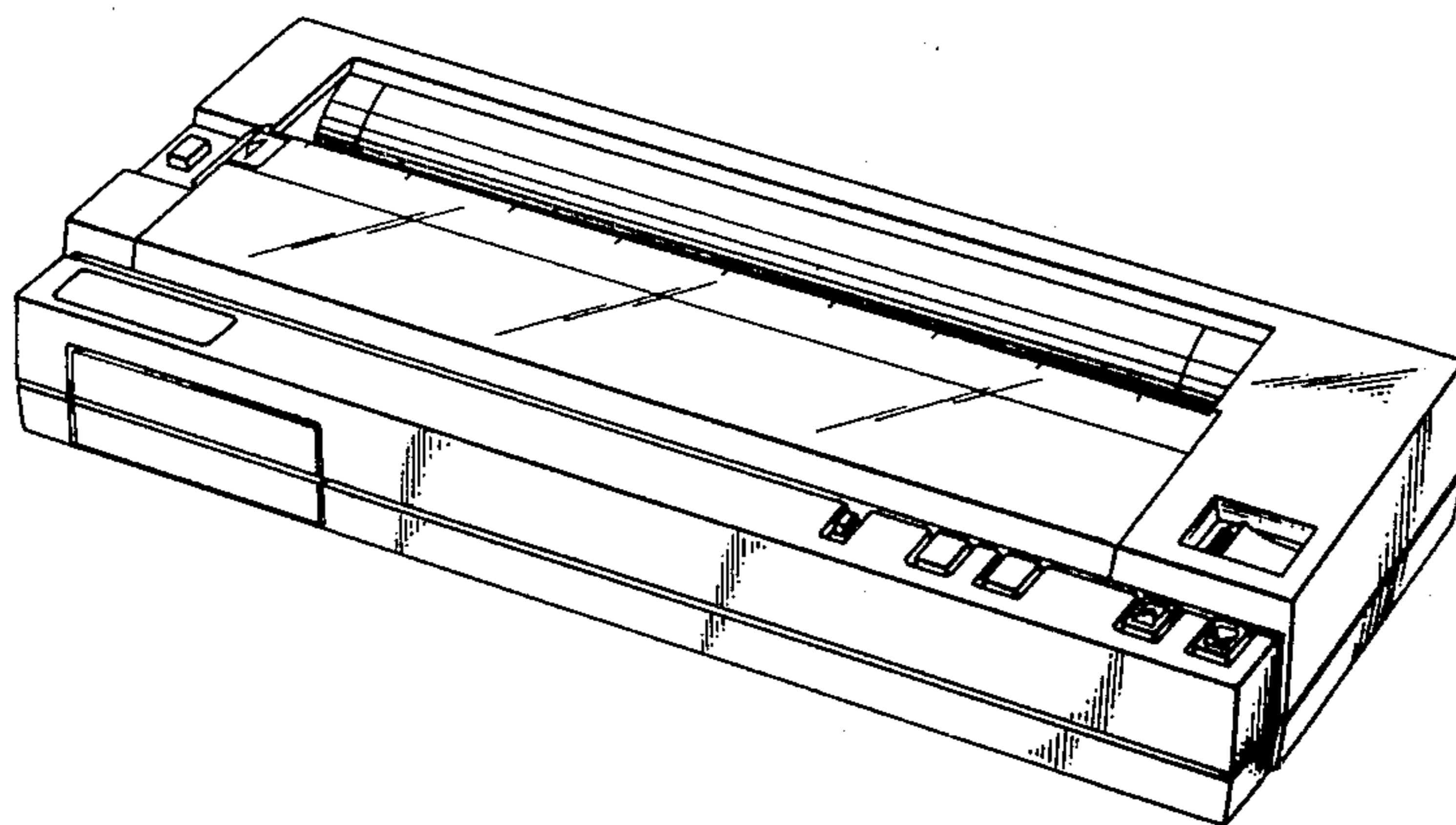


FIG. 1

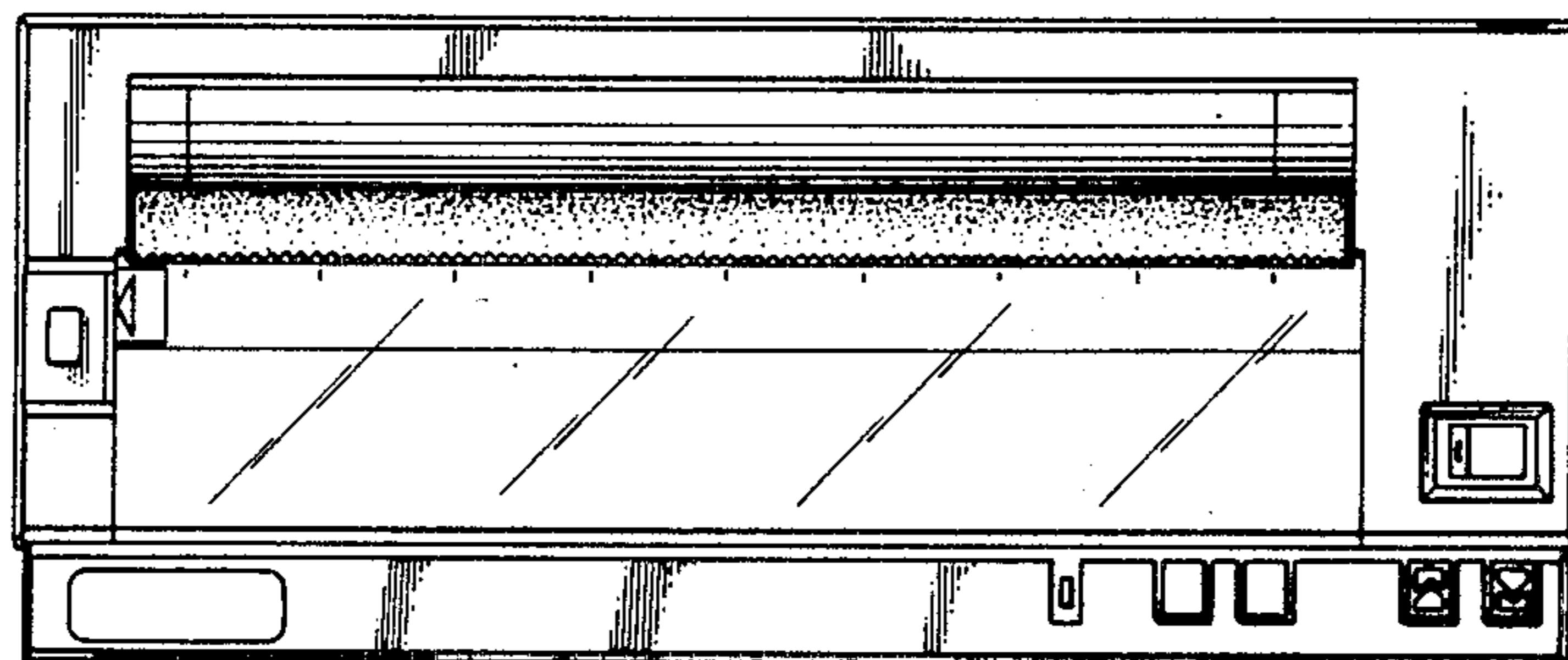


FIG. 2

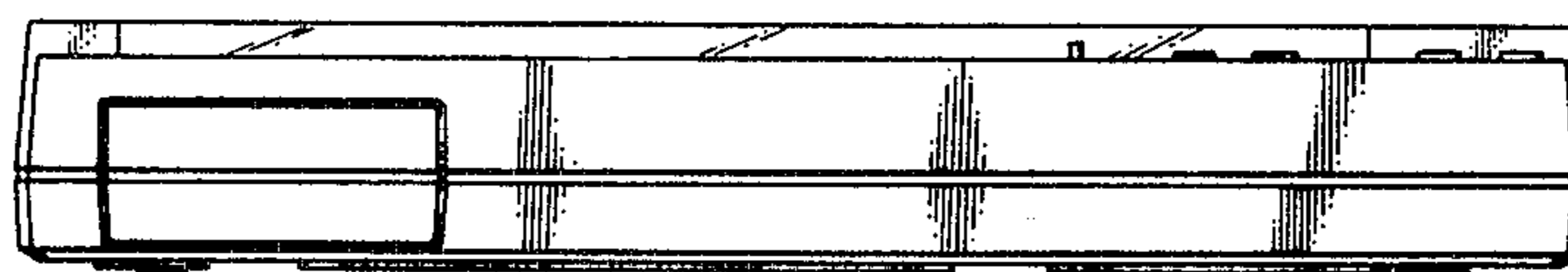


FIG. 3

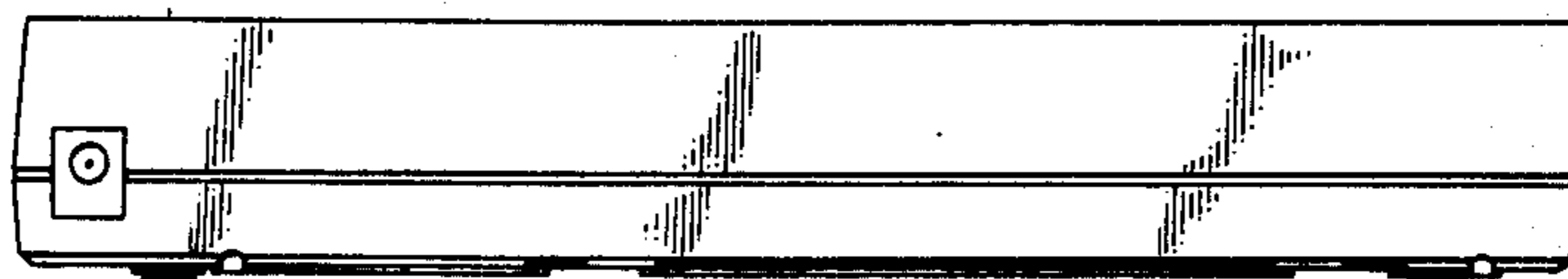


FIG. 4

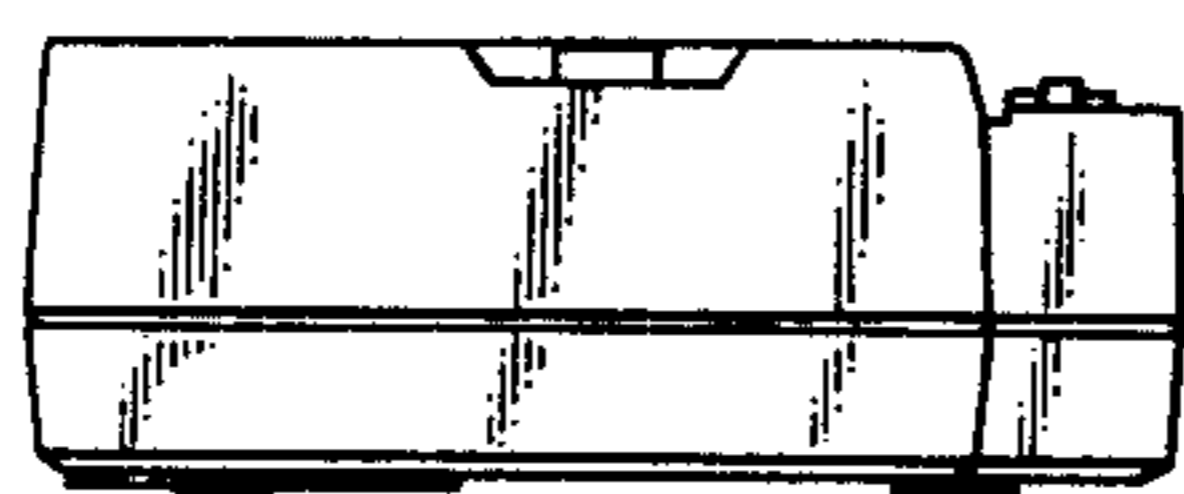


FIG. 5

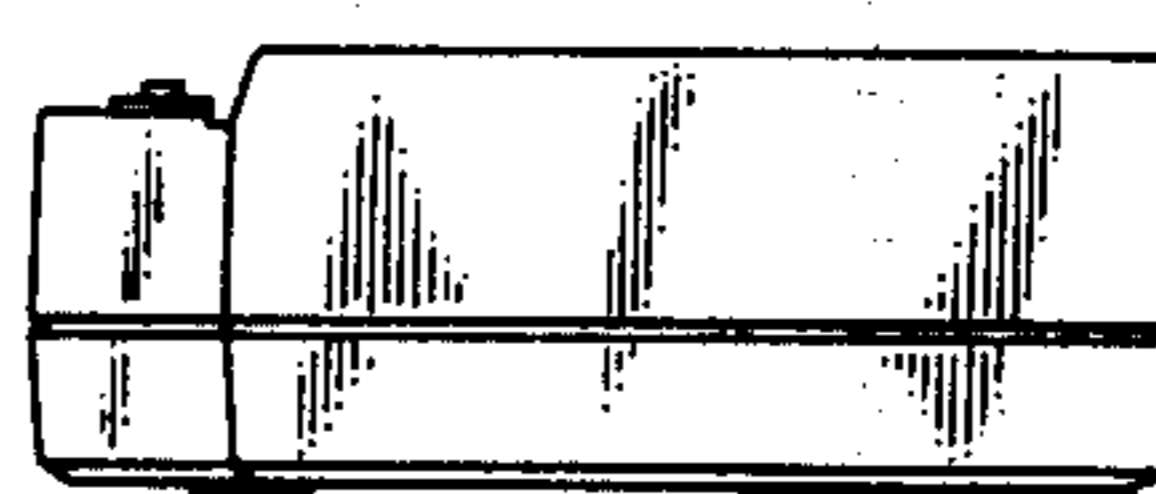


FIG. 6

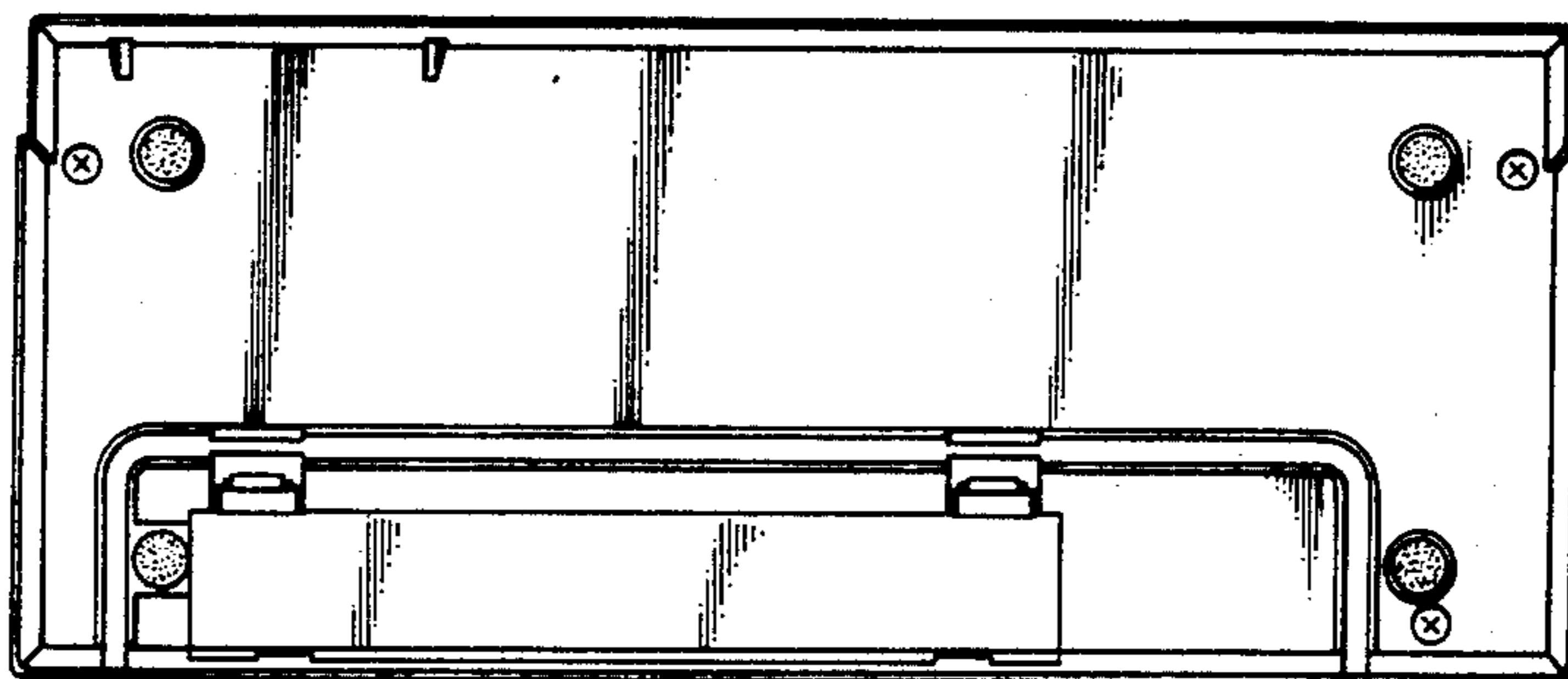


FIG. 7