

[54] **PAGE COMPOSER CONSOLE**

[75] **Inventor: Lewis W. Bennett, Nashua, N.H.**

[73] **Assignee: Itek Graphix Corp., Waltham, Mass.**

[\*\*] **Term: 14 Years**

[21] **Appl. No.: 601,415**

[22] **Filed: Apr. 18, 1984**

[52] **U.S. Cl. .... D14/100**

[58] **Field of Search ..... D14/100, 106, 113, 80-85;  
340/700; 358/254; 382/57**

[56] **References Cited**

**U.S. PATENT DOCUMENTS**

D. 273,867 5/1984 Sanders et al. .... D14/106  
D. 279,189 6/1985 Tsumura et al. .... D14/113

*Primary Examiner*—Susan J. Lucas

[57] **CLAIM**

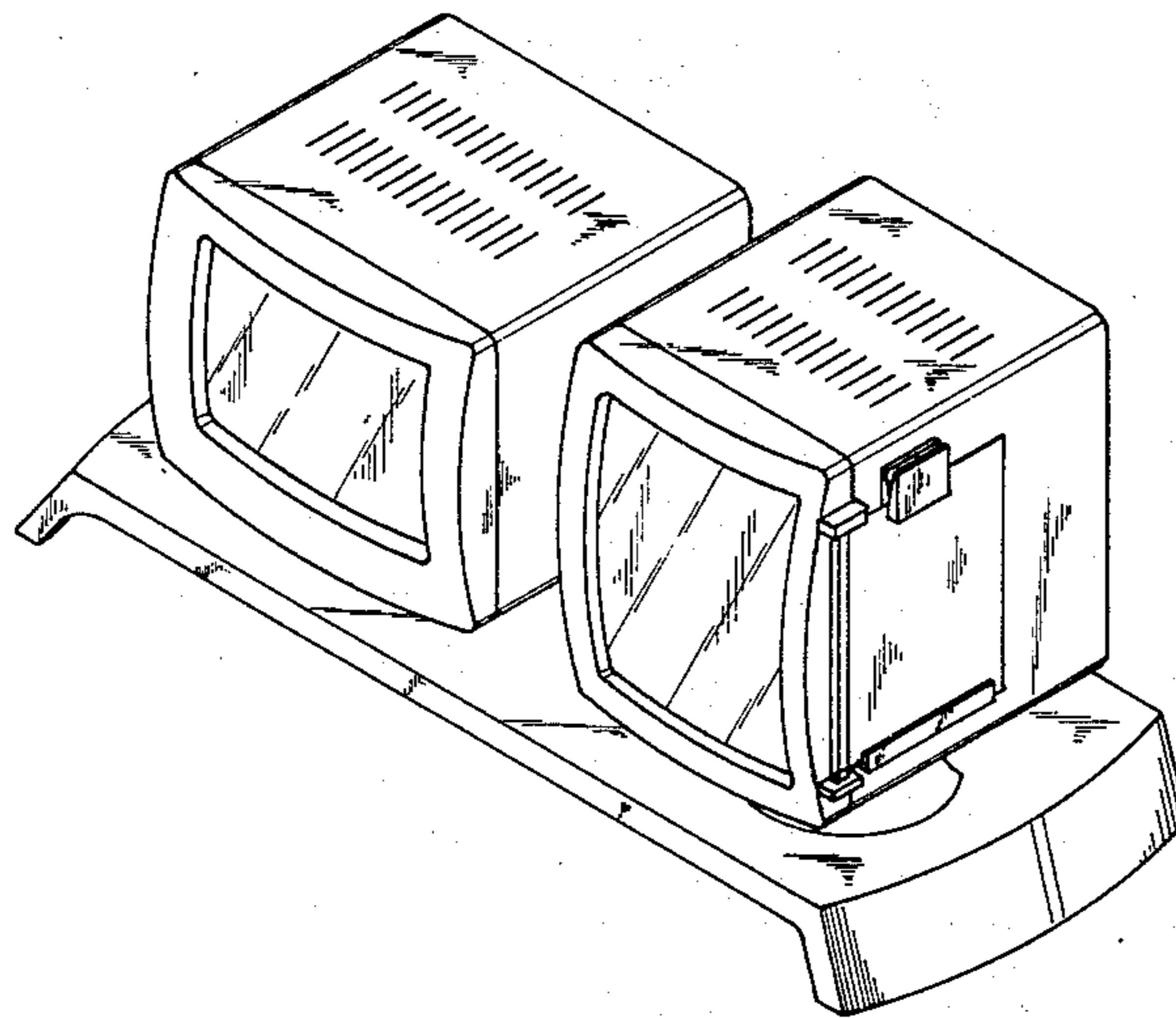
The ornamental design for the page composer console, as shown and described.

**DESCRIPTION**

FIG. 1 is an axonometric view of the page composer console showing my new design.

FIG. 2 is a side elevation view of the console.

FIG. 3 is an end elevational view as seen from the right of FIG. 2.



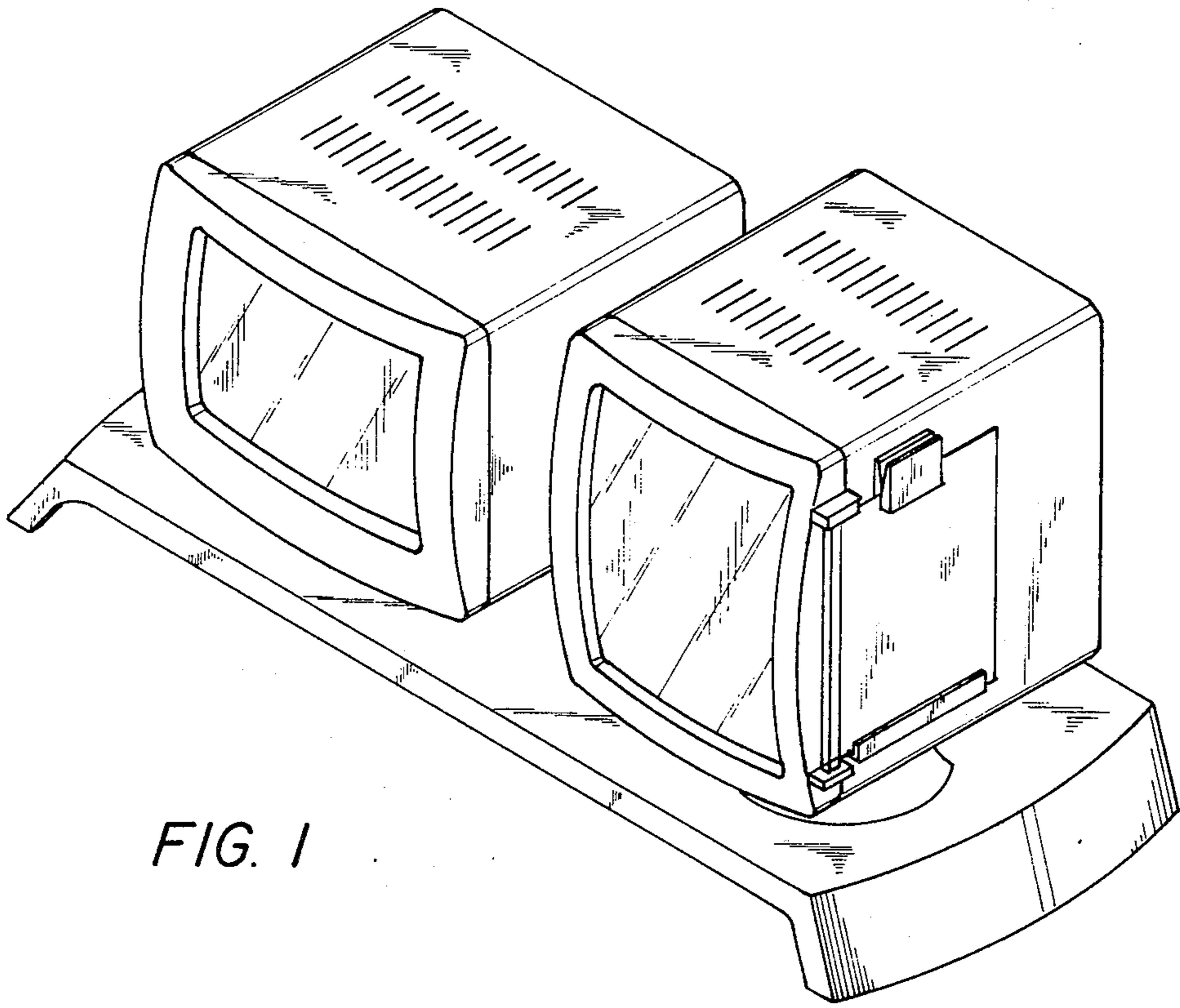


FIG. 1

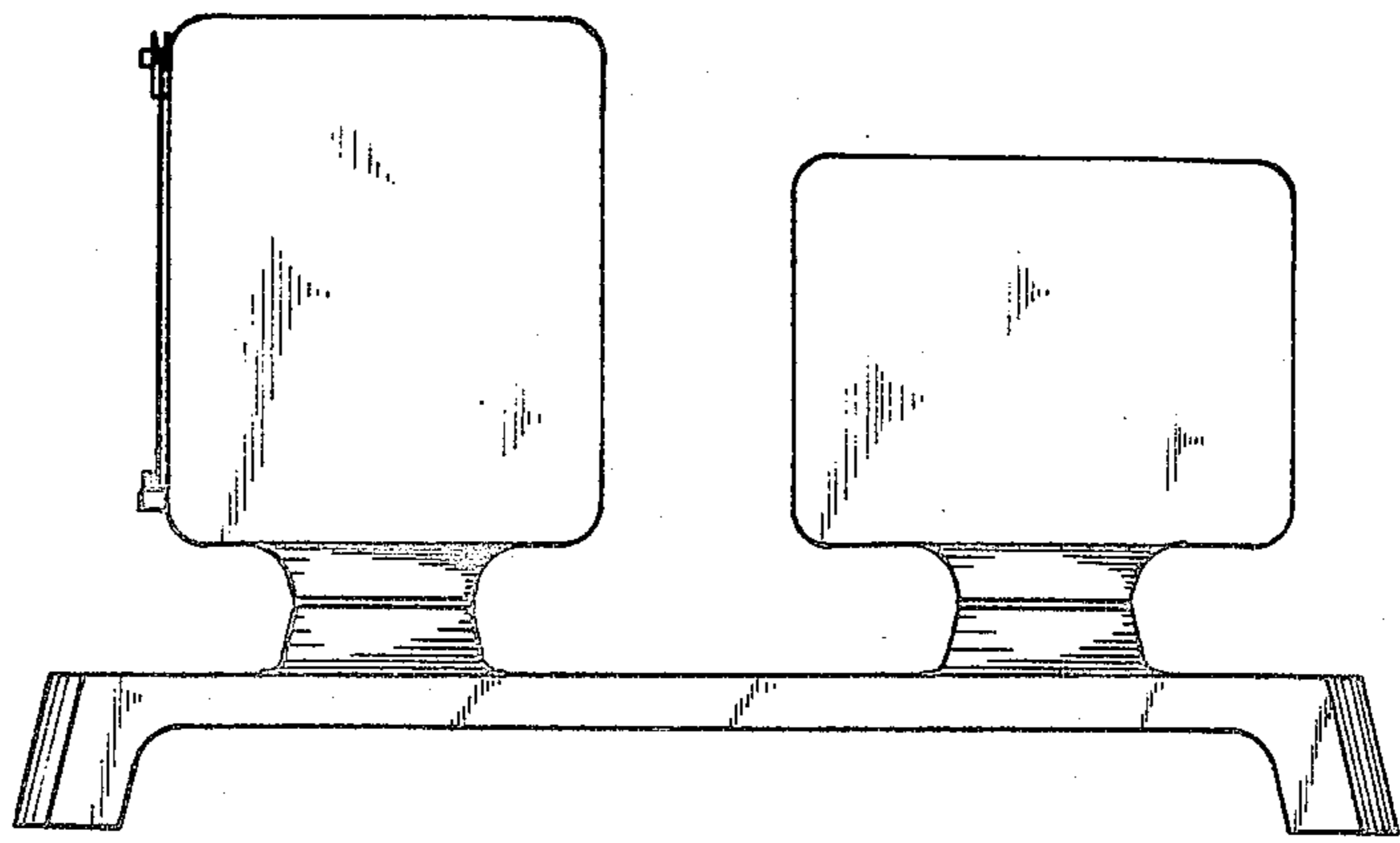


FIG. 2

FIG. 3.

