

[54] **CORDLESS HANDSET AND STAND TELEPHONE UNIT**

[75] **Inventor:** Arthur T. Martinez, Long Beach, Calif.

[73] **Assignee:** Fortel, Inc., Compton, Calif.

[**] **Term:** 14 Years

[21] **Appl. No.:** 624,477

[22] **Filed:** Jun. 25, 1984

[52] **U.S. Cl.** D14/53; D14/64; D14/60; D14/62

[58] **Field of Search** D14/52, 53, 62, 64, D14/60; 179/179, 100 R, 100 D, 100 L, 101, 102, 103

[56] **References Cited**

U.S. PATENT DOCUMENTS

D. 189,877	3/1961	Musing	D14/53
D. 235,069	5/1975	Todeschini	D14/53
D. 256,465	8/1980	Tyler	D14/64
D. 268,411	3/1983	Banko	D14/64
D. 270,157	8/1983	Boldt et al.	D14/63
D. 272,533	2/1984	Coons et al.	D14/53
D. 279,894	7/1985	Marshall	D14/53
D. 279,896	7/1985	Inaka	D14/64
D. 280,504	9/1985	Walker, Jr.	D14/64
D. 282,165	1/1986	Brown	D14/53

D. 282,927 3/1986 Story et al. D14/53

OTHER PUBLICATIONS

B. A. Pargh Co. Inc. 1983 © Catalog; Handset Model FF4000 Walker Handset Model W6TKMBE.

Primary Examiner—Wallace R. Burke

Assistant Examiner—Horace B. Fay

Attorney, Agent, or Firm—Keith D. Beecher

[57] **CLAIM**

The ornamental design for a cordless handset and stand telephone unit, as shown and described.

DESCRIPTION

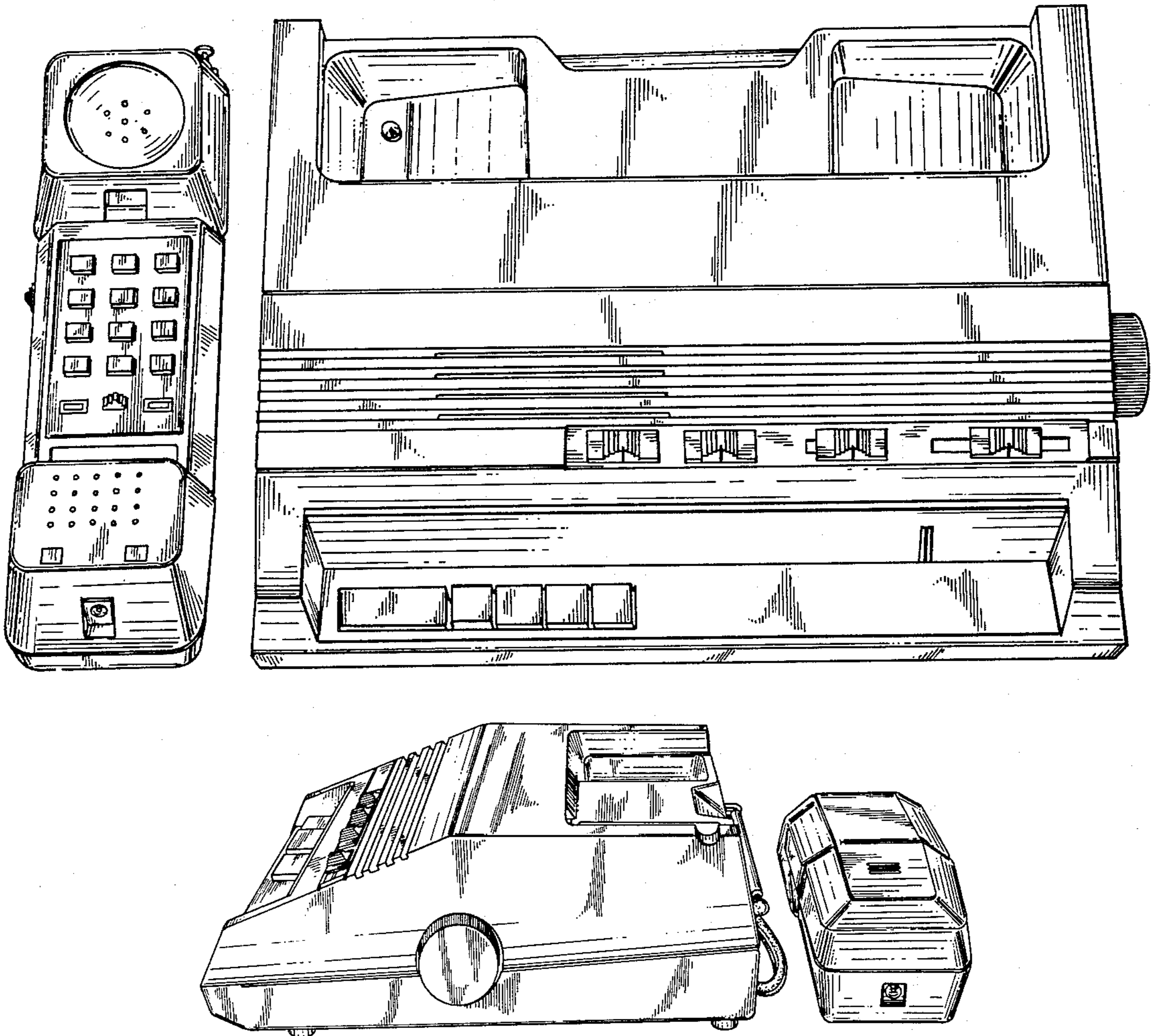
FIG. 1 is a front, top and partial left side perspective view of the handset, and a front and top perspective view of the stand of a cordless handset and stand telephone unit showing my new design;

FIG. 2 is a rear and partial top perspective view of the stand thereof, and a left side and partial top perspective view of the handset cradled in the stand;

FIG. 3 is a right side and top perspective view of the stand thereof, and a front and partial top perspective view of the handset thereof;

FIG. 4 is a rear and partial top perspective view of the handset thereof, and a left side and partial top perspective view of the stand; and

FIG. 5 is a bottom plan view thereof.



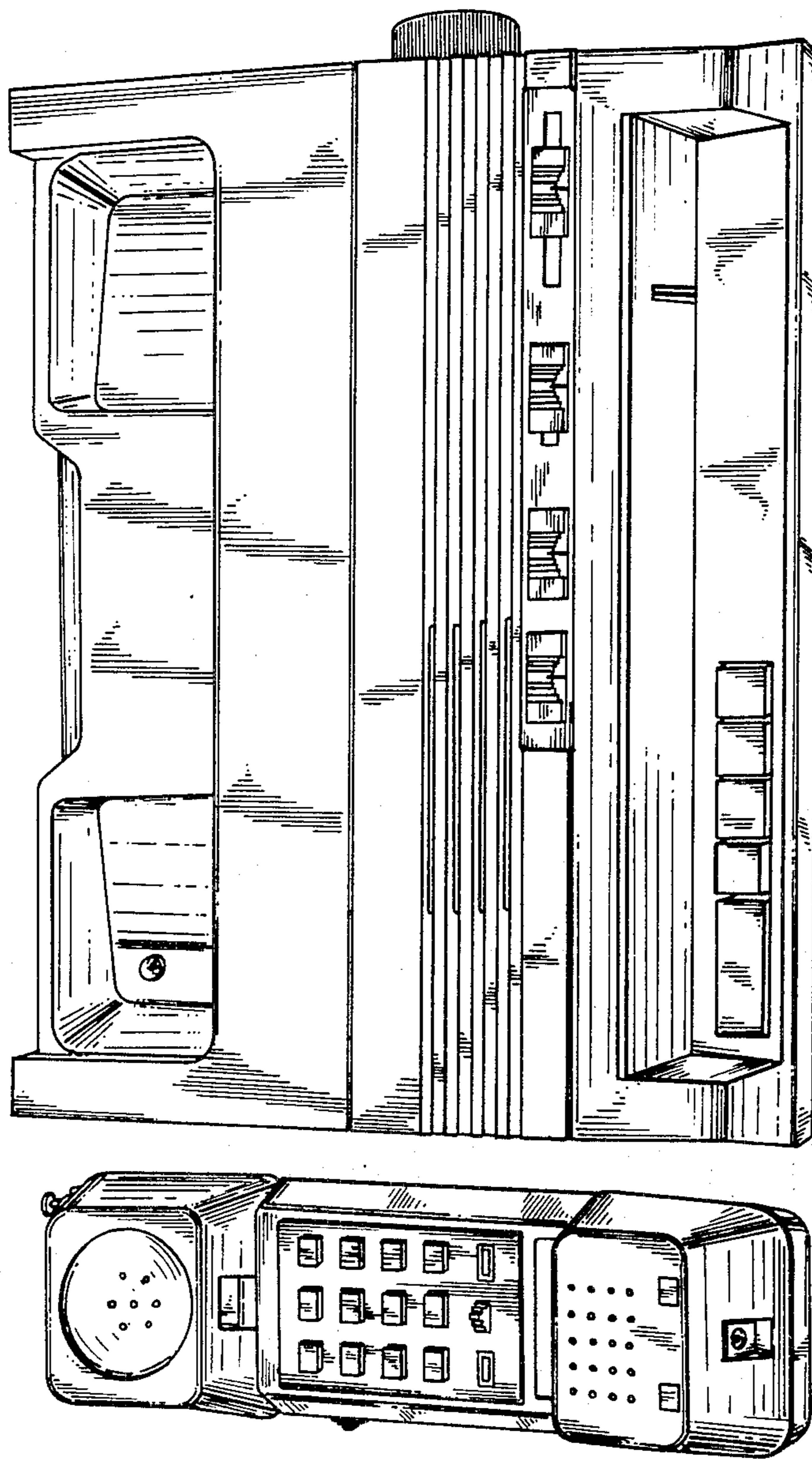
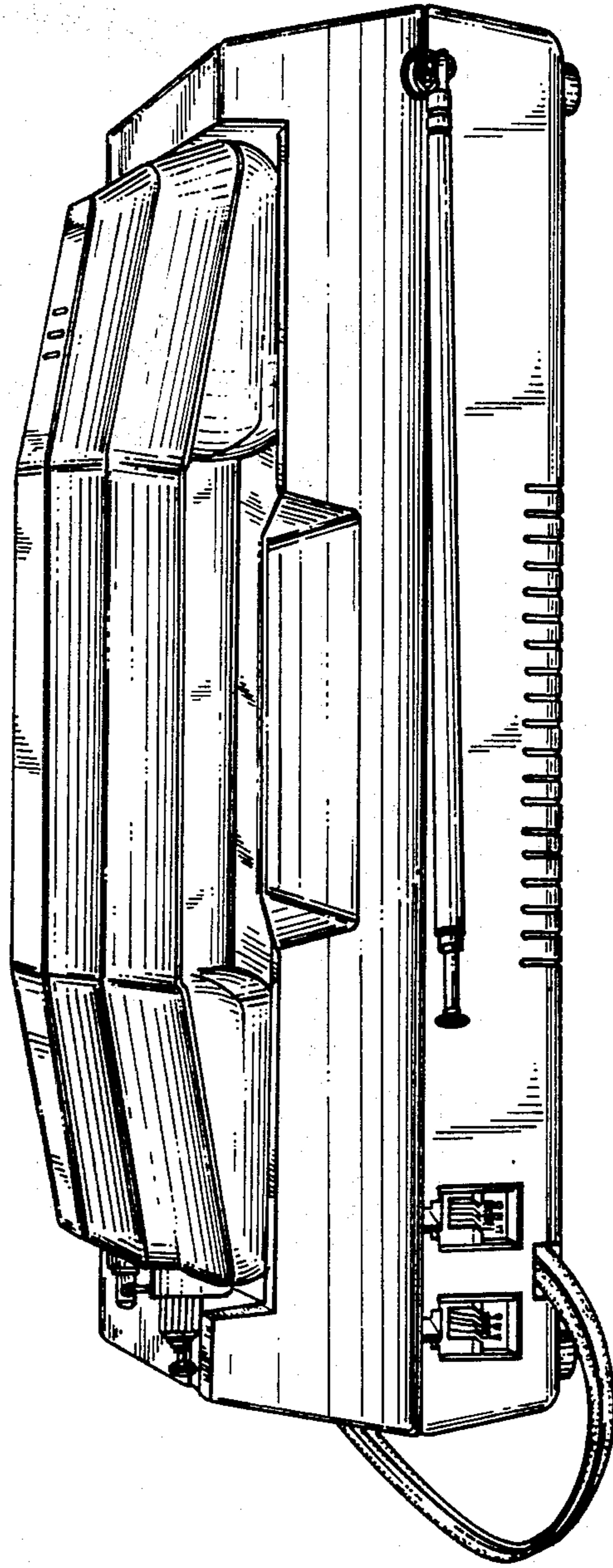
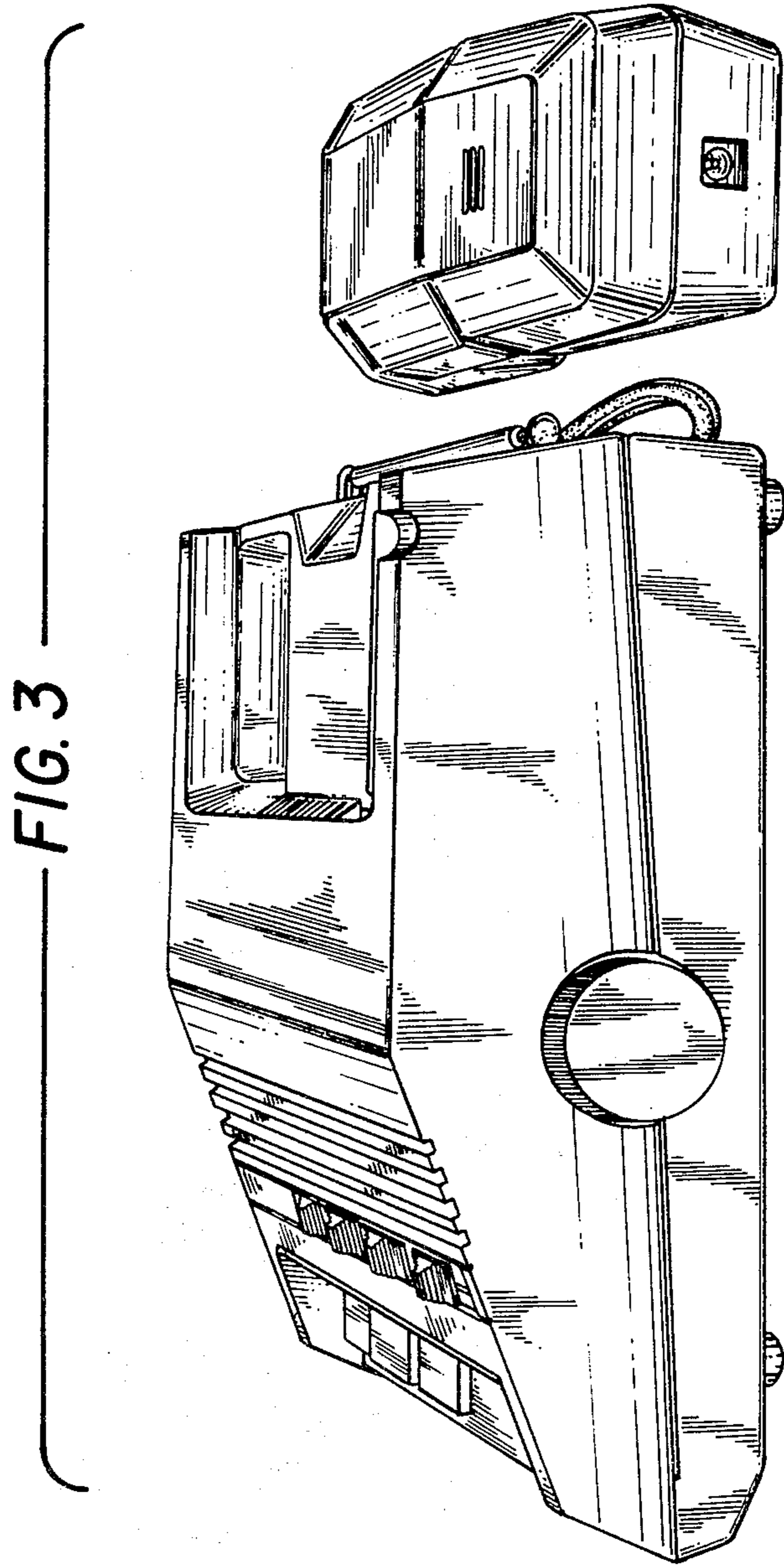


FIG. 1

FIG. 2





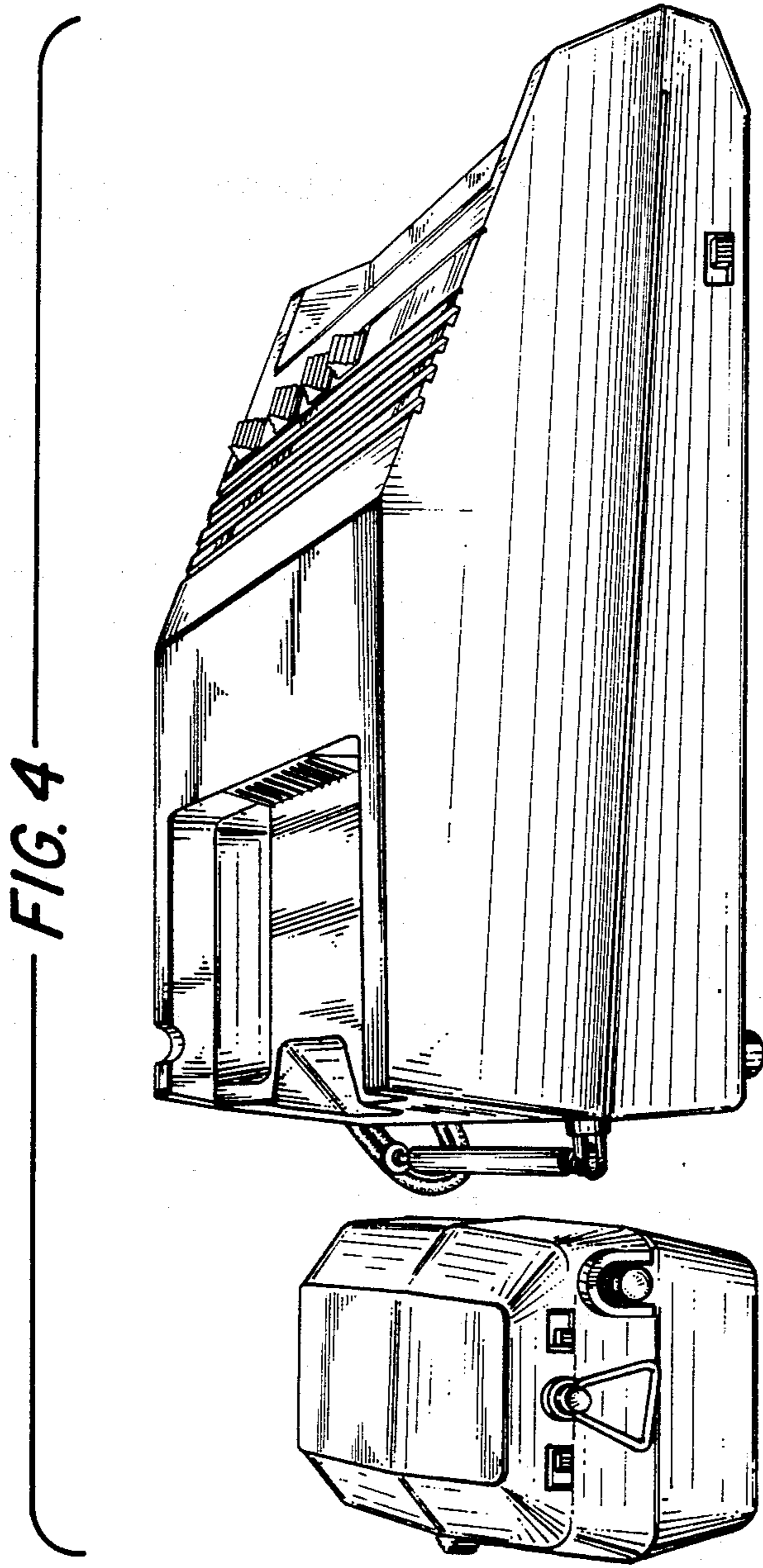


FIG. 5

