

[54] CASSETTE TAPE MAGAZINE

[75] Inventor: Kouji Kisanuki, Iruma, Japan
[73] Assignee: TEAC Corporation, Tokyo, Japan
[**] Term: 14 Years
[21] Appl. No.: 595,741
[22] Filed: Jun. 11, 1984

[30] Foreign Application Priority Data

Jan. 12, 1984 [JP] Japan 59-611
[52] U.S. Cl. D14/11
[58] Field of Search D14/11, 1, 99; 242/199,
242/192, 198; 360/114, 118; 206/387

[56] References Cited

U.S. PATENT DOCUMENTS

D. 245,908 9/1977 Kishi D14/11
D. 262,876 2/1982 Yoshizawa D14/11
D. 262,877 2/1982 Yoshizawa D14/11
D. 275,750 10/1984 Shimizu D14/11
D. 276,910 12/1984 Lohrer et al. D14/11

OTHER PUBLICATIONS

High Fidelity, Feb. 1982, p. 29, BASF Chrome Audio/Video Tapes.

Primary Examiner—Bernard Ansher
Assistant Examiner—Theodore M. Shooman
Attorney, Agent, or Firm—Ladas & Parry

[57] CLAIM

The ornamental design for a cassette tape magazine, as shown and described.

DESCRIPTION

FIG. 1 is a front, bottom and side isometric view of a cassette tape magazine showing my new design; FIG. 2 is a top plan view thereof; FIG. 3 is a front elevational view thereof; FIG. 4 is a rear elevational view thereof; FIG. 5 is a bottom plan view thereof; FIG. 6 is a right end elevational view thereof; FIG. 7 is a left end elevational view thereof; and FIG. 8 is a front, bottom and side isometric view thereof. The broken line showing of reels and tape in FIG. 8 is for illustrative purposes only and forms no part of the claimed design.

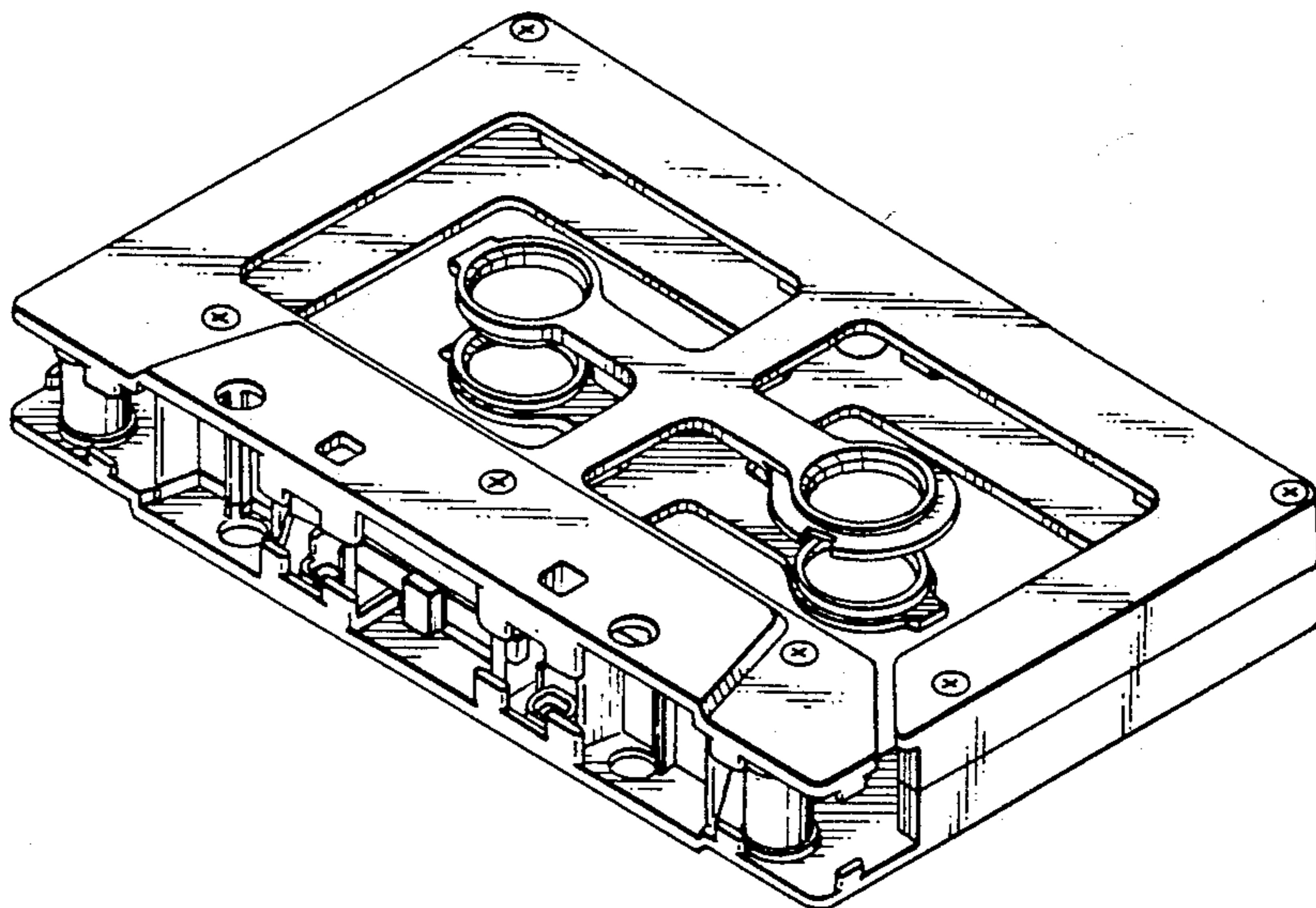


FIG. 1

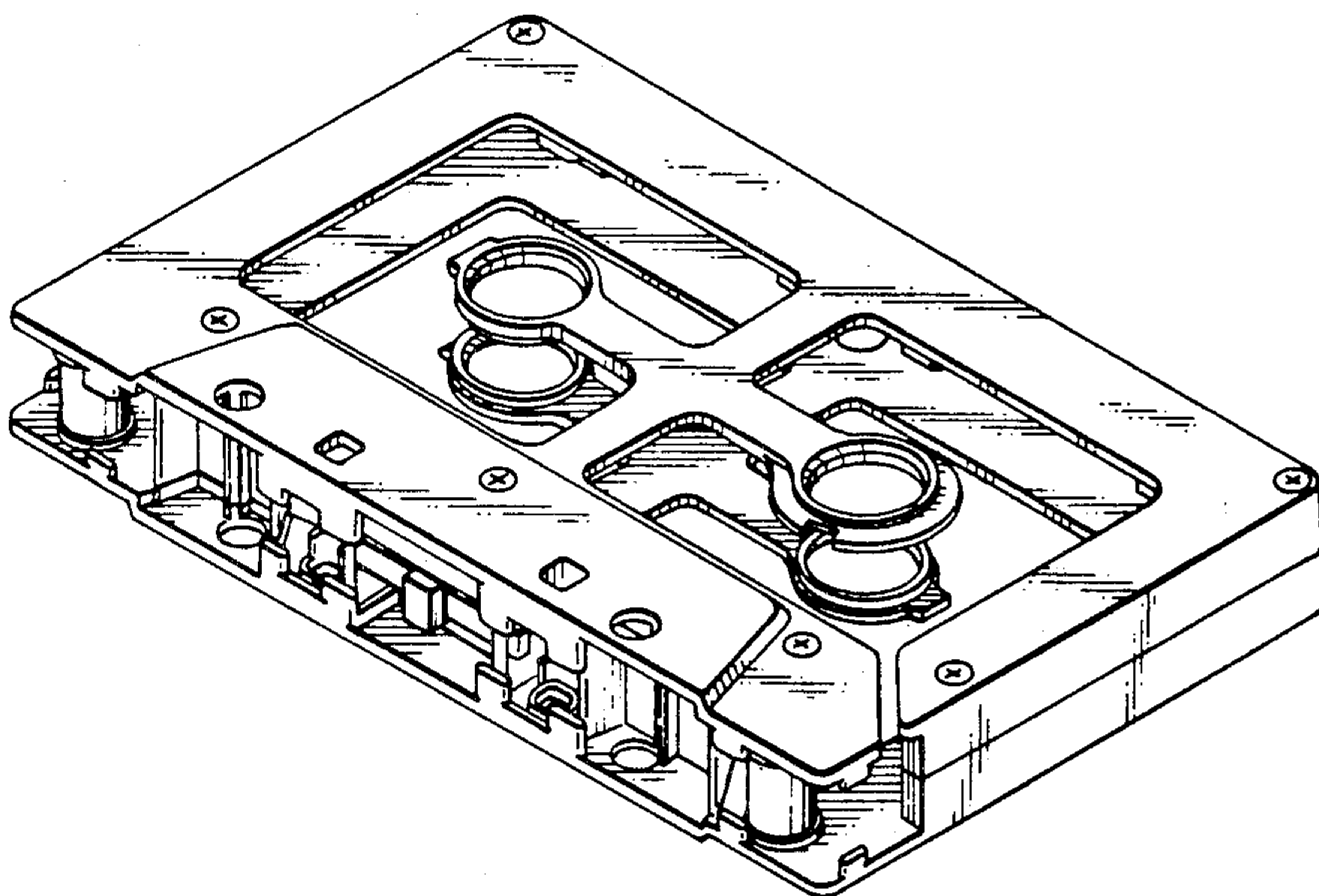


FIG. 8

