

- [54] REAR VIEW MIRROR ASSEMBLY FOR A PICKUP TRUCK, OR SIMILAR ARTICLE
- [76] Inventor: Abbie M. Lusk, 5618 Tilton Ave.-Apt. 61, Riverside, Calif. 92509
- [**] Term: 14 Years
- [21] Appl. No.: 587,206
- [22] Filed: Mar. 7, 1984
- [52] U.S. Cl. D12/187
- [58] Field of Search D12/187; 350/600, 611, 350/616, 626, 627, 639, 631-636; 248/484-487

- [56] **References Cited**
U.S. PATENT DOCUMENTS
 3,424,424 1/1969 Kelley 350/616
 4,253,738 3/1981 Linkous 350/616

4,504,118 3/1985 Harig 350/626

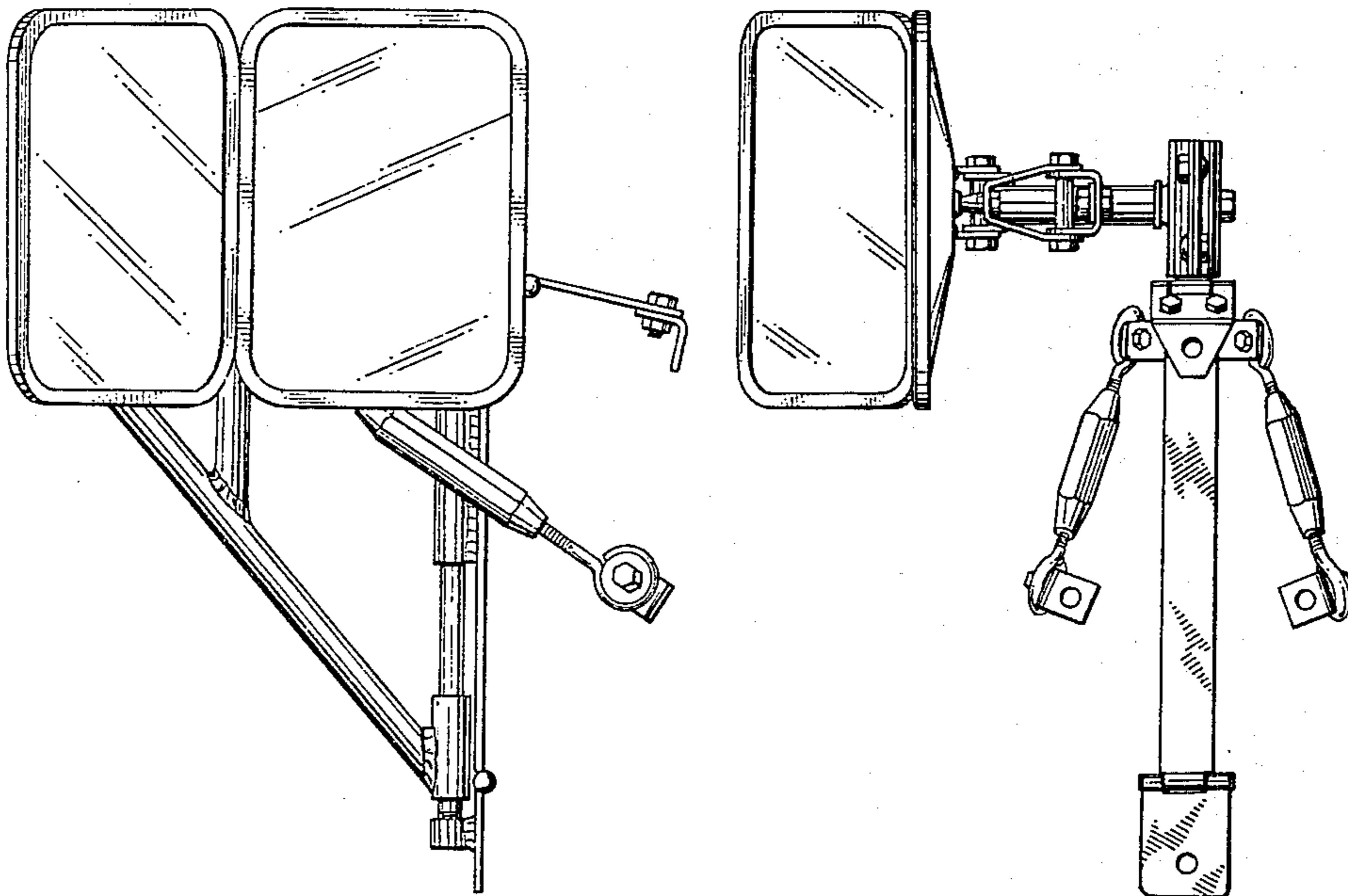
Primary Examiner—James M. Gandy
Attorney, Agent, or Firm—John H. Crowe

[57] **CLAIM**

The ornamental design for a rear view mirror assembly for a pickup truck, or similar article, as shown.

DESCRIPTION

FIG. 1 is a front elevational view of a rear view mirror assembly for a pickup truck, or a similar article, showing my new design;
 FIG. 2 is a right side elevational view of FIG. 1;
 FIG. 3 is a left side elevational view of FIG. 1;
 FIG. 4 is a rear elevational view thereof;
 FIG. 5 is a top plan view of FIG. 4;
 FIG. 6 is a bottom plan view of FIG. 1.



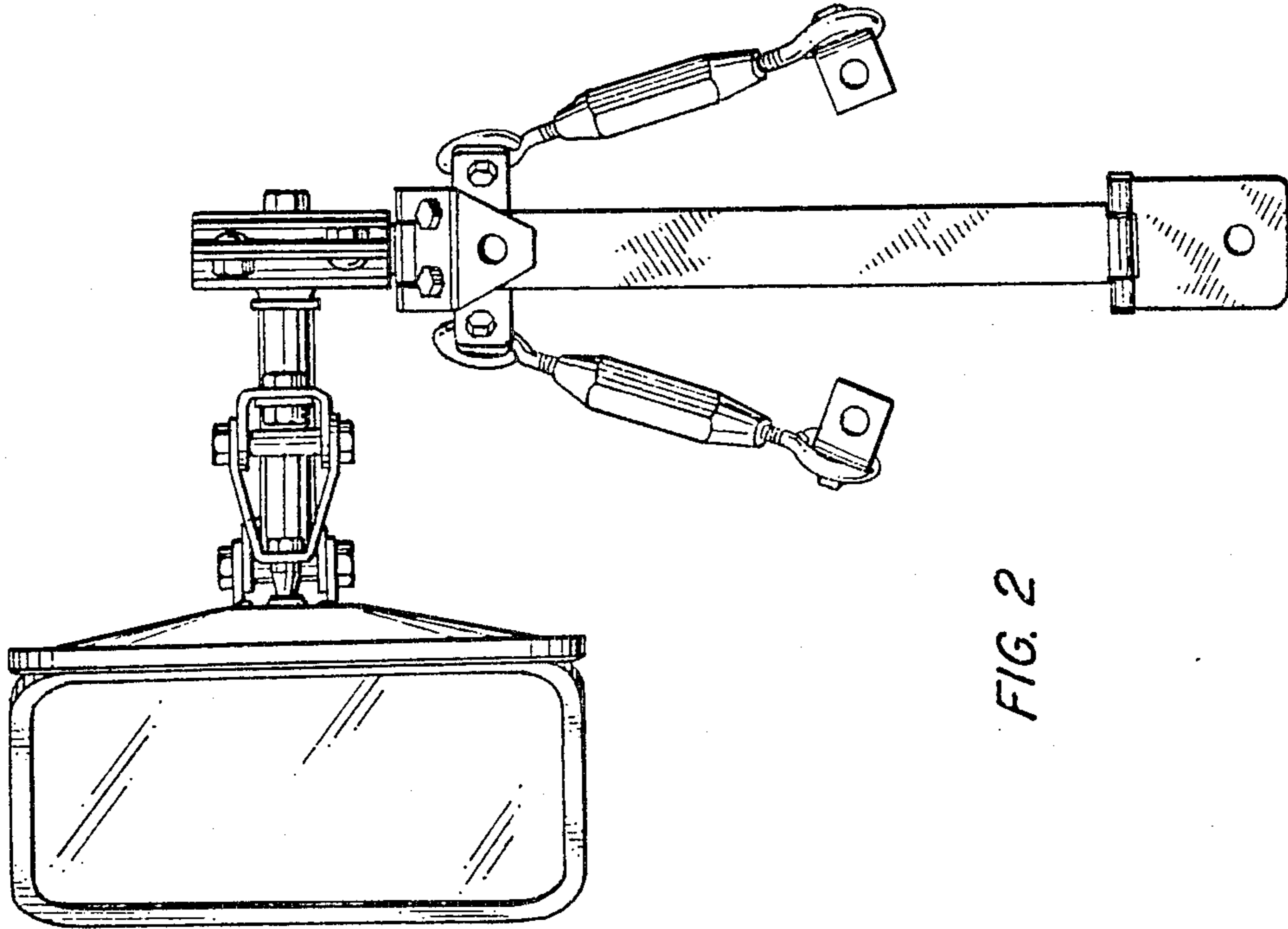


FIG. 2

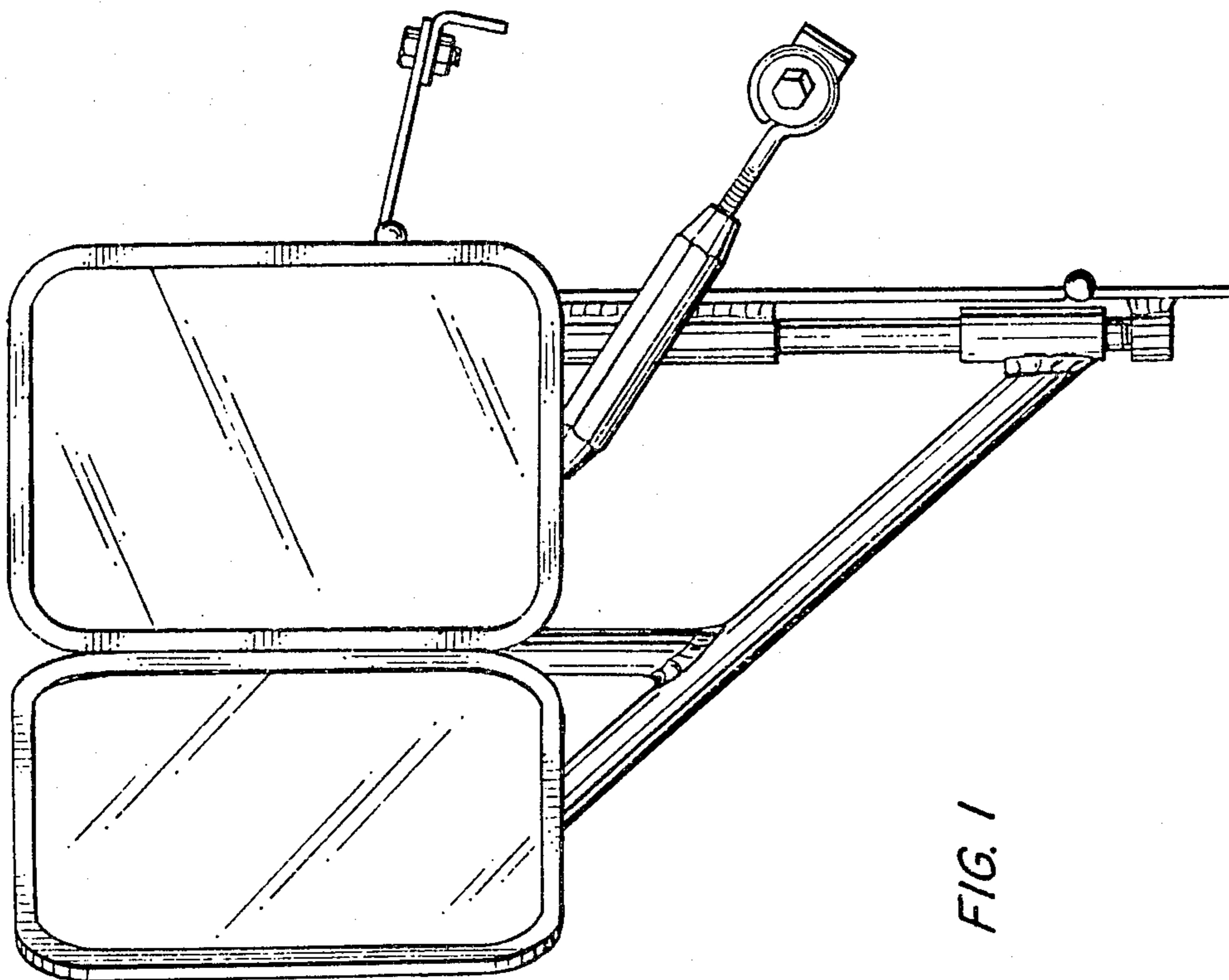


FIG. 1

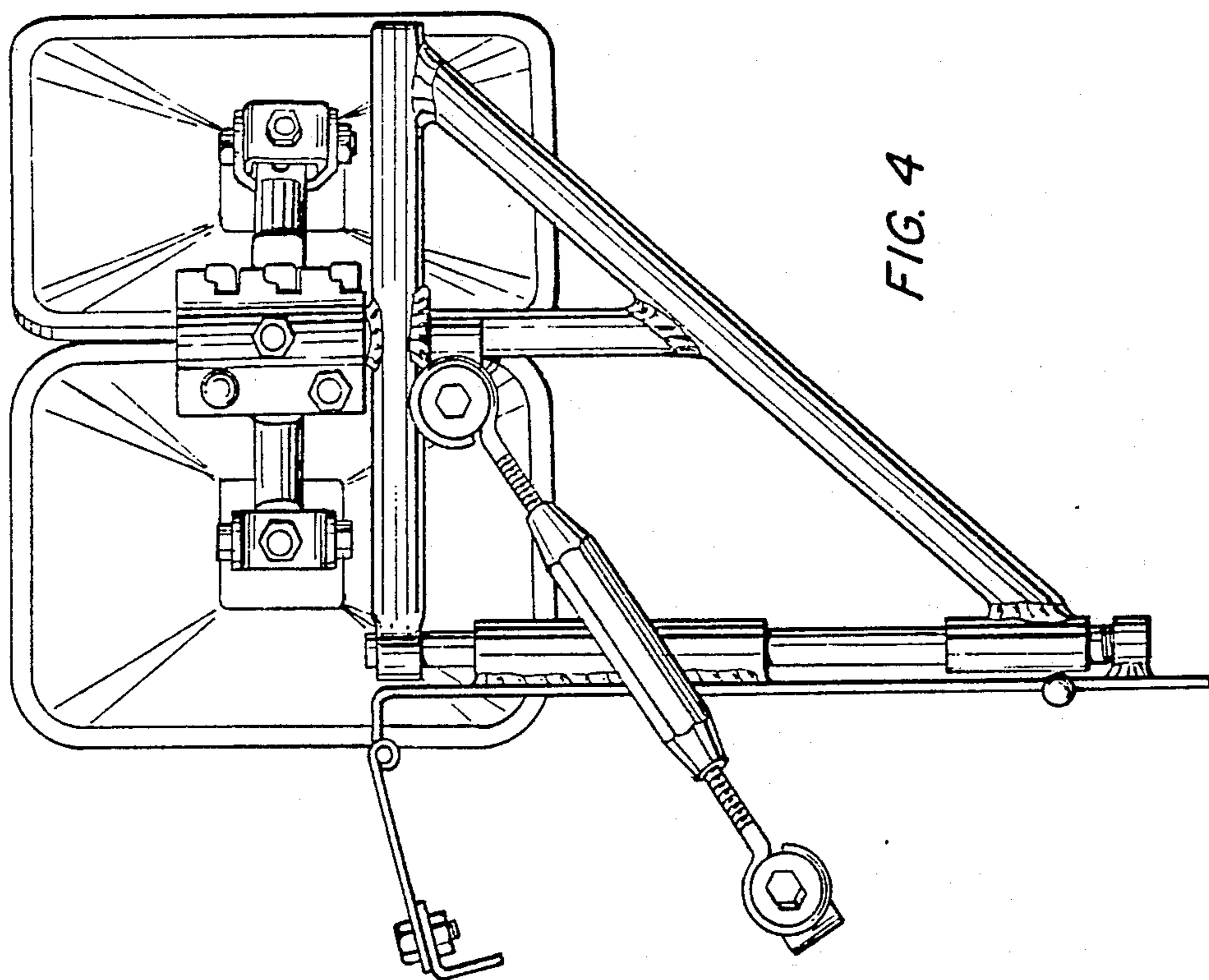


FIG. 4

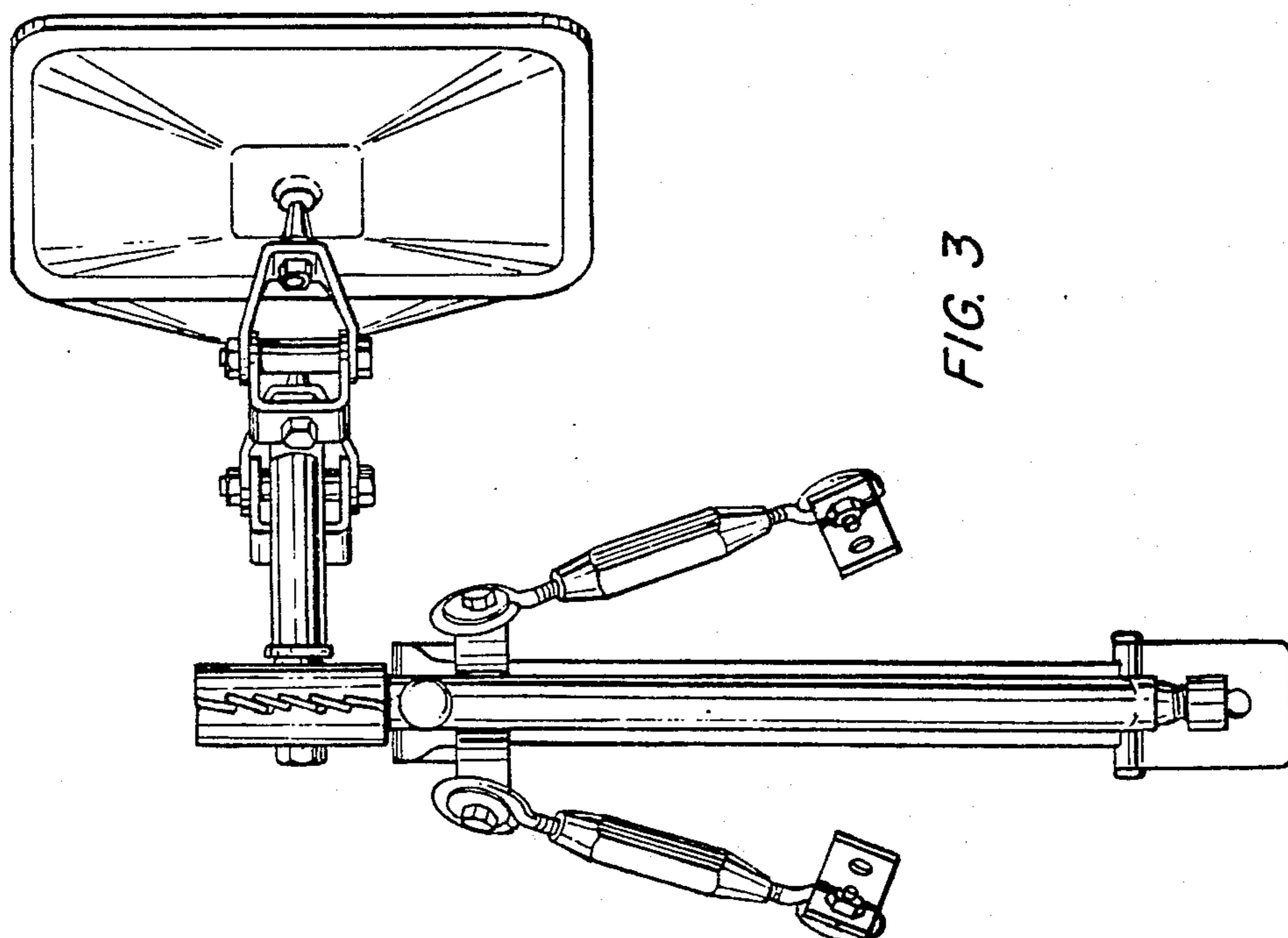


FIG. 3

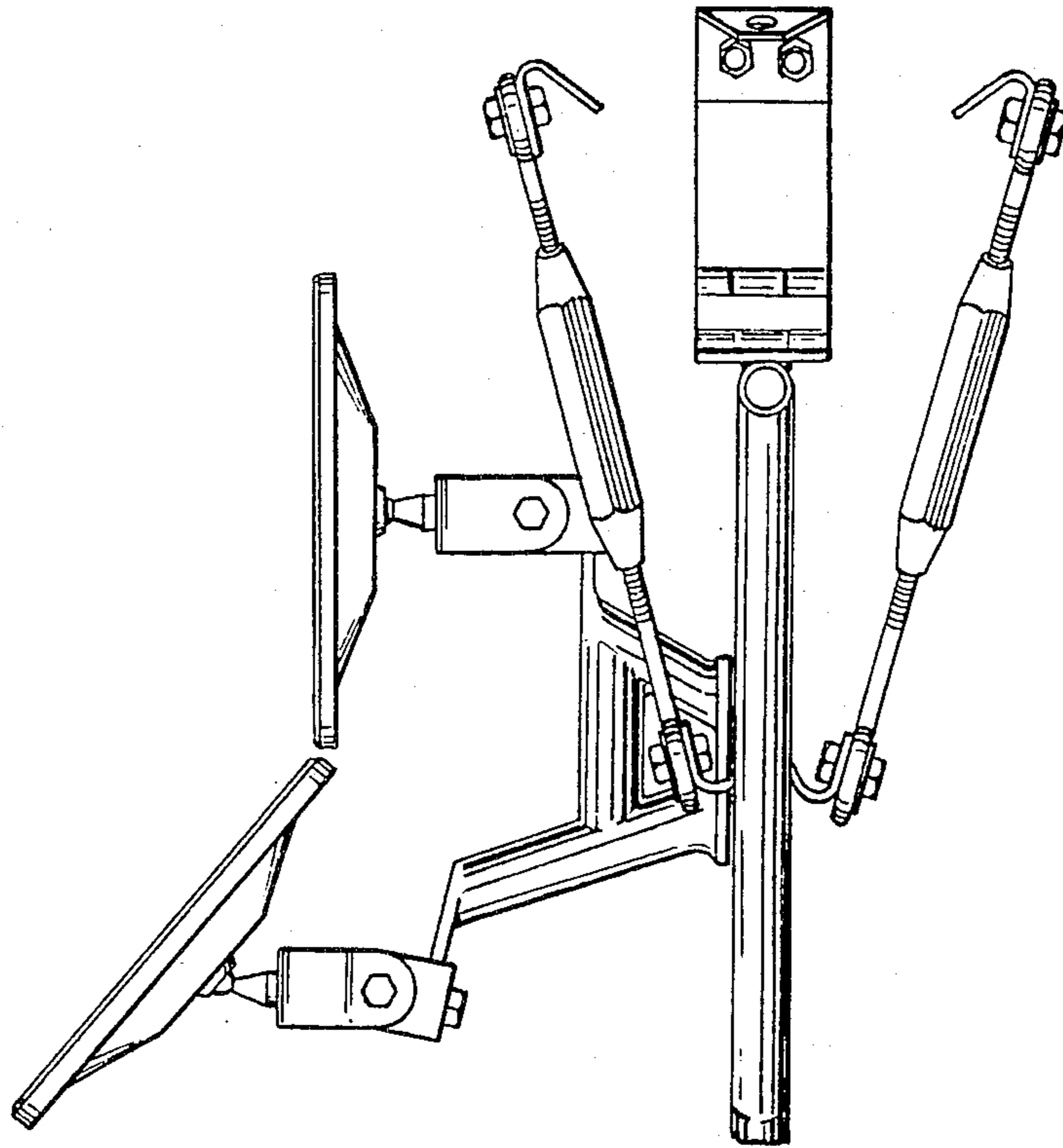


FIG. 6

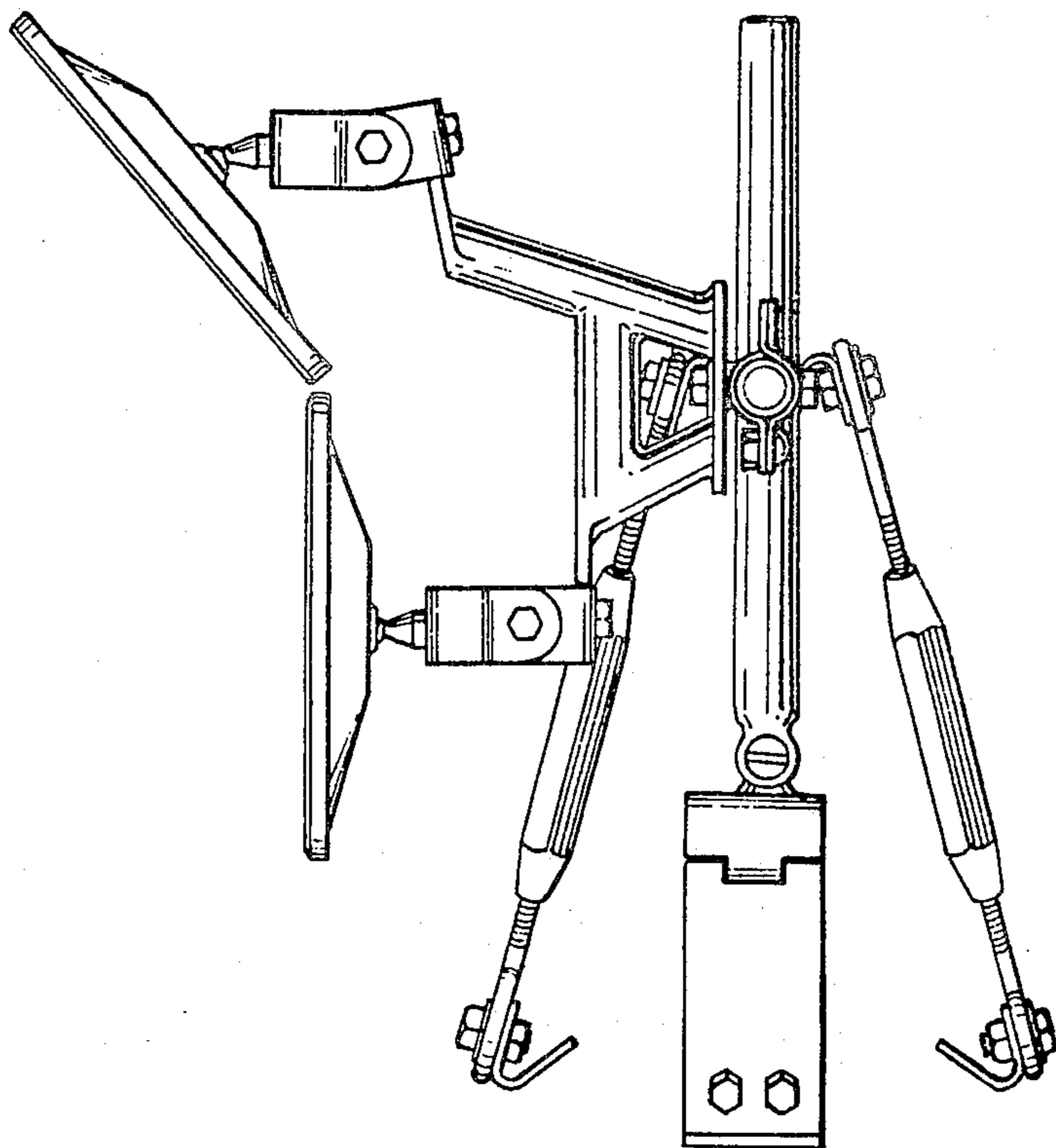


FIG. 5