

[54] INVALID CHAIR

[76] Inventor: Elizabeth A. Britz, 2303 First St., New Port Richey, Fla. 33552

[**] Term: 14 Years

[21] Appl. No.: 682,025

[22] Filed: Dec. 14, 1984

[52] U.S. Cl. D12/128; D6/379

[58] Field of Search D12/128, 131, 132; 280/242 WC; 297/DIG. 4; 180/907; D6/379, 381, 358

[56] References Cited

U.S. PATENT DOCUMENTS

3,147,039	9/1964	Smith et al.	297/DIG. 4
3,261,031	7/1966	Gates	297/DIG. 4
3,787,903	1/1974	Miller	297/DIG. 4
4,065,180	12/1977	Karay	297/DIG. 4
4,164,354	8/1979	Rodaway	280/42

OTHER PUBLICATIONS

Landes, p. 24, The Malibu Collection, No. 862 Dining Chair.

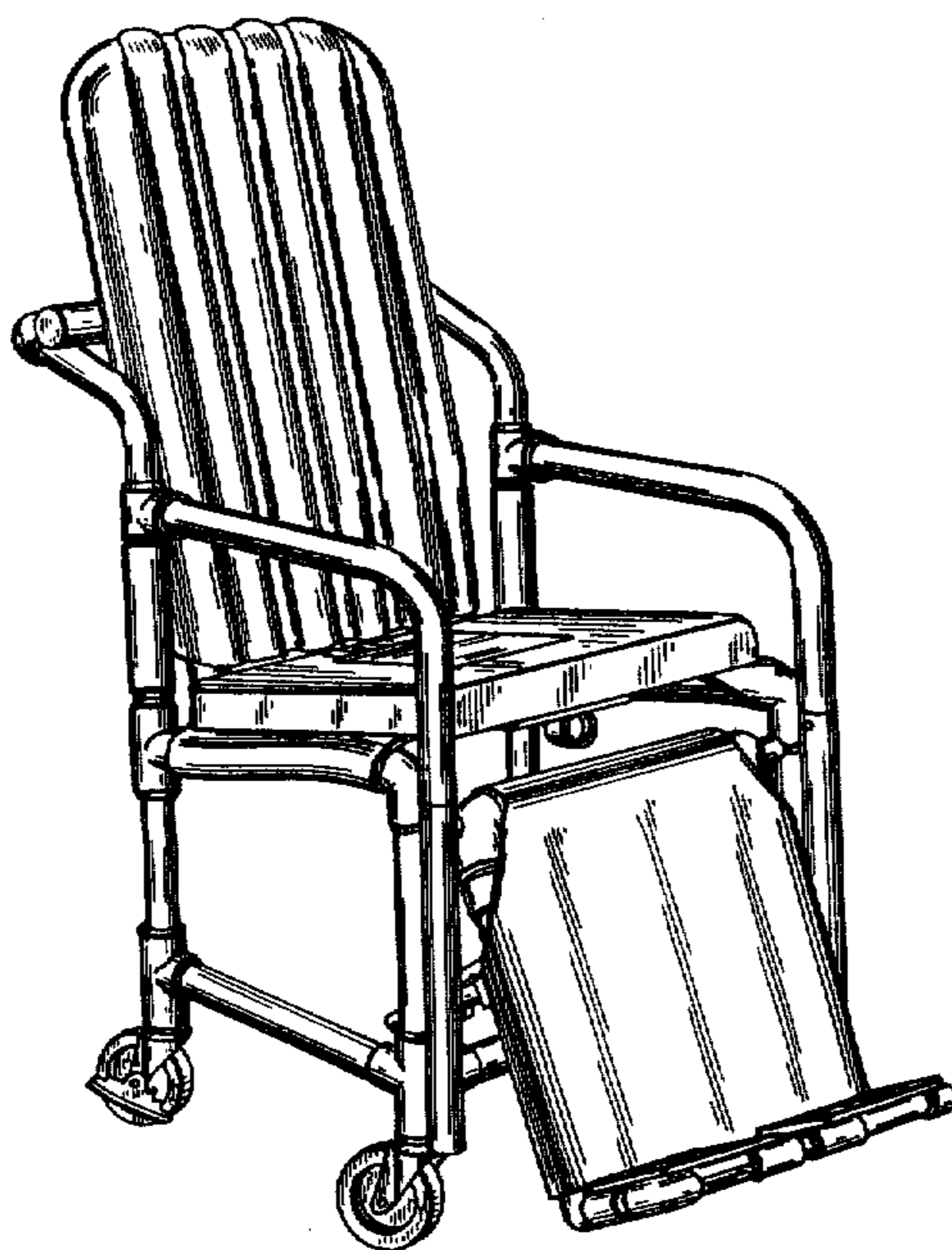
Primary Examiner—James M. Gandy
Assistant Examiner—Kay H. Chin
Attorney, Agent, or Firm—Herbert W. Larson; Joseph C. Mason, Jr.

[57] CLAIM

The ornamental design for an invalid chair, as shown and described.

DESCRIPTION

FIG. 1 is a right, front perspective view of an invalid chair showing my new design;
FIG. 2 is a left, front perspective view thereof, with a detachable tray shown in the storage position mounted on one arm of the chair;
FIG. 3 is a left, front perspective view thereof, with a detachable tray shown in place when in use;
FIG. 4 is a top plan view thereof;
FIG. 5 is a rear elevation view thereof;
FIG. 6 is a sectional view thereof, taken along line 6—6 of FIG. 4;
FIG. 7 is a fragmentary sectional view of FIG. 6 showing the trap door in open condition;
FIG. 8 is a right, front perspective view thereof, with the cushions, padding and tray removed;
FIG. 9 is a top plan view of FIG. 8.



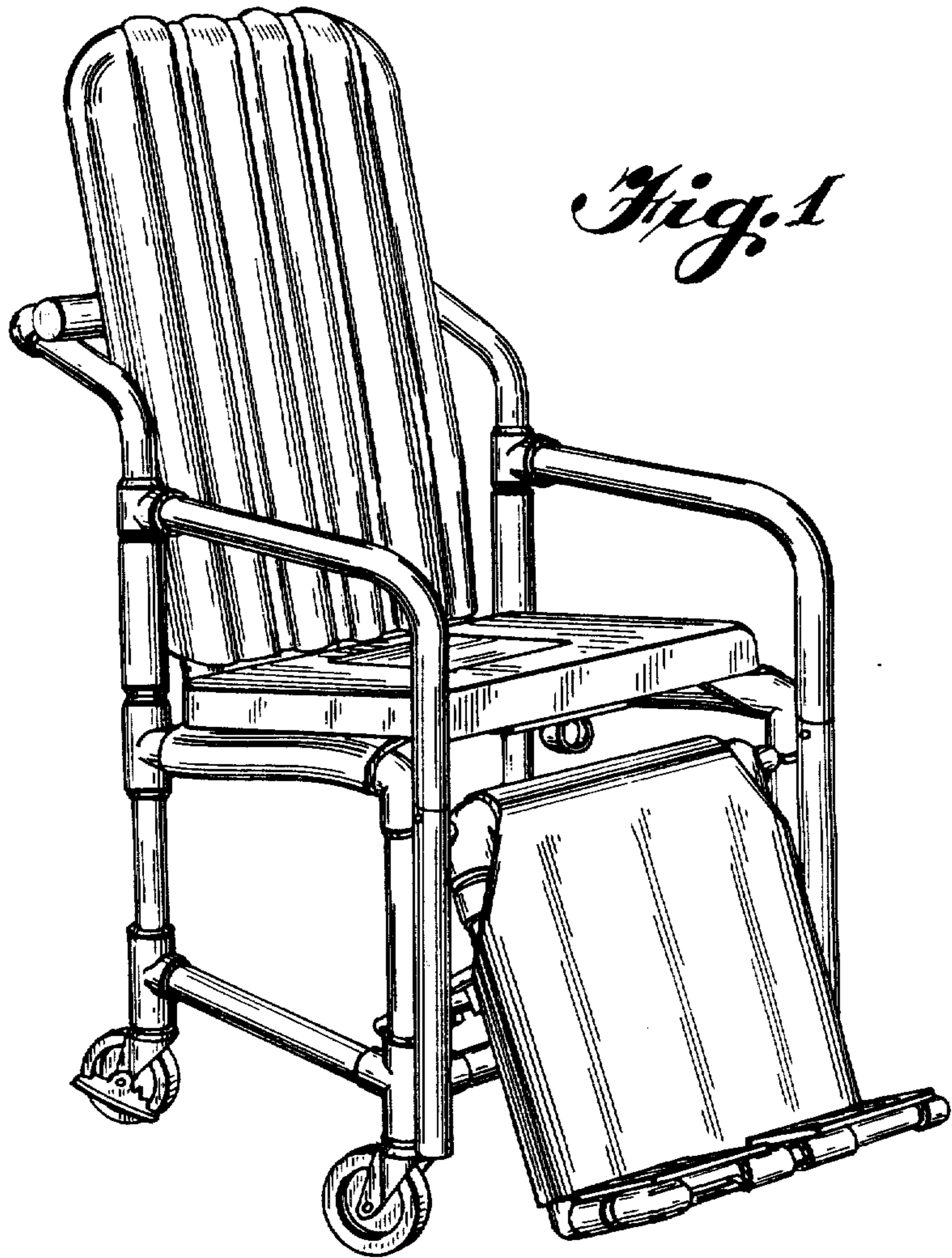


Fig. 1

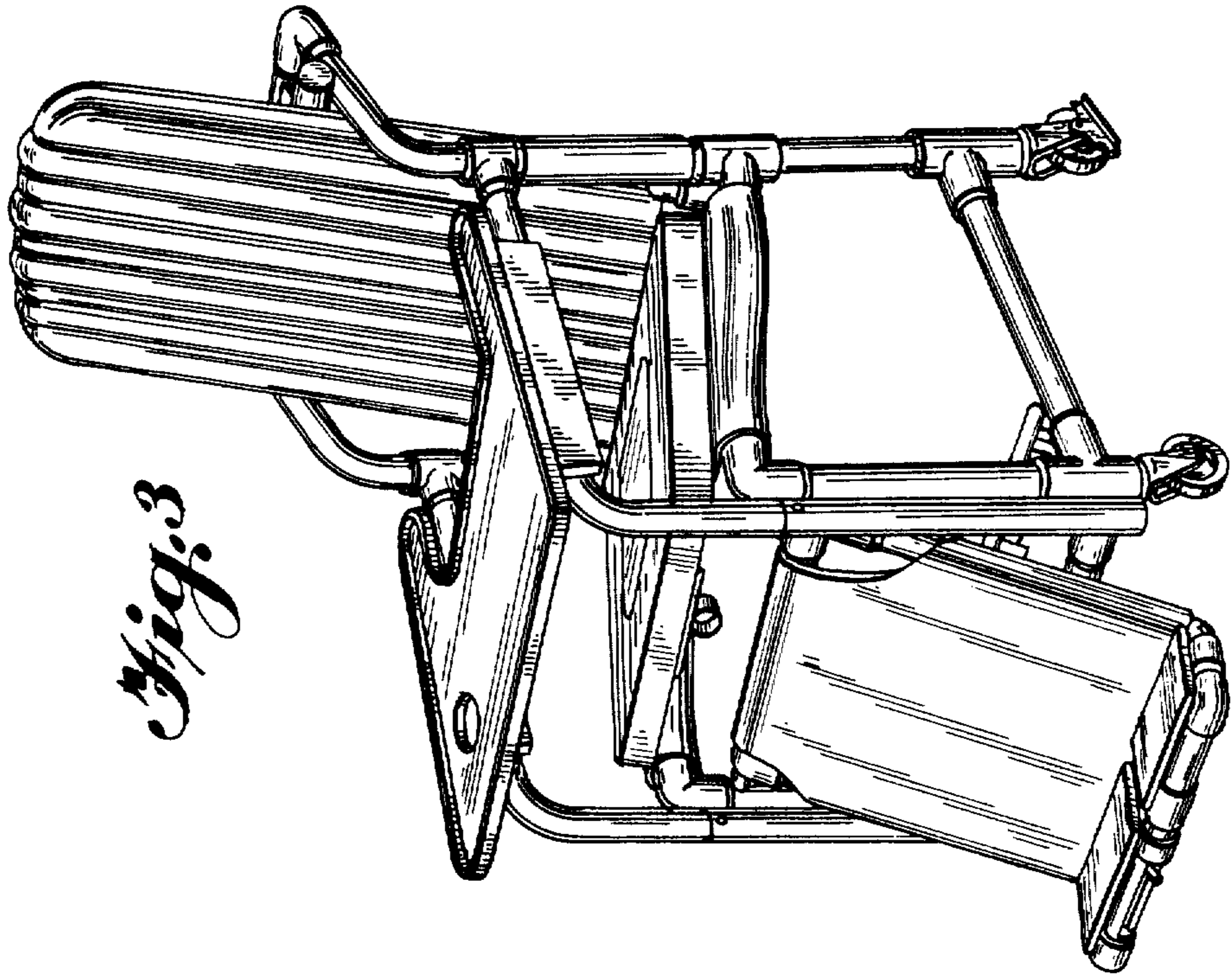


Fig. 3

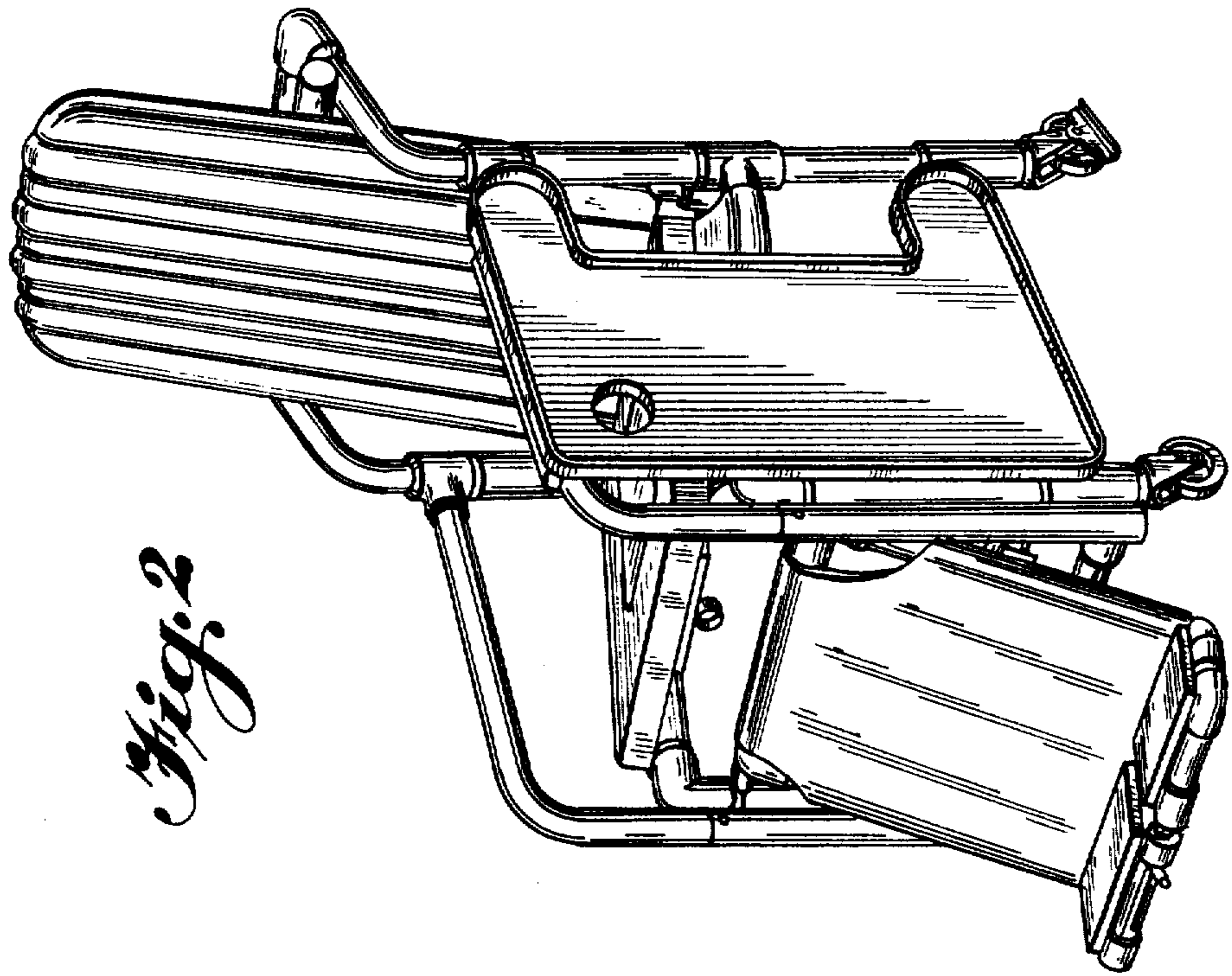


Fig. 2

Fig. 4

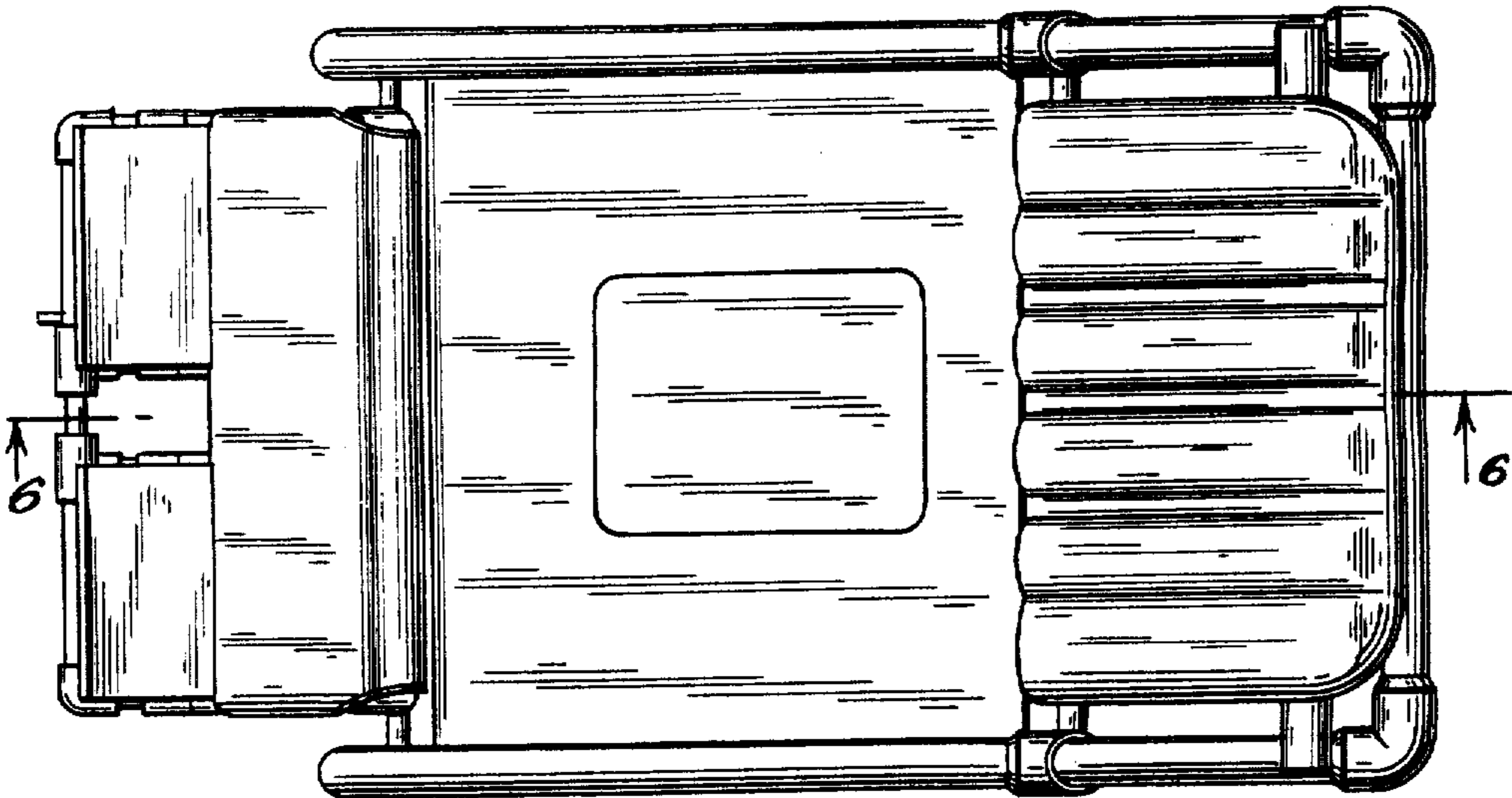


Fig. 9

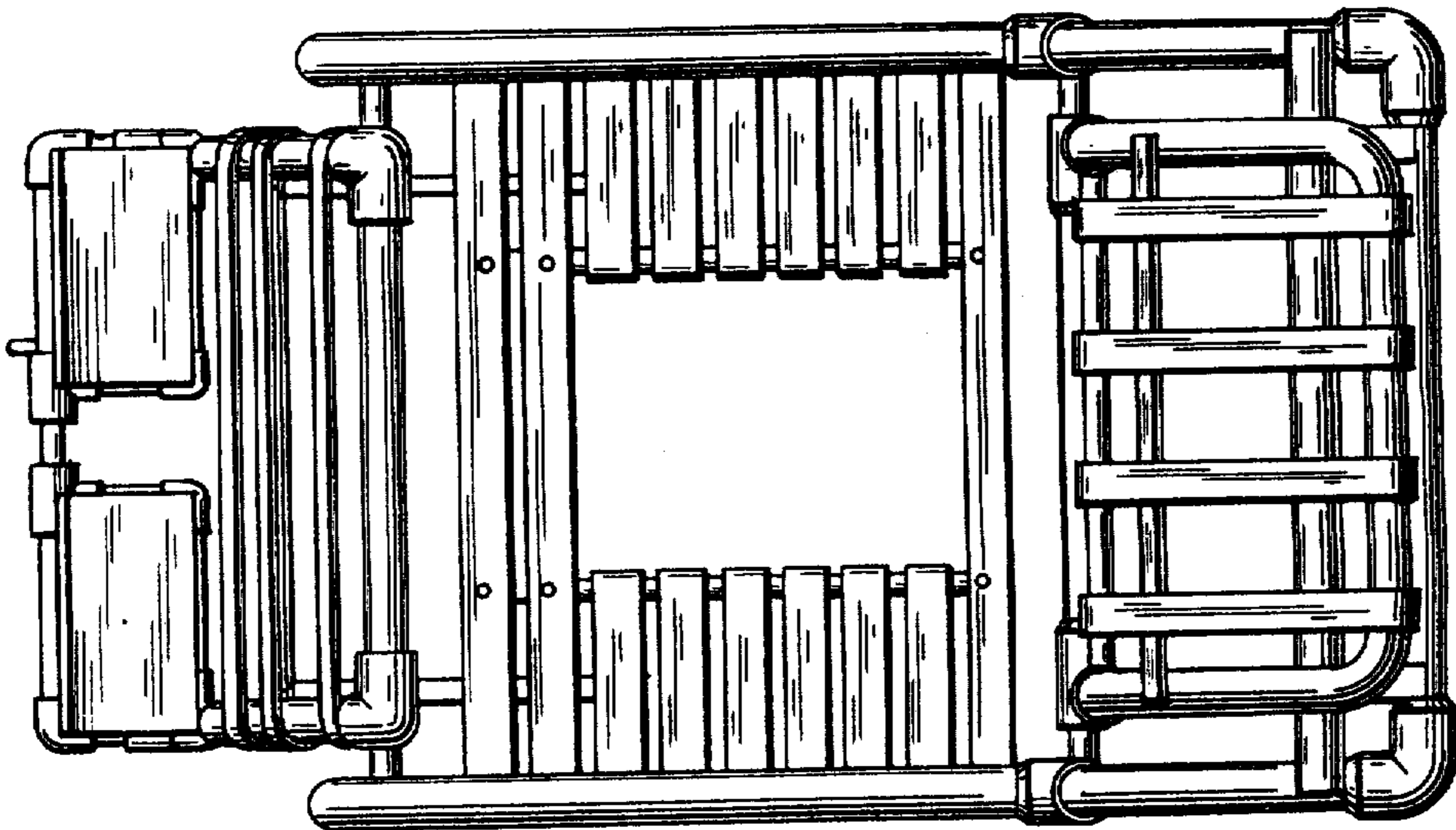


Fig. 5

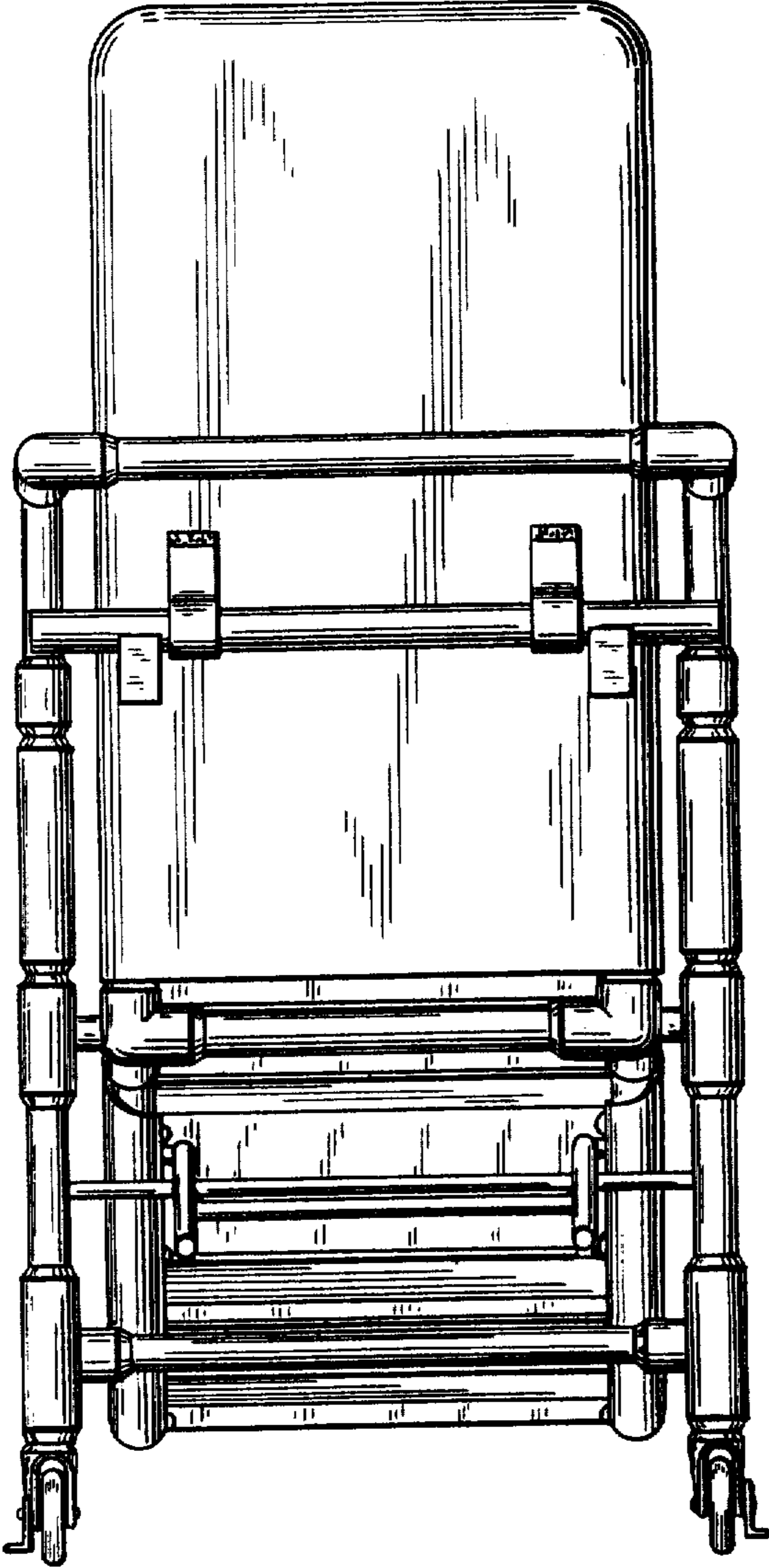


Fig. 7

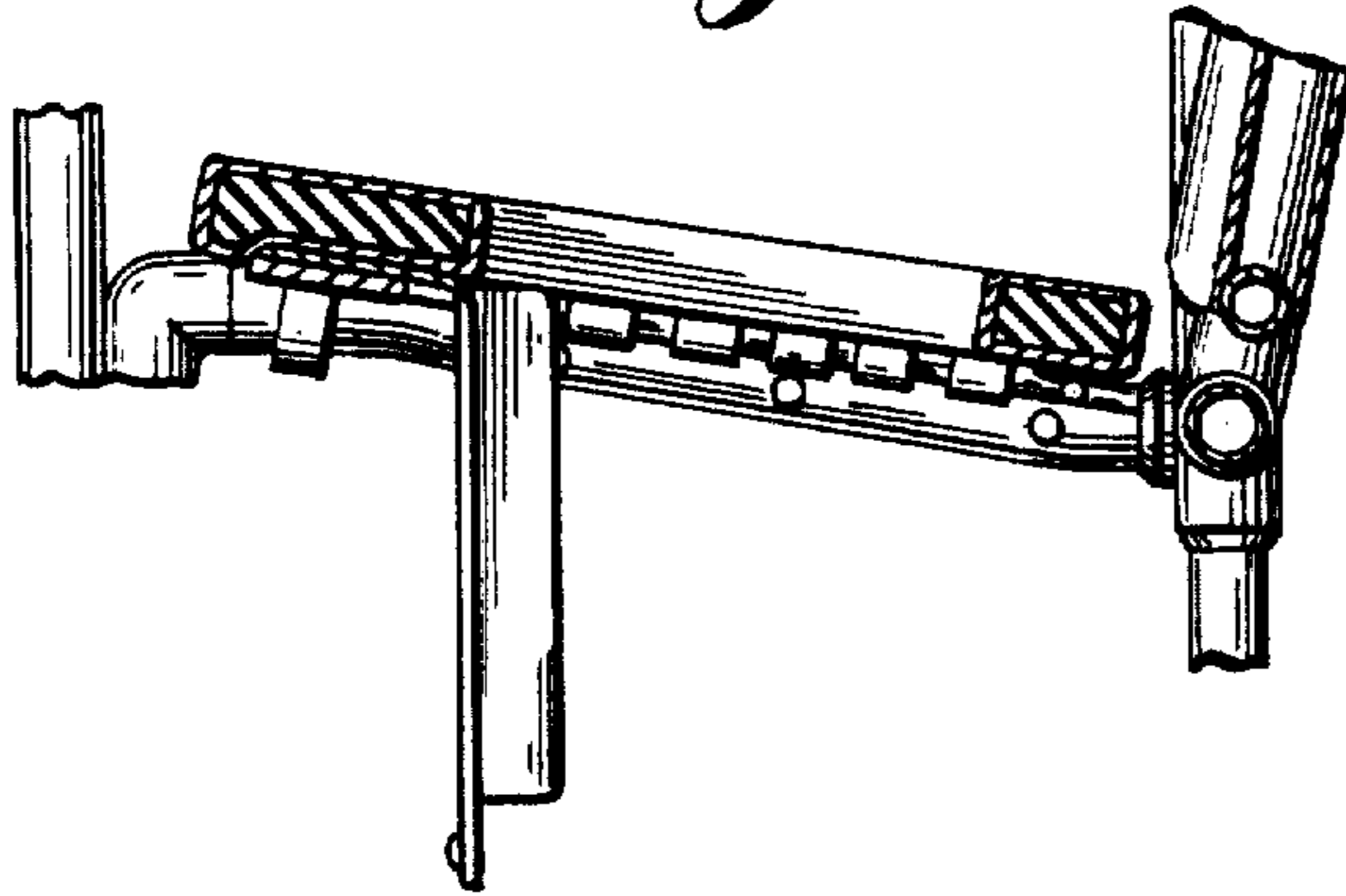


Fig. 6

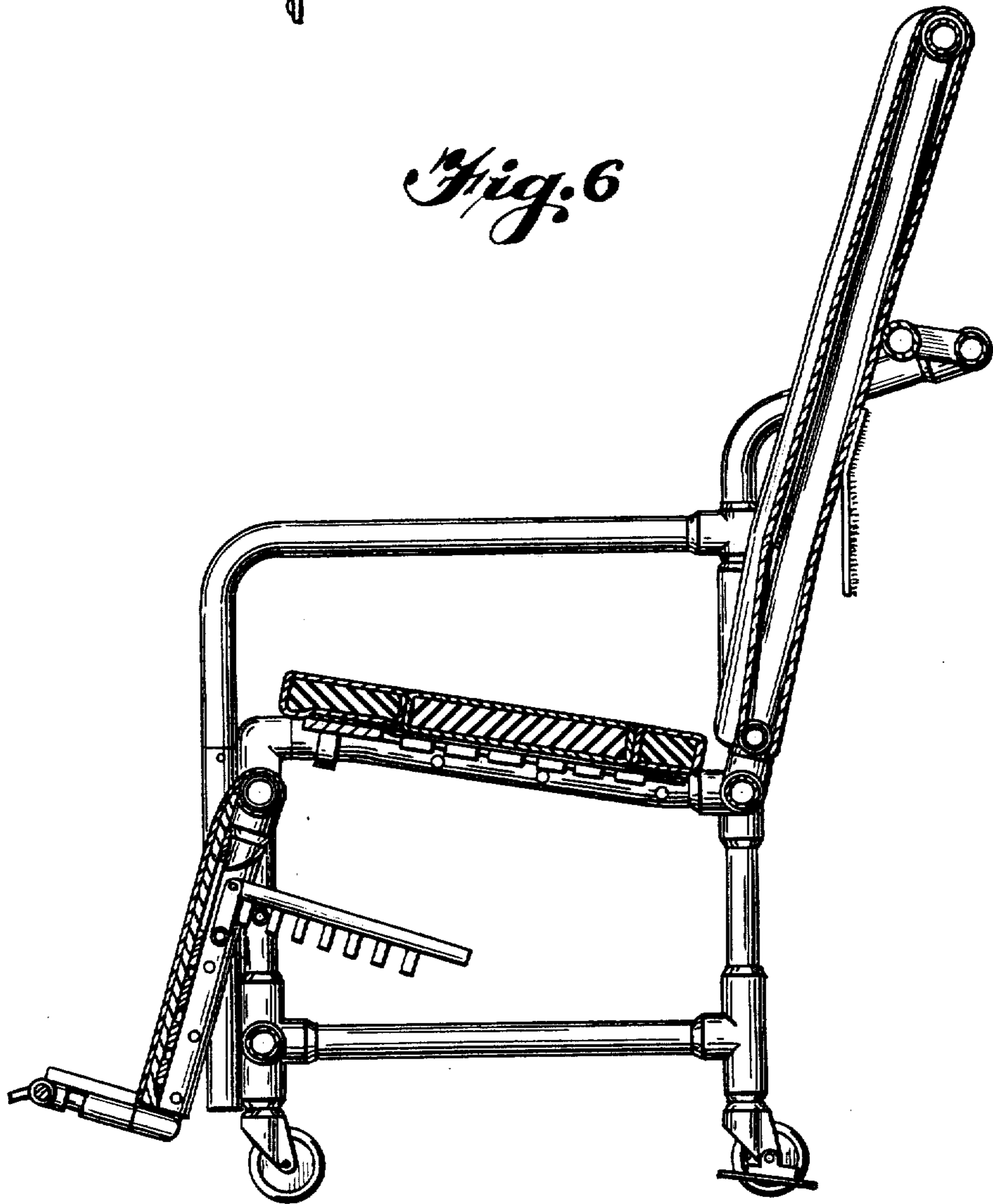


Fig. 8

