

[54] COMBINED CAP AND END PLUG
STRUCTURE FOR EXTRUSION TUBES AND
THE LIKE

3,073,472 1/1963 Williams D9/454 X
3,207,375 9/1965 Bereziat et al. D9/447 X
3,233,798 2/1966 Abbott D9/447 X
3,374,527 3/1968 Jarrett 215/31 X

[75] Inventor: Bernard Schneider, Sainte
Ménéhould, France

Primary Examiner—Bernard Ansher
Assistant Examiner—Linda Titolo
Attorney, Agent, or Firm—Mason, Fenwick & Lawrence

[73] Assignee: Tuboplast s.a., Paris, France

[**] Term: 14 Years

[57] CLAIM

[21] Appl. No.: 568,242

The ornamental design for combined cap and end plug
structure for extrusion tubes and the like, as shown and
described.

[22] Filed: Jan. 3, 1984

[52] U.S. Cl. D9/435

DESCRIPTION

[58] Field of Search D9/435, 442, 434, 452,
D9/453, 454, 447; 215/31, 356, 273; 220/355

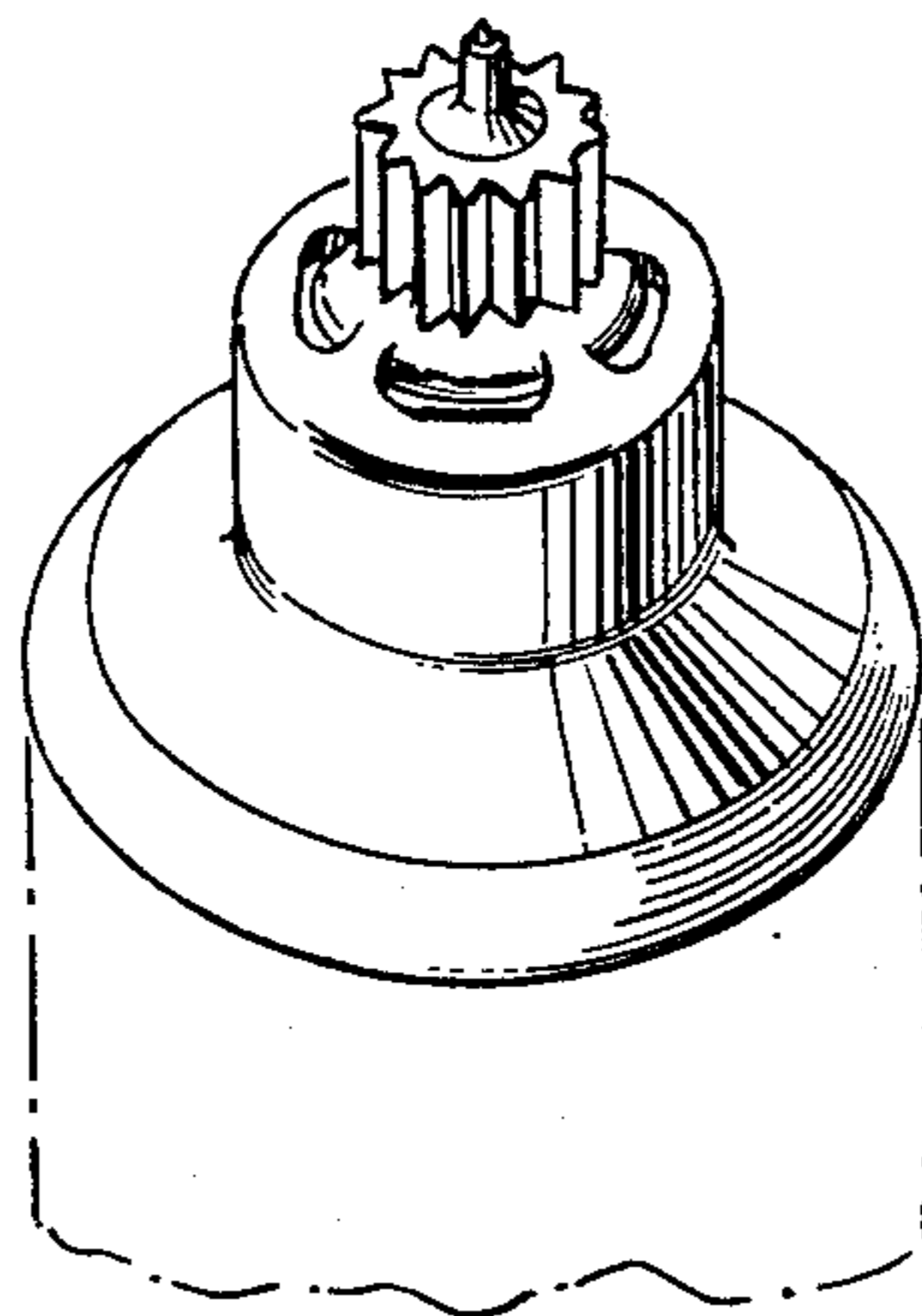
FIG. 1 is a top front perspective view of a combined
cap end plug structure for extrusion tubes and the like,
showing my new design, the top rear perspective view
being a mirror image thereof; the fragmentary broken
lines indicating an extrusion tube are shown for illustra-
tive purposes only;

[56] References Cited

U.S. PATENT DOCUMENTS

D. 142,376 9/1945 Derham D9/453
D. 204,103 3/1966 Lydon D9/447
D. 226,555 3/1973 Weber D9/447 X
658,752 10/1900 Biesel 215/273
2,731,053 1/1956 Lockhart 220/355 X

FIG. 2 is a top plan view thereof; and
FIG. 3 is a side elevational view thereof, the opposite
side being a mirror image thereof.
The bottom plan view is conventional.



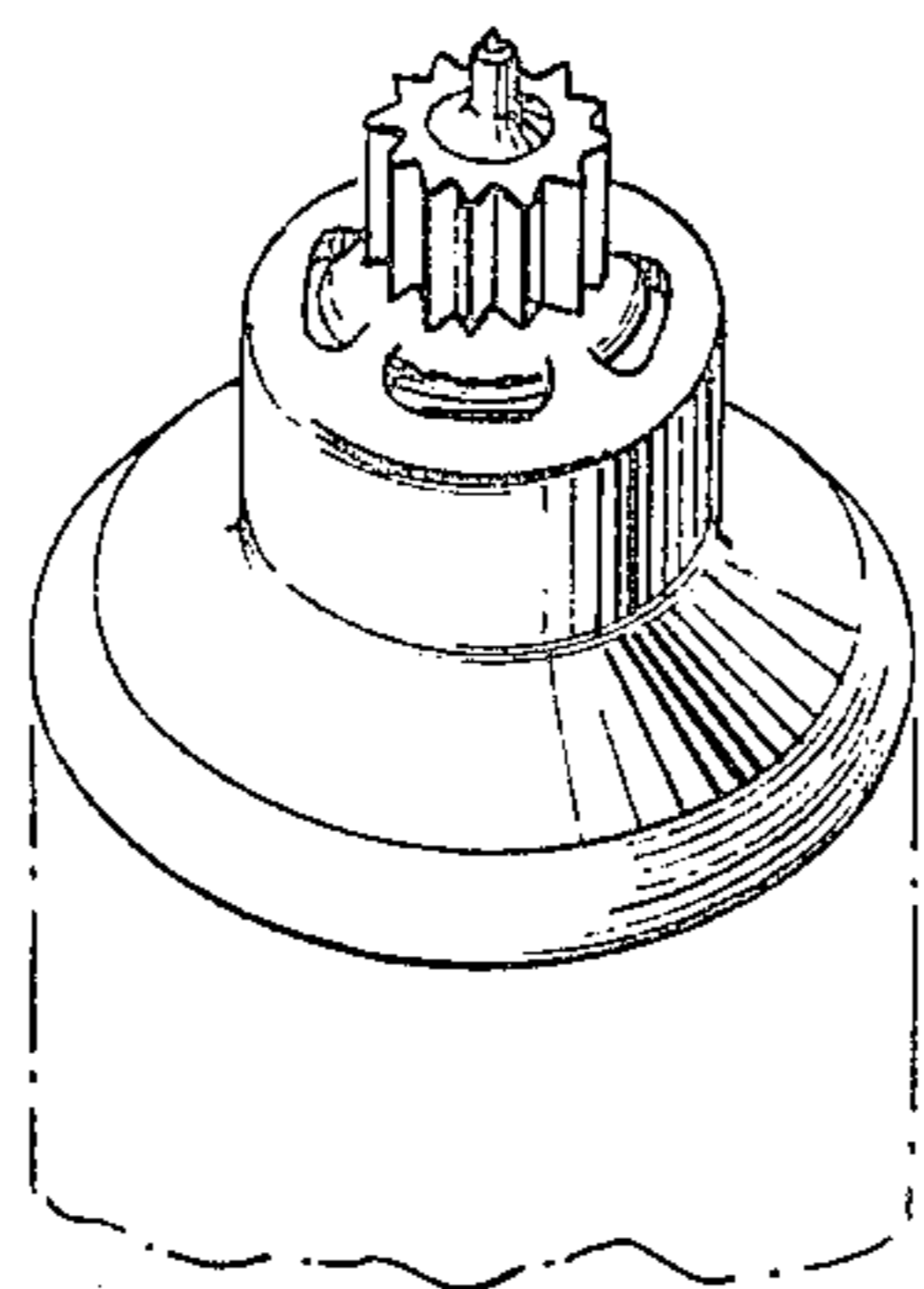


Fig-1

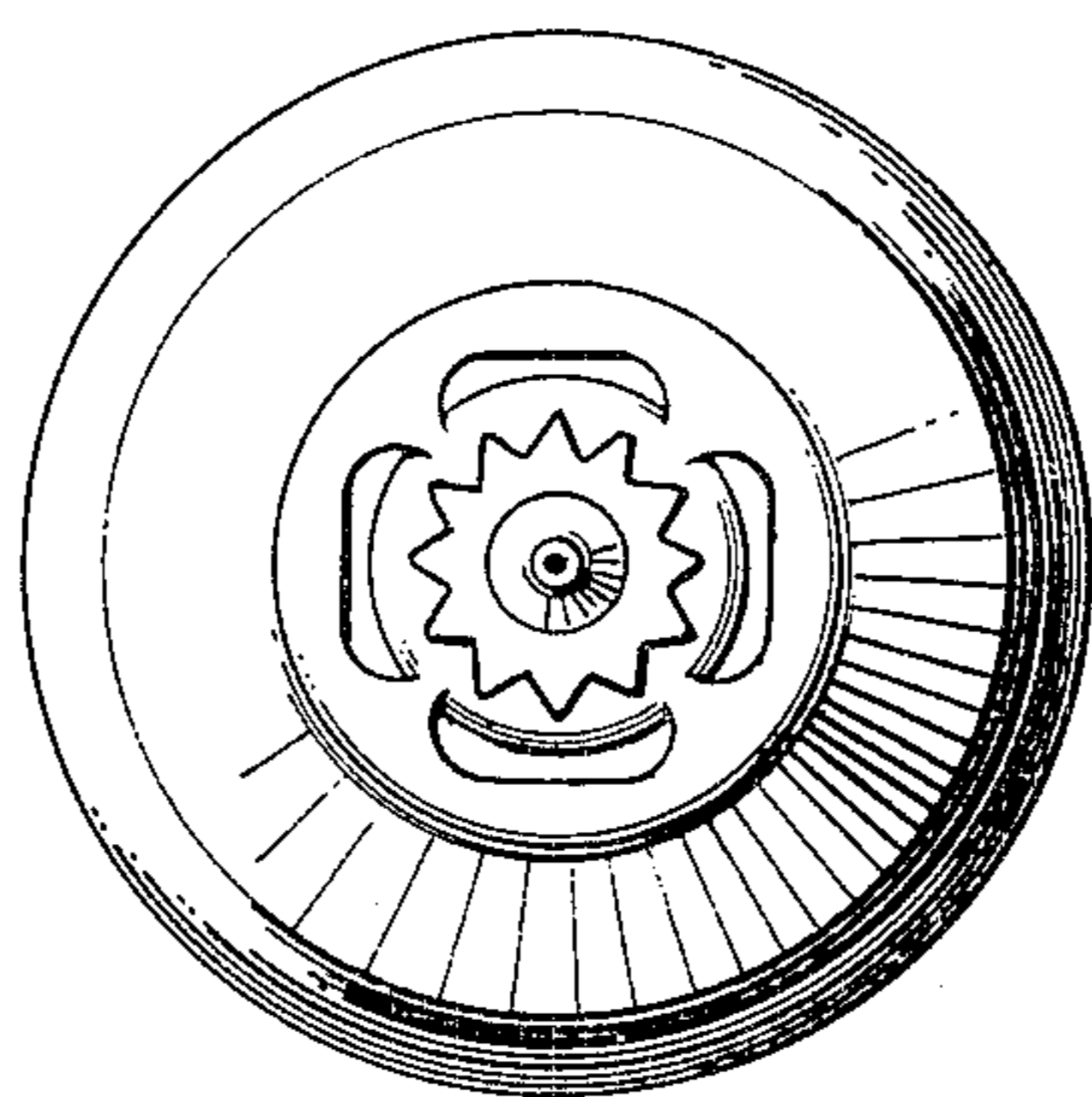


Fig-2

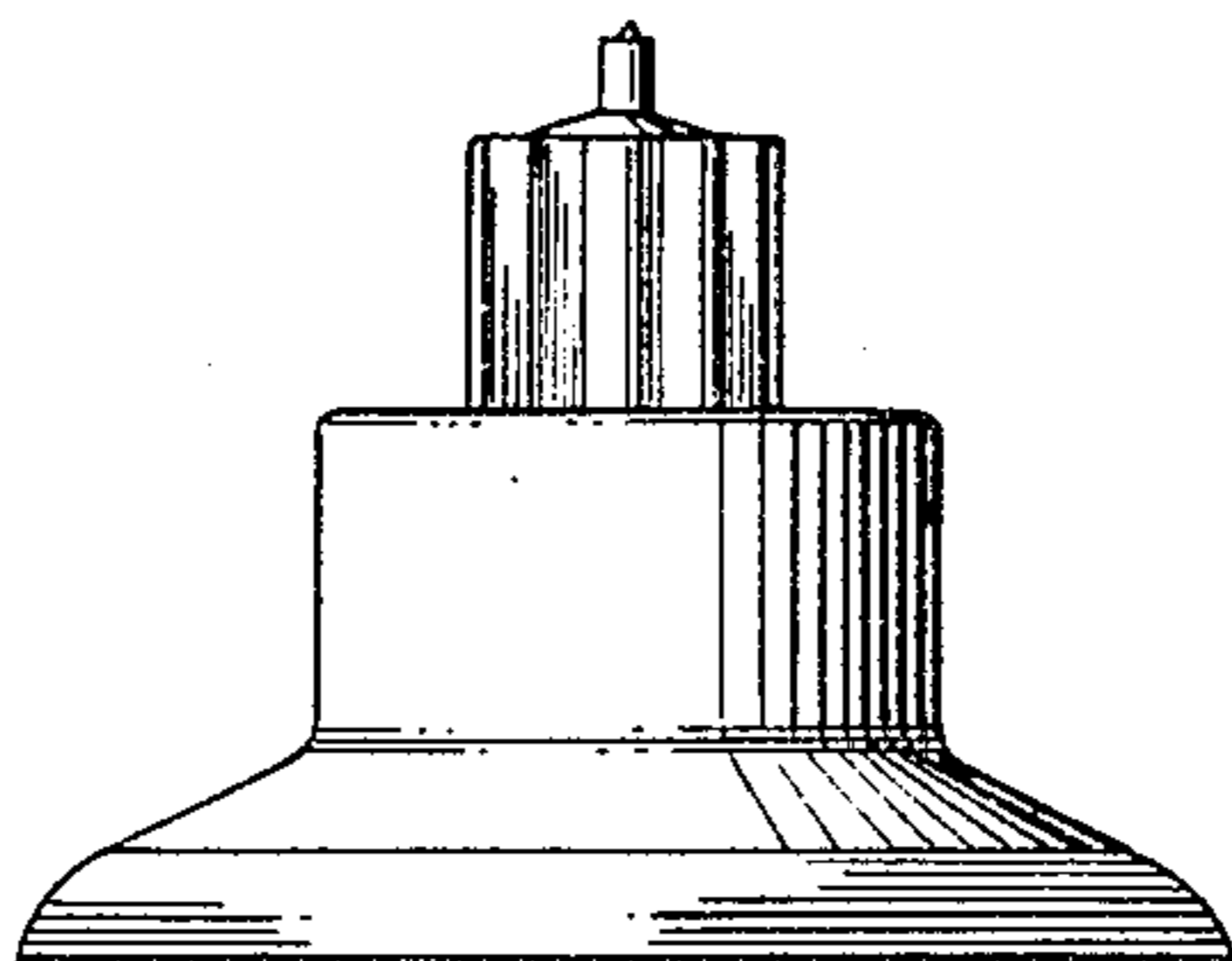


Fig-3