

United States Patent [19]

Slucker

[11] Patent Number: **Des. 286,619**

[45] Date of Patent: **** Nov. 11, 1986**

[54] **MERCHANDISING CRATE**

[76] Inventor: **Rudy Slucker, 49-33 31st Pl., Long Island City, N.Y. 11101**

[**] Term: **14 Years**

[21] Appl. No.: **718,890**

[22] Filed: **Apr. 2, 1985**

[52] U.S. Cl. **D9/432**

[58] Field of Search **D9/414, 432, 424; 217/36, 40, 42, 43 R, 43 A; 34/38, 40**

1,797,373 3/1931 Simmons 217/42 X
 2,117,194 5/1938 McElroy 217/36
 2,843,260 7/1958 Sommer 217/36 X

OTHER PUBLICATIONS

Modern Packaging Encyclopedia, 1970, p. 365, Wooden Box style 2.

Primary Examiner—Robert C. Spangler
Attorney, Agent, or Firm—Toren, McGeady, Stanger, Goldberg & Kiel

[56] **References Cited**
U.S. PATENT DOCUMENTS

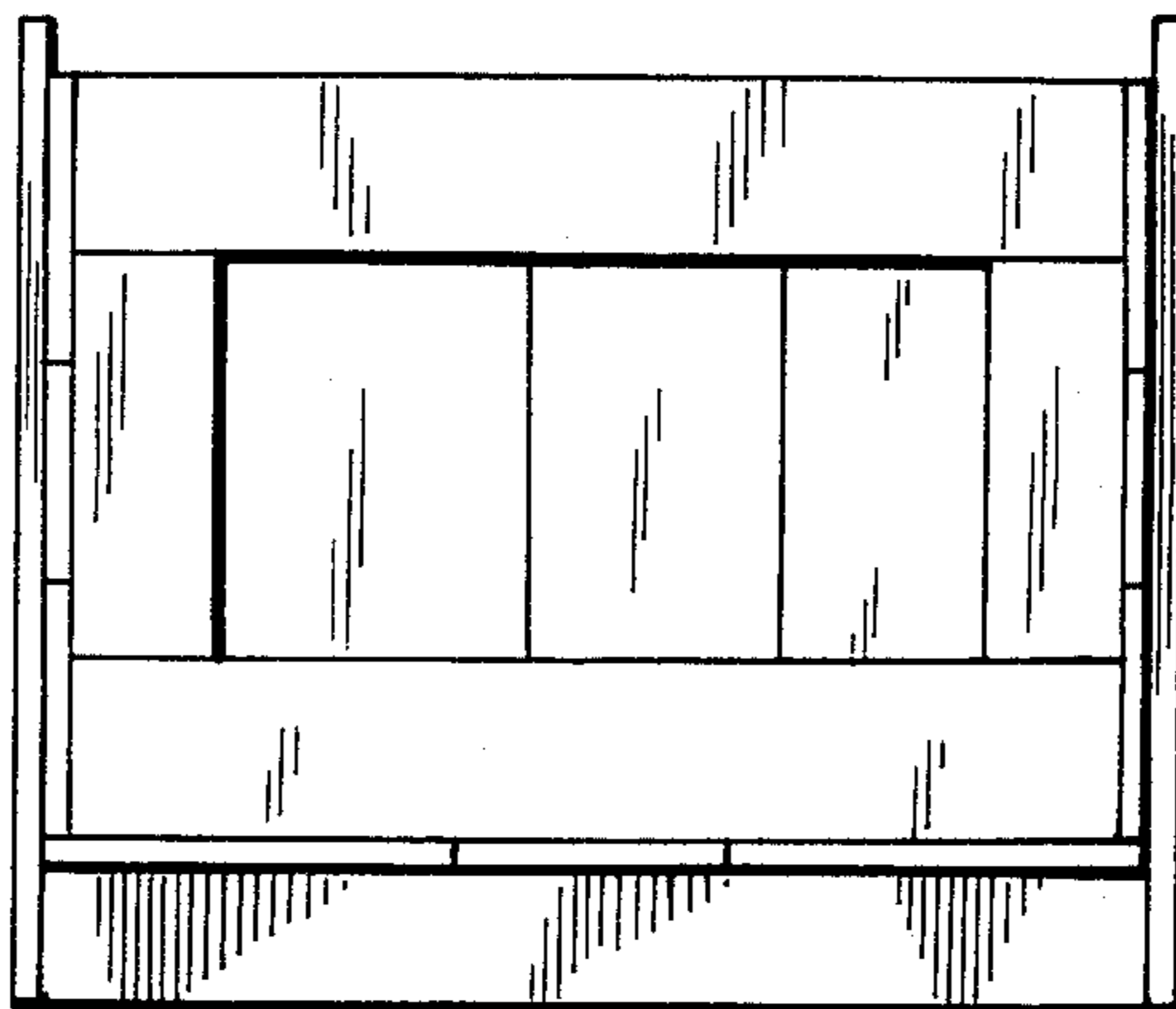
515,226 2/1894 Howell .
 756,260 4/1904 Miller et al. 217/42
 756,260 4/1904 Miller et al. .
 906,231 12/1908 Hubbard .
 999,020 7/1911 Erhart .
 1,222,543 4/1917 Dunn .
 1,470,063 10/1923 Davis .
 1,616,618 2/1927 Gaylord .

[57] **CLAIM**

The ornamental design for a merchandising crate, as shown.

DESCRIPTION

FIG. 1 is a perspective view of a merchandising crate embodying my new design;
 FIG. 2 is a top view with the crate top removed;
 FIG. 3 is a bottom view;
 FIG. 4 is a side view; and
 FIG. 5 is an end view.



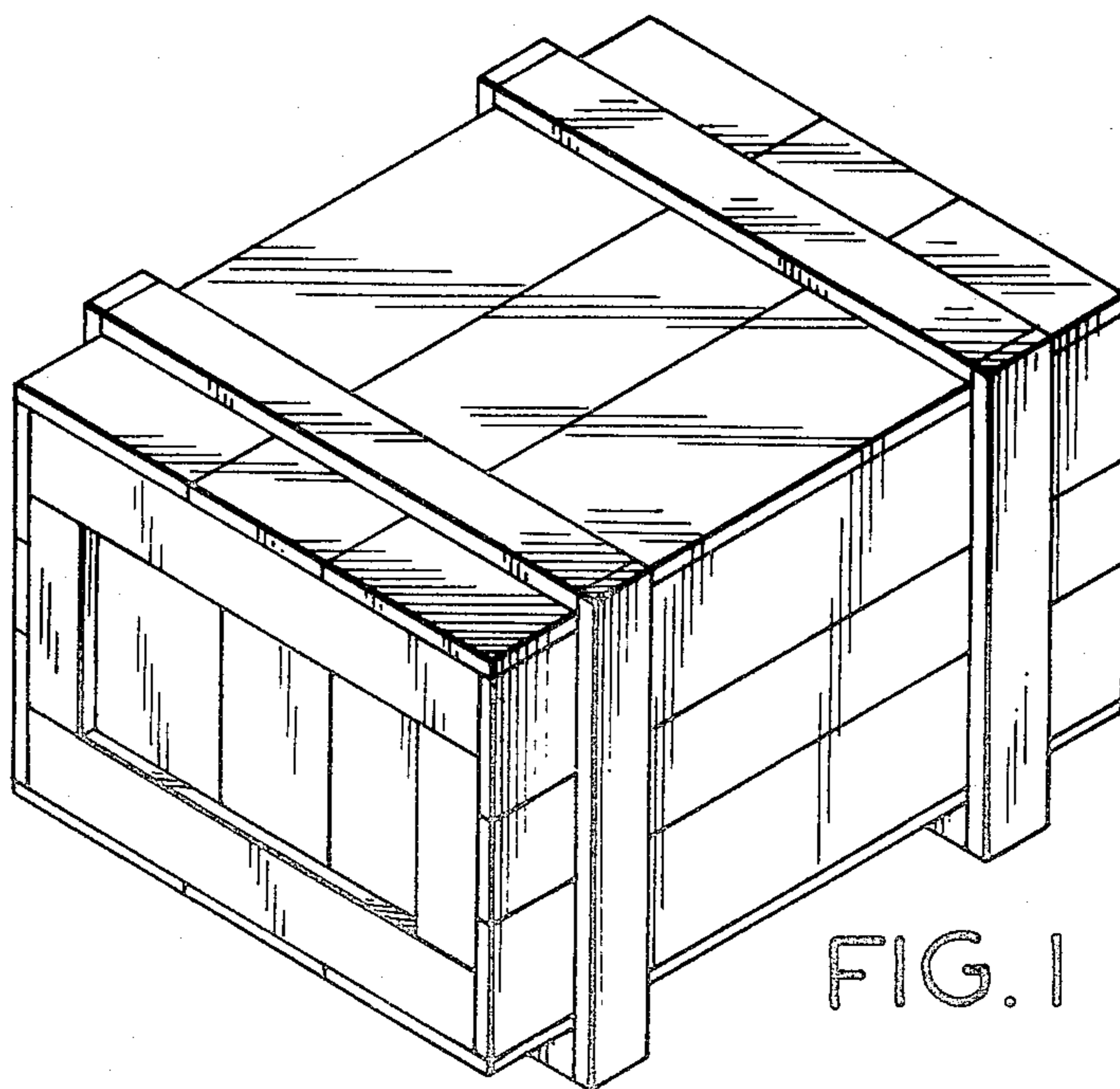


FIG. 1

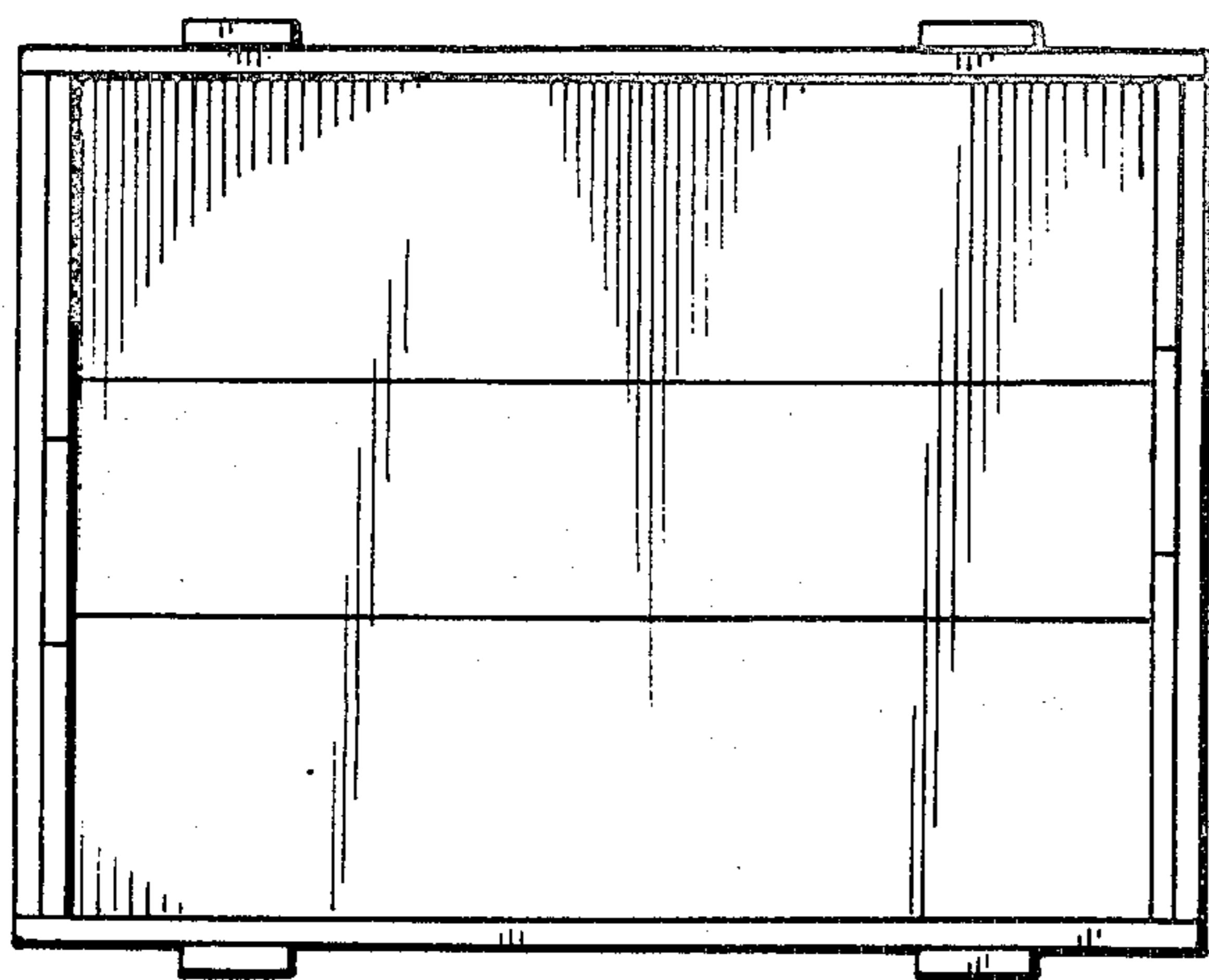


FIG. 2

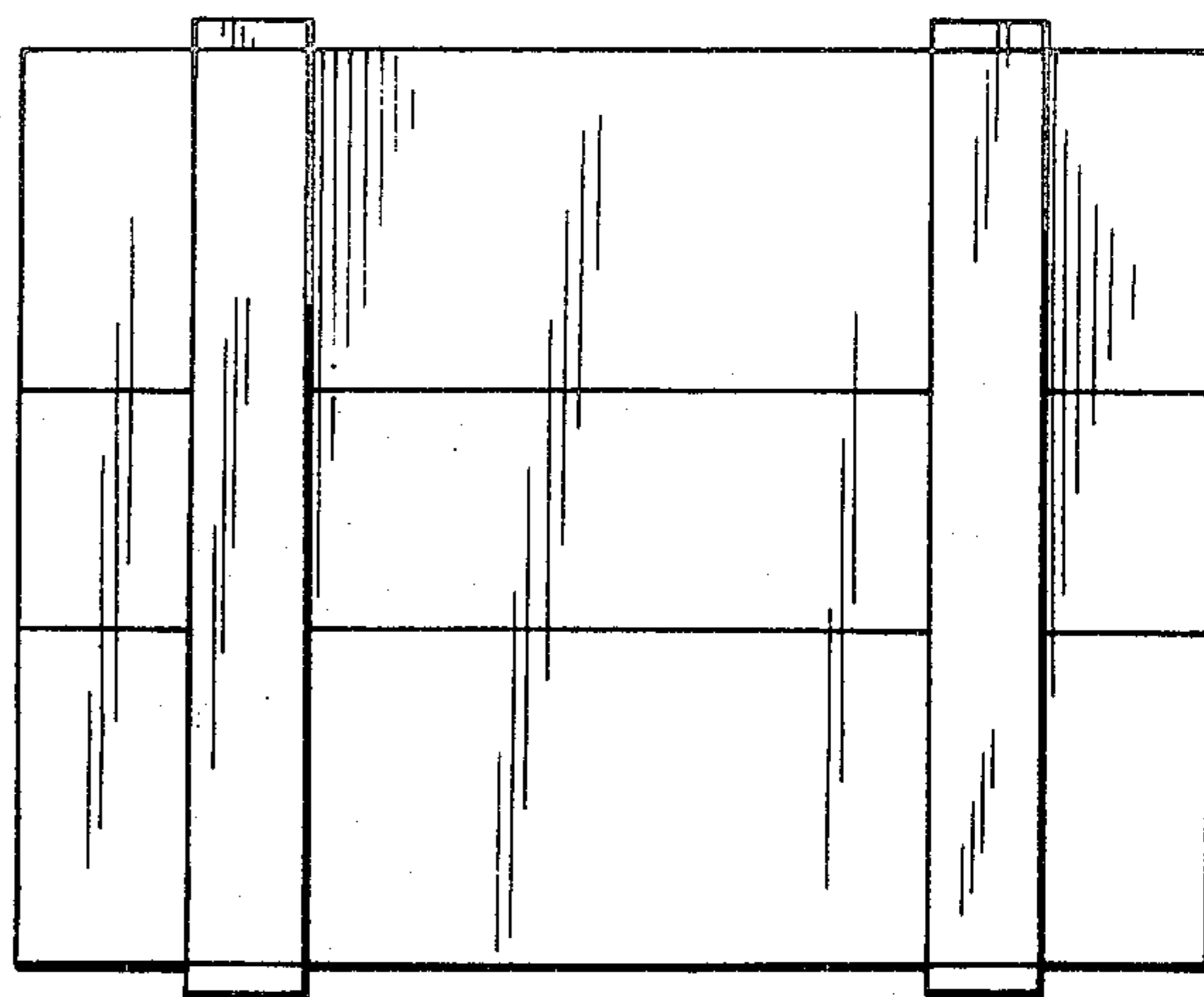


FIG. 3

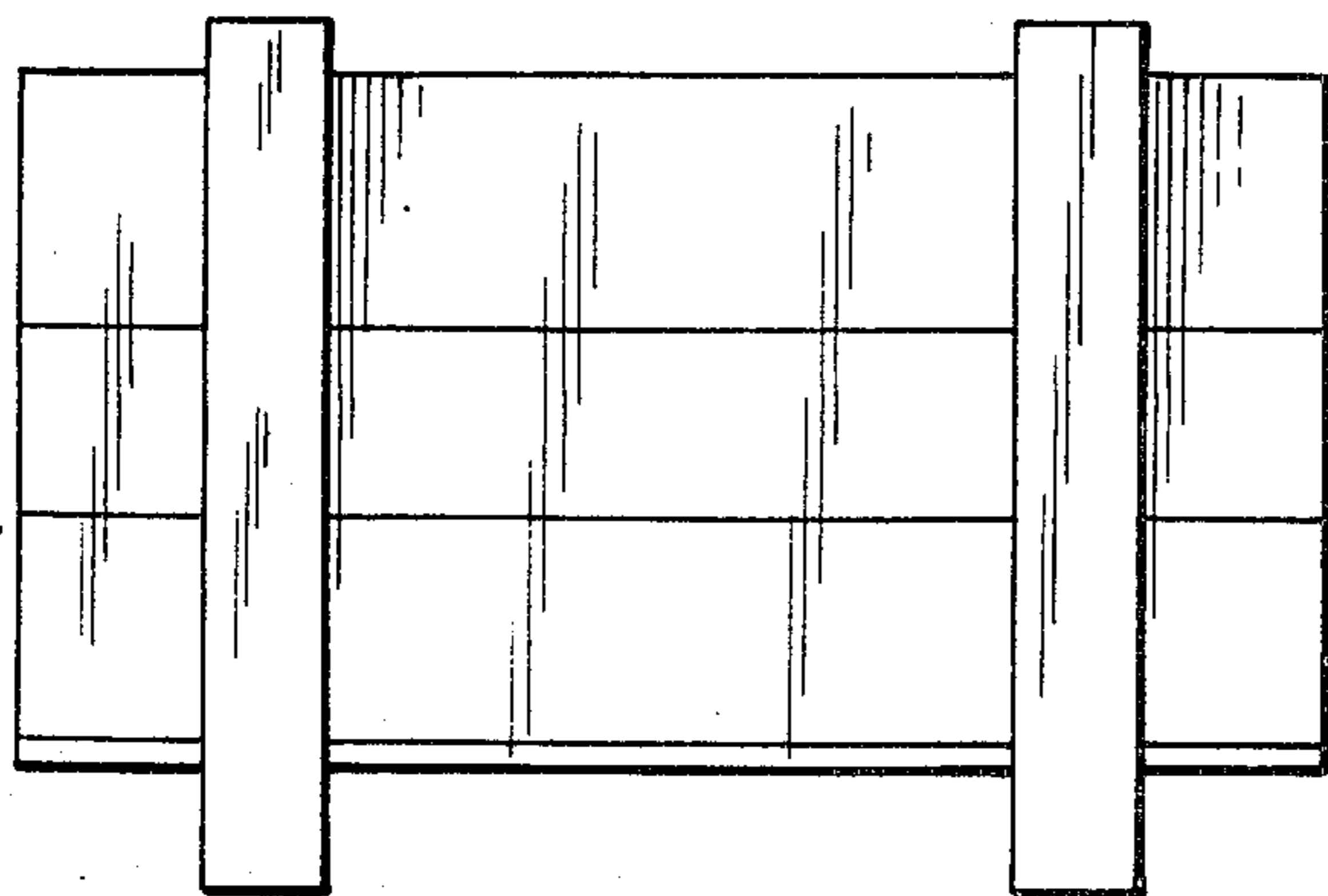


FIG. 4

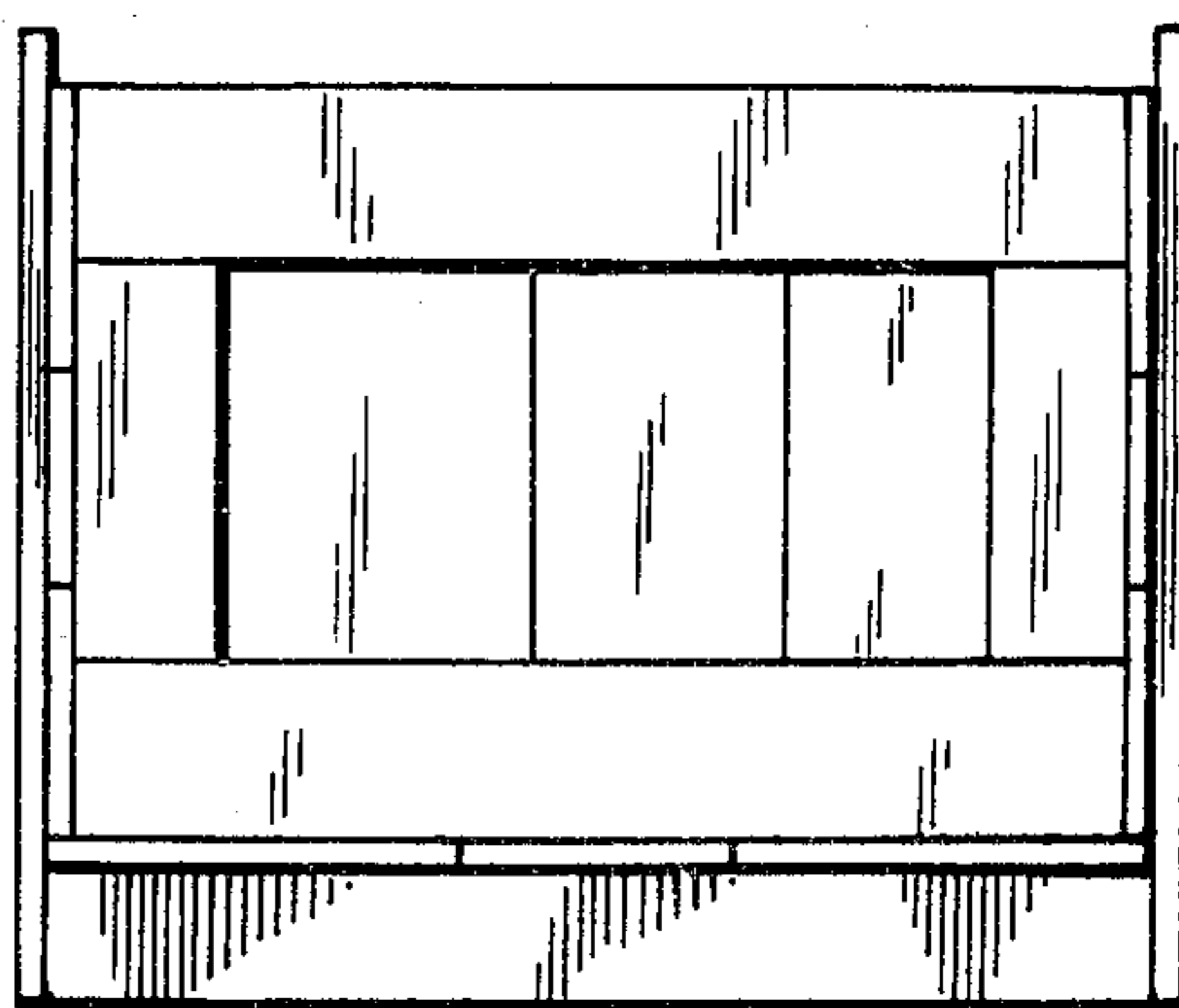


FIG. 5