

[54] PACKAGING TRAY FOR FOOD OR THE LIKE

[75] Inventors: John E. Kea, New Castle, Del.; Louis C. Woyce, Downingtown, Pa.

[73] Assignee: Westvaco Corporation, New York, N.Y.

[**] Term: 14 Years

[21] Appl. No.: 637,604

[22] Filed: Aug. 3, 1984

[52] U.S. Cl. D9/416; D9/425; D9/431; D9/432

[58] Field of Search D9/416, 425, 431, 432; 229/44 R, 43, 30, 31; 206/612, 628

[56] References Cited

U.S. PATENT DOCUMENTS

D. 283,399	4/1986	Forbes, Jr.	D9/416
D. 283,400	4/1986	Forbes, Jr.	D9/416
4,449,633	5/1984	Johnson et al.	206/612
4,456,164	6/1984	Foster et al.	229/43
4,531,668	7/1985	Forbes, Jr.	229/43

Primary Examiner—Robert C. Spangler

[57] CLAIM

The ornamental design for a packaging tray for food or the like, substantially as shown and described.

DESCRIPTION

FIG. 1 is a side elevational view of a packaging tray for food or the like showing our new design; FIG. 2 is an end elevational view; FIG. 3 is a top plan view; and FIG. 4 is a top perspective view with the lid removed.

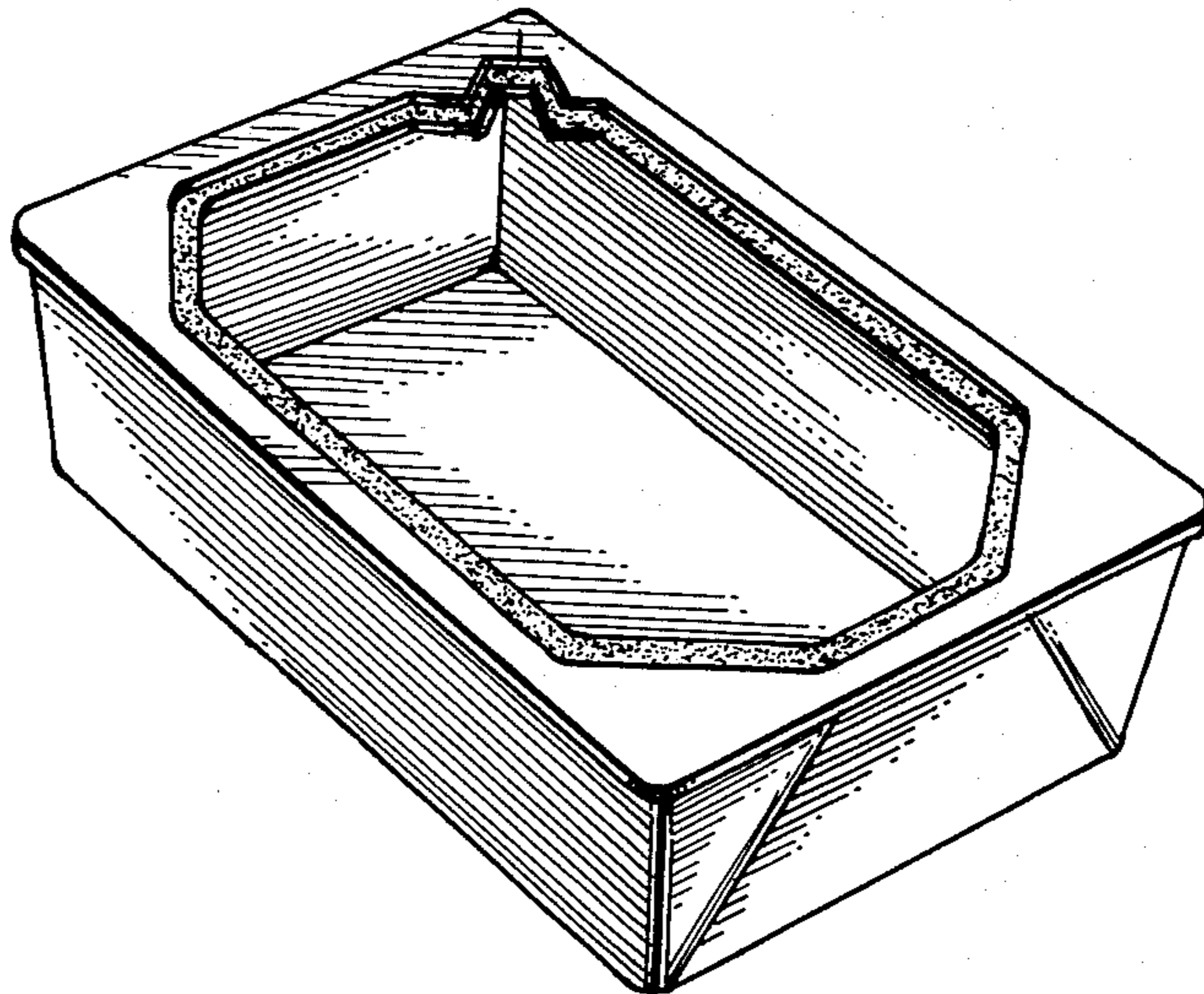


FIG 1.

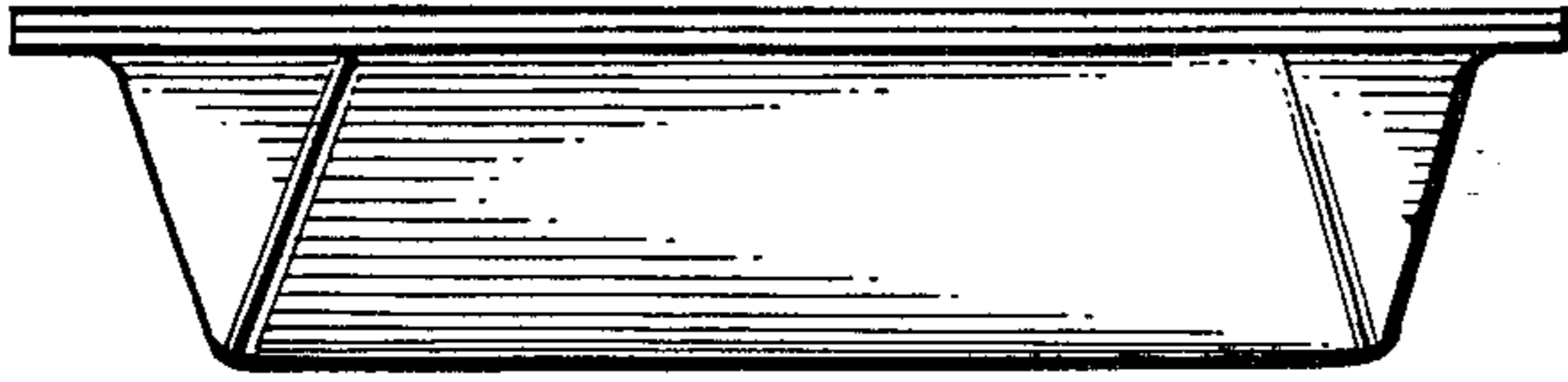


FIG 2.

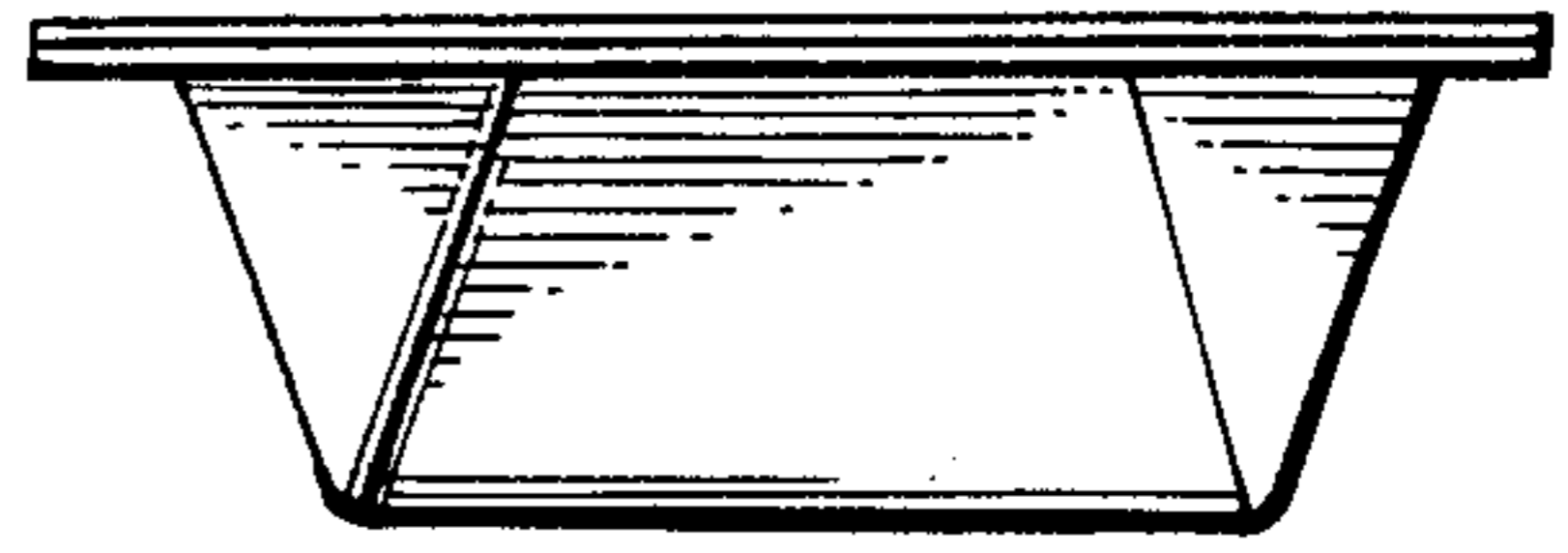


FIG 3.

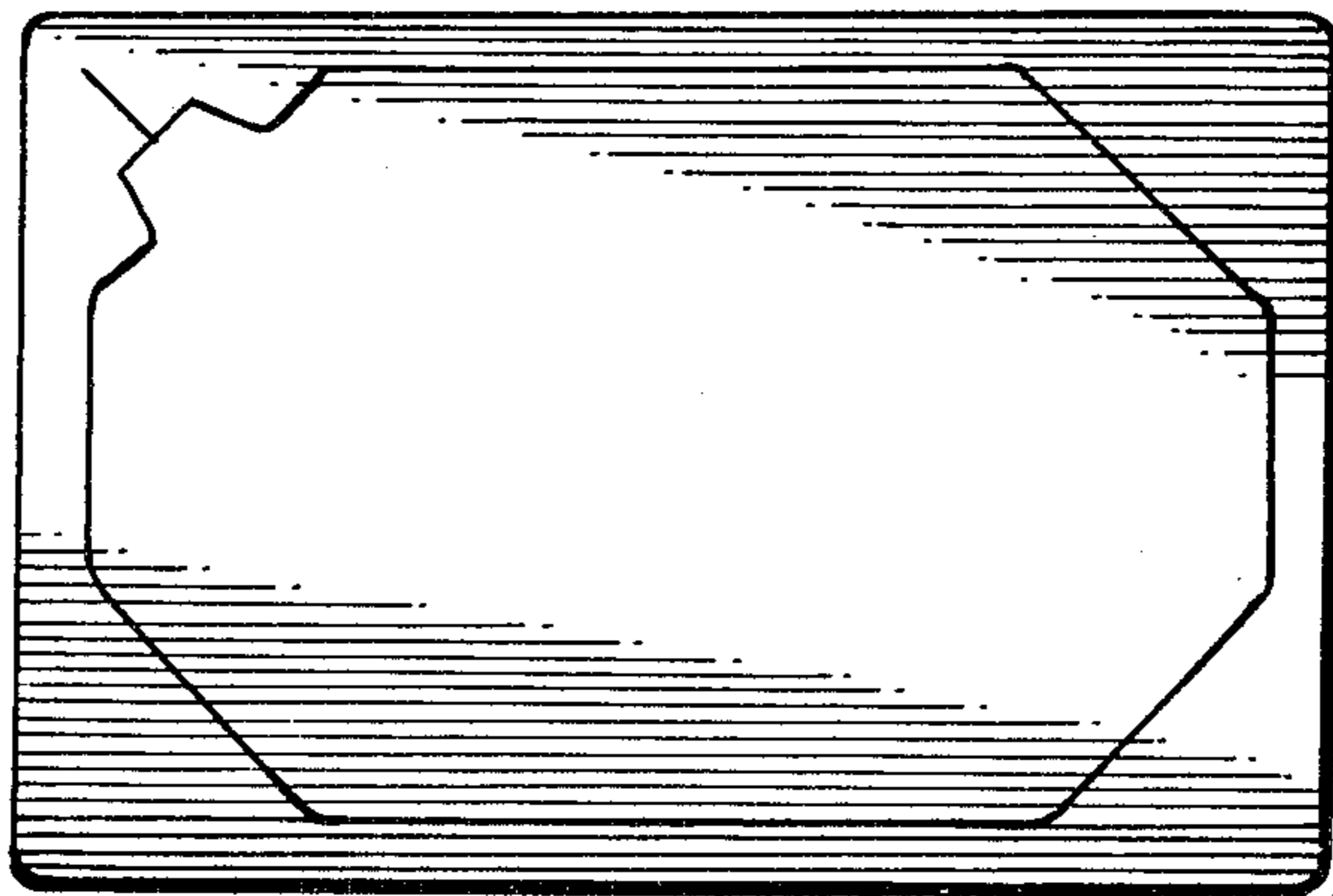


FIG 4.

