

[54] COMBINED PACKAGING AND DISPLAY CONTAINER FOR SMALL ARTICLES

D. 76,639 10/1928 Schleicher D9/318
D. 183,922 11/1958 Fogertey D9/318

[76] Inventor: Howard L. Weatherly, 2750 Satsuma, Dallas, Tex. 75229

Primary Examiner—Robert C. Spangler
Attorney, Agent, or Firm—Stanley R. Moore

[**] Term: 14 Years

[57] CLAIM

[21] Appl. No.: 540,449

The ornamental design for a combined packaging and display container for small articles, substantially as shown.

[22] Filed: Oct. 11, 1983

[52] U.S. Cl. D9/318

[58] Field of Search 229/8, 6 R; D9/318;
220/1 R; 206/457

DESCRIPTION

FIG. 1 is a side elevational view of a combined packaging and display container for small articles showing my new design;

FIG. 2 is a top plan view;

FIG. 3 is a bottom plan view;

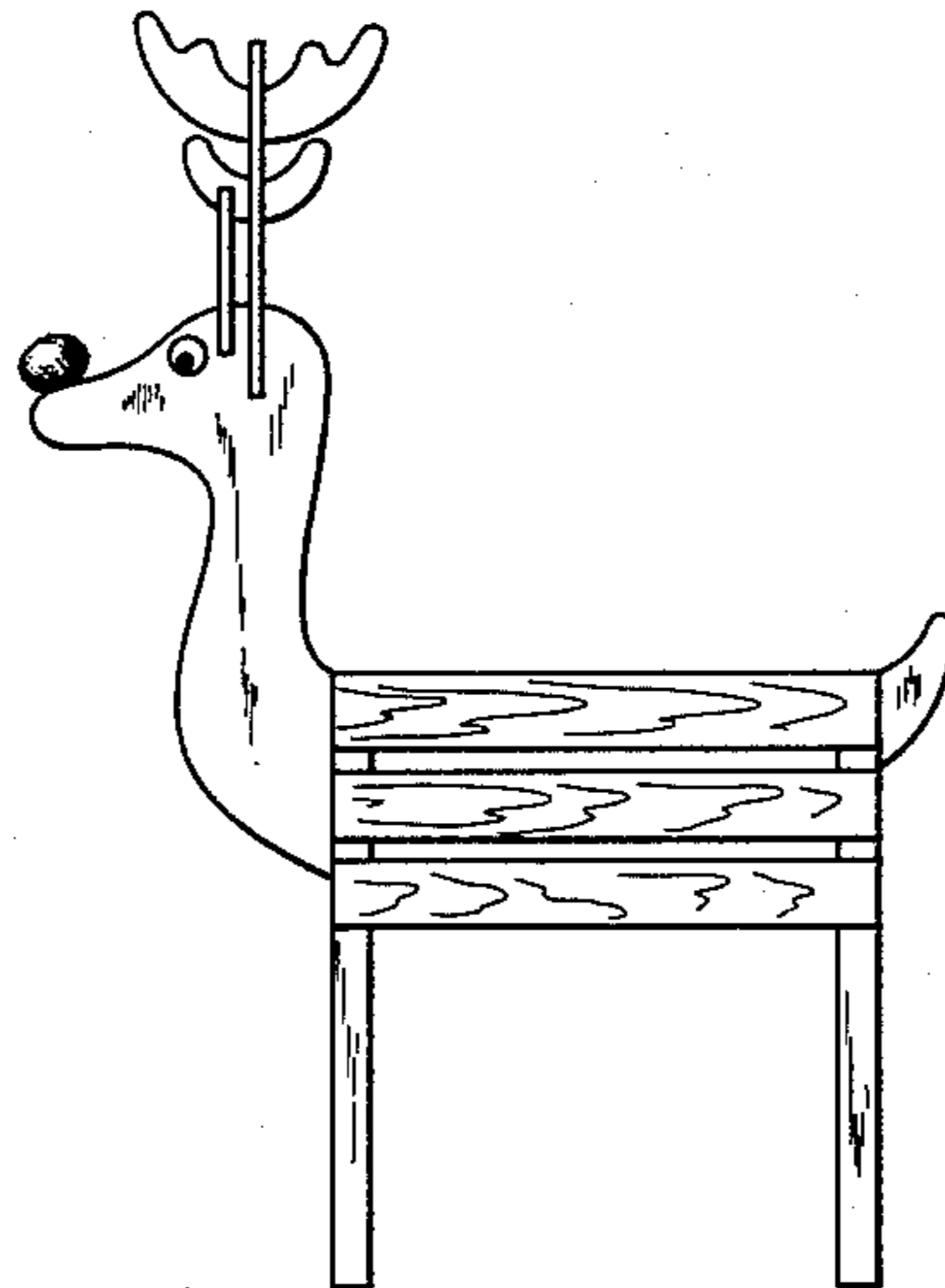
FIG. 4 is a front elevational view; and

FIG. 5 is a top perspective view thereof.

[56] References Cited

U.S. PATENT DOCUMENTS

D. 68,699 11/1925 Gollnik D9/318
D. 73,500 9/1927 Hamilton D9/318



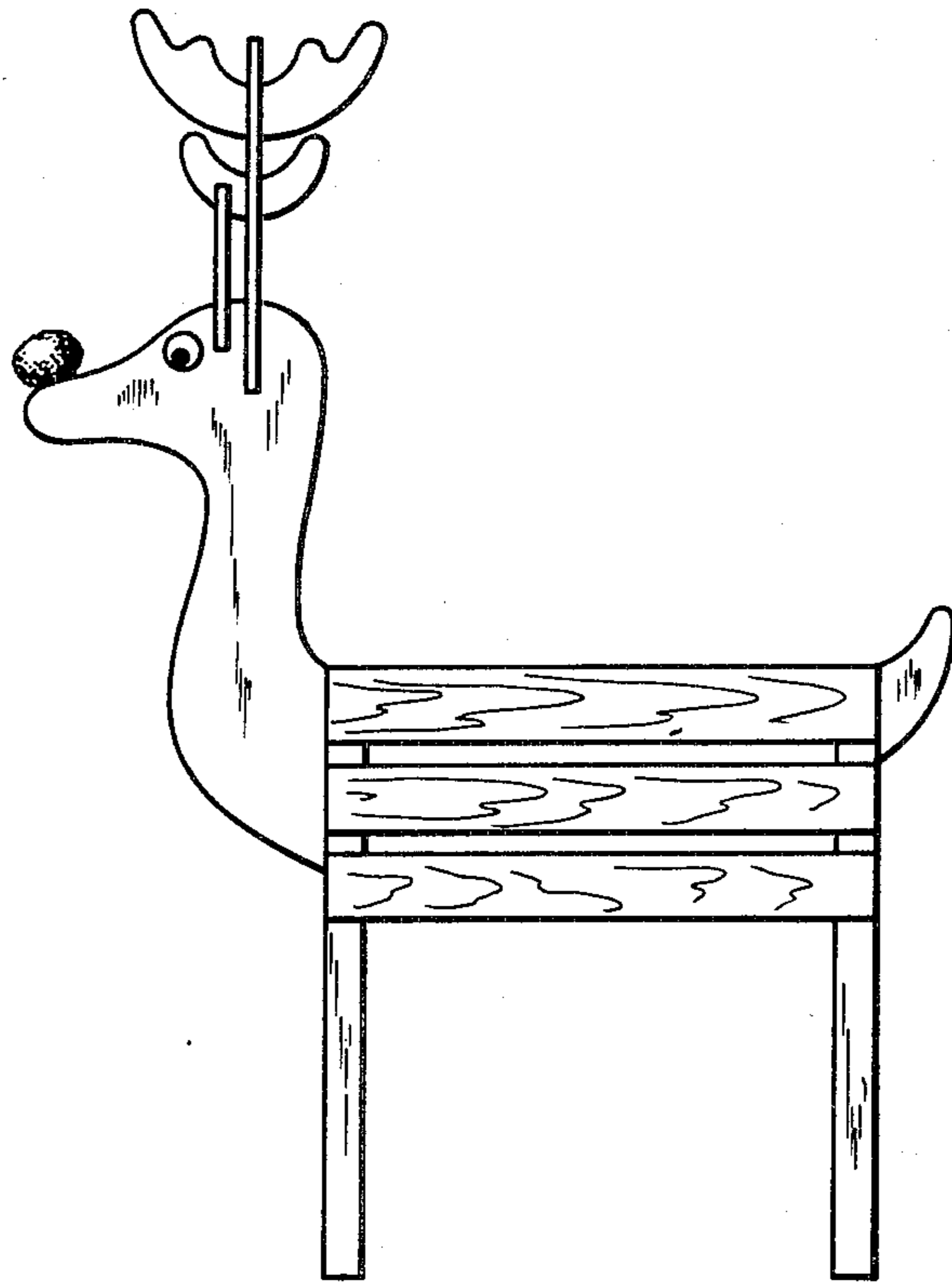


FIG. 1

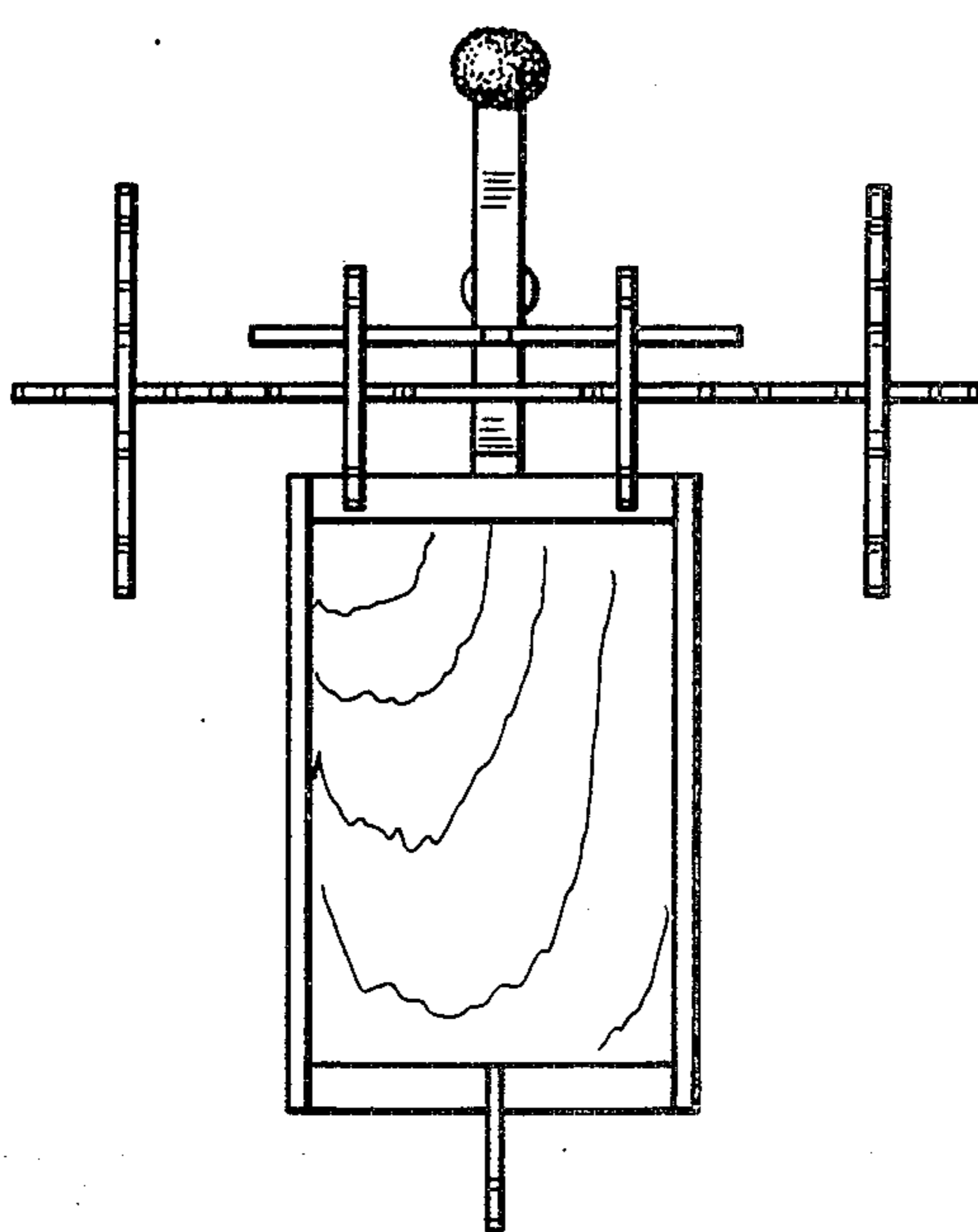


FIG. 2

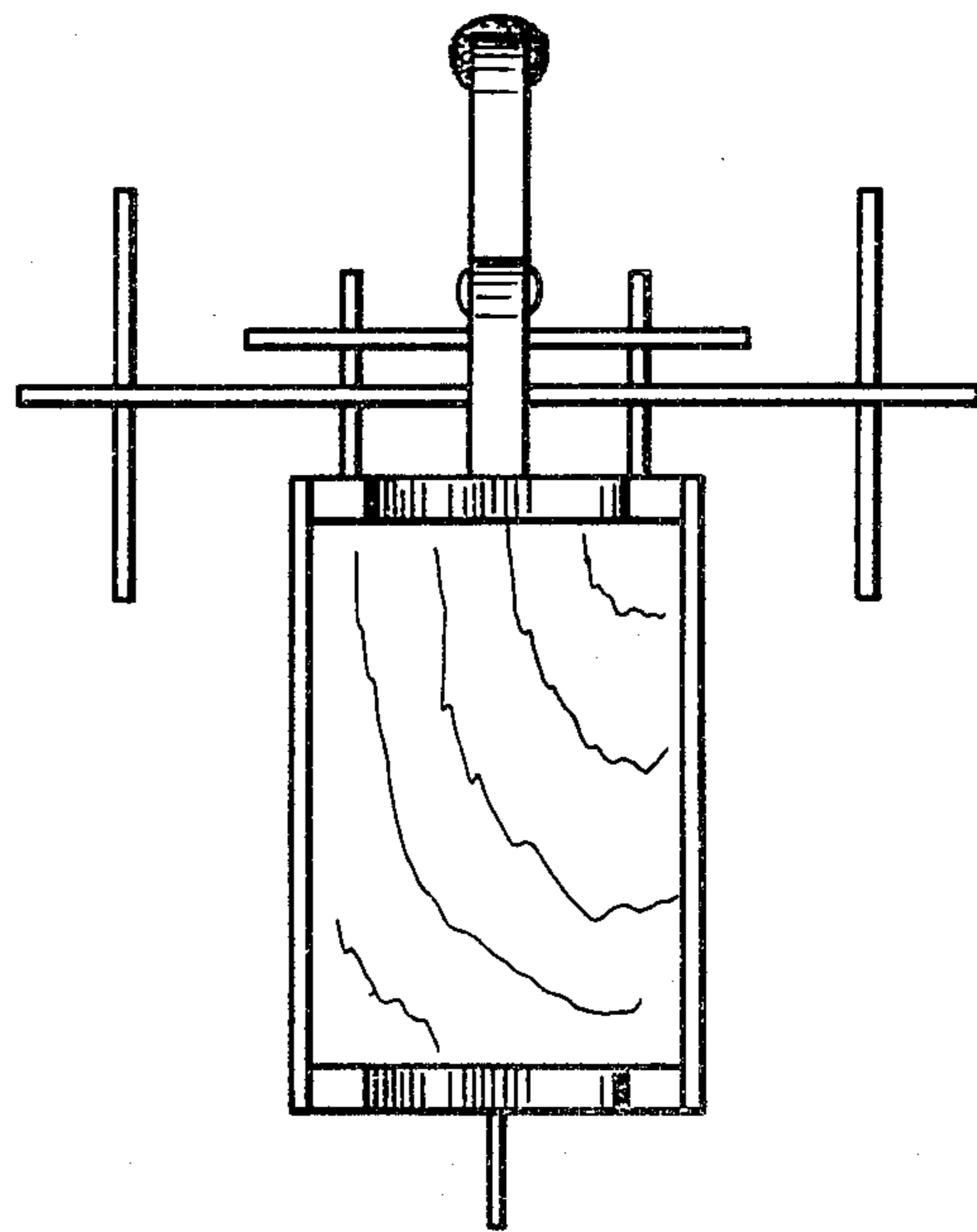


FIG. 3

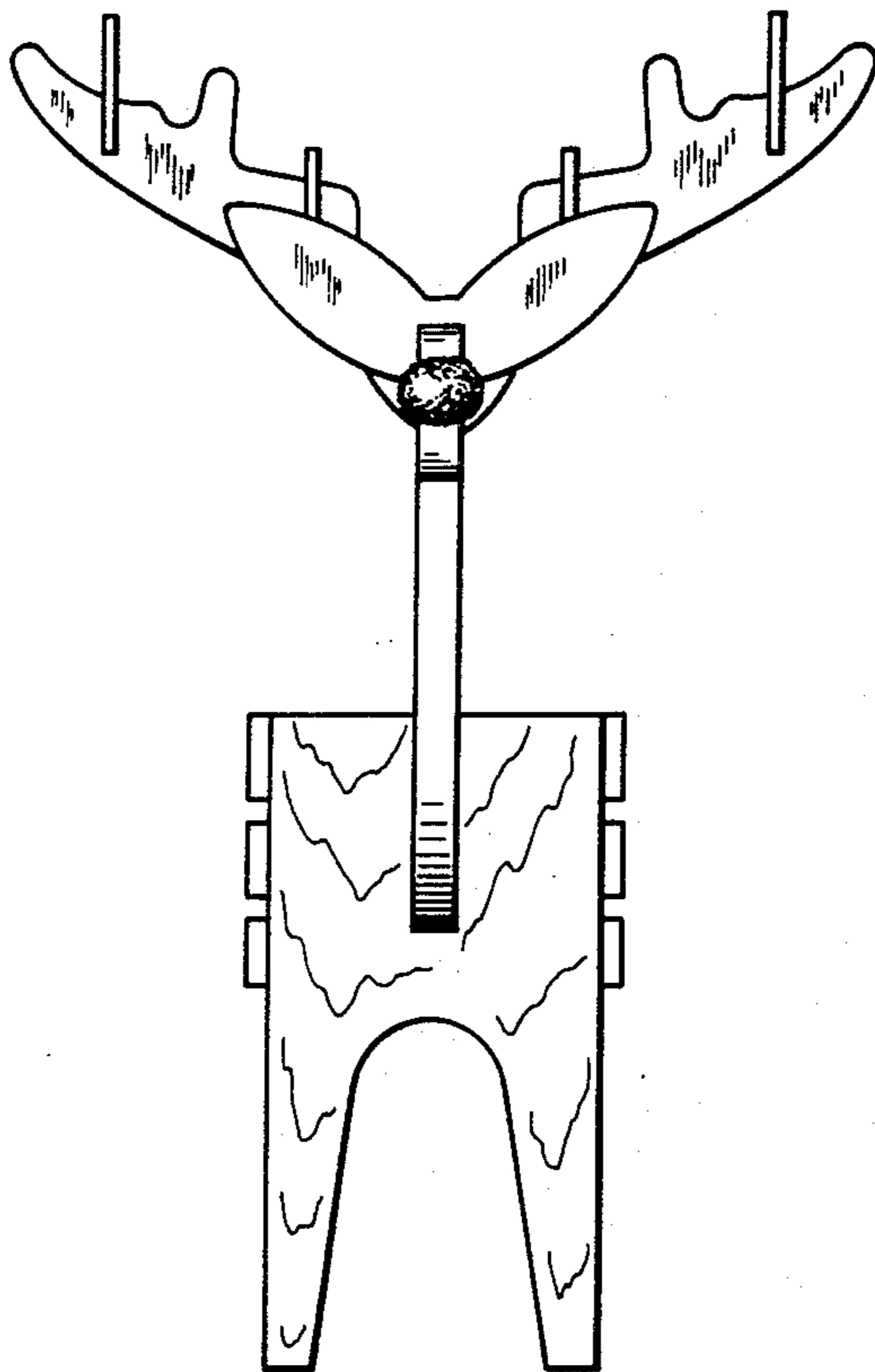


FIG. 4

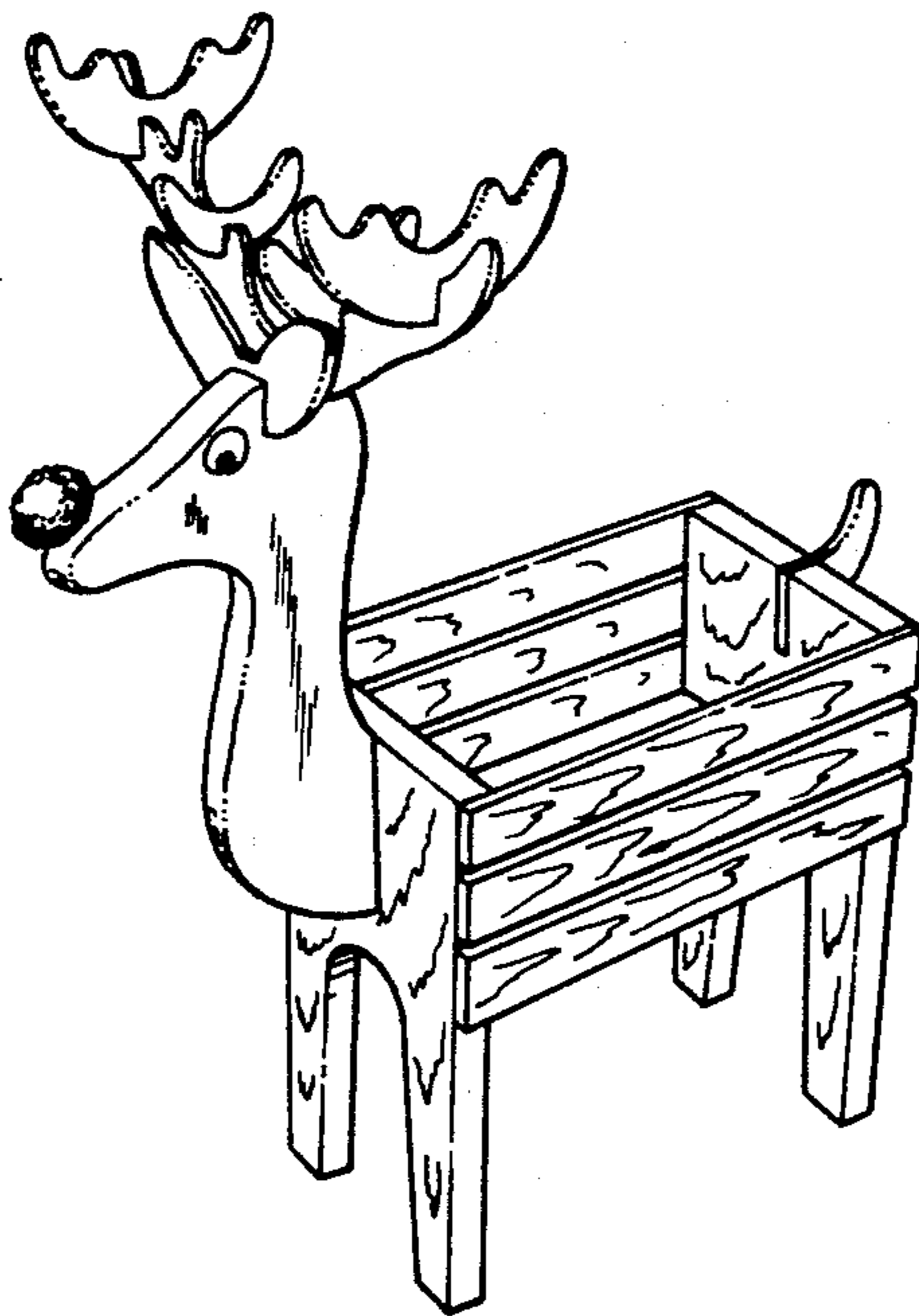


FIG. 5