

[54] **PORTABLE DRUM REEL FOR FLATTENED TUBE**

[75] **Inventor: Giacomo Brusadin, Pordenone, Italy**

[73] **Assignee: Uniflex Utiltime S.p.A., Pordenone, Italy**

[\*\*] **Term: 14 Years**

[21] **Appl. No.: 629,074**

[22] **Filed: Jul. 9, 1984**

[52] **U.S. Cl. .... D8/359; 242/85**

[58] **Field of Search ..... D8/356, 358, 359, 360; D22/25; 242/85, 96; D13/30**

[56] **References Cited**

**U.S. PATENT DOCUMENTS**

D. 158,640	5/1950	Bod	.....	D8/359
D. 215,646	10/1969	Anderson	.....	D8/358
D. 260,029	7/1981	Gehrke	.....	D22/25
D. 277,260	1/1985	Dickens	.....	D8/358
D. 281,482	11/1985	Suzuki	.....	D8/358

2,805,582	9/1957	Greene	.....	D8/360
2,873,839	2/1959	Bishop	.....	D8/358
3,058,688	10/1962	Abel	.....	D8/358
3,880,378	4/1975	Ballenger	.....	242/96
4,368,858	1/1983	Salomon	.....	242/85

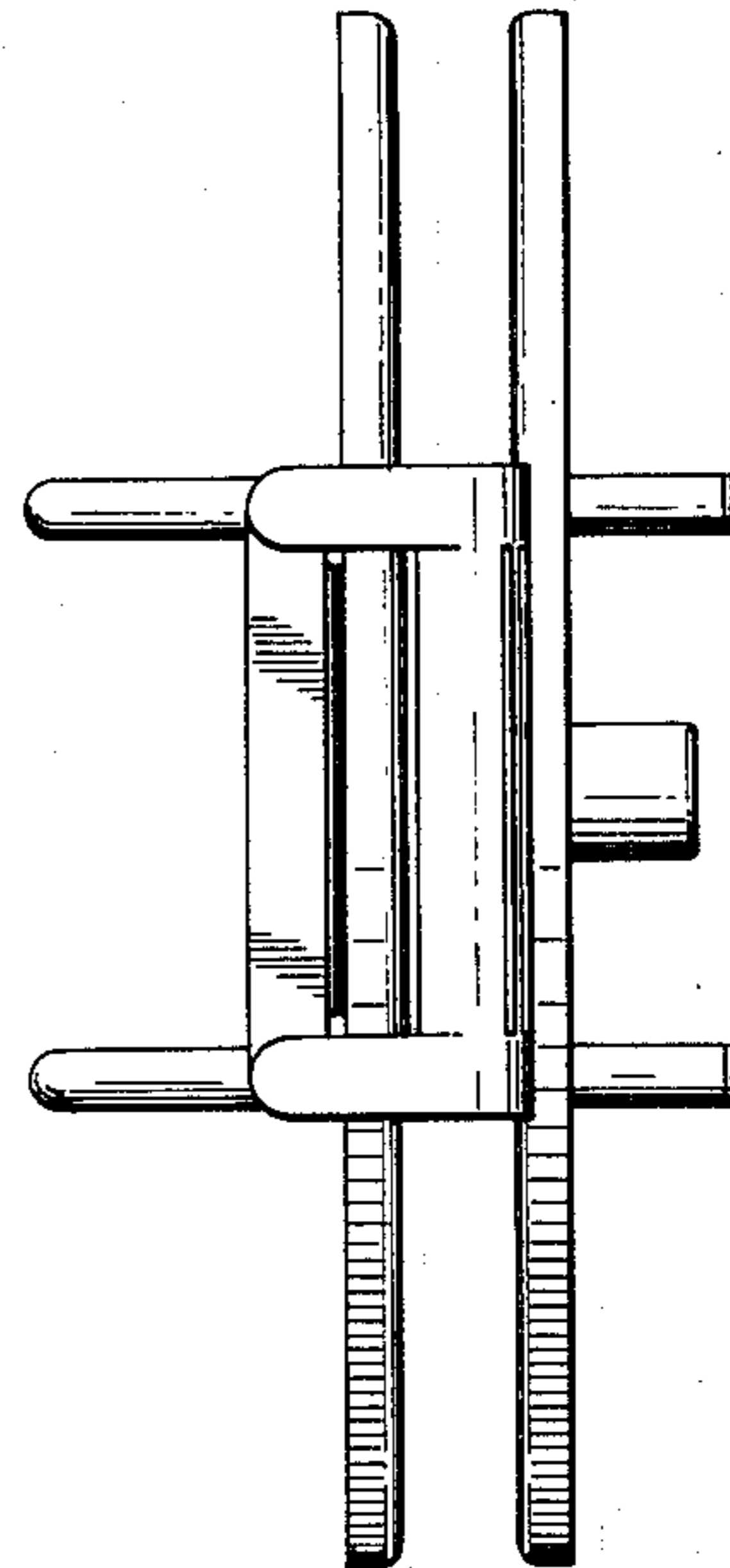
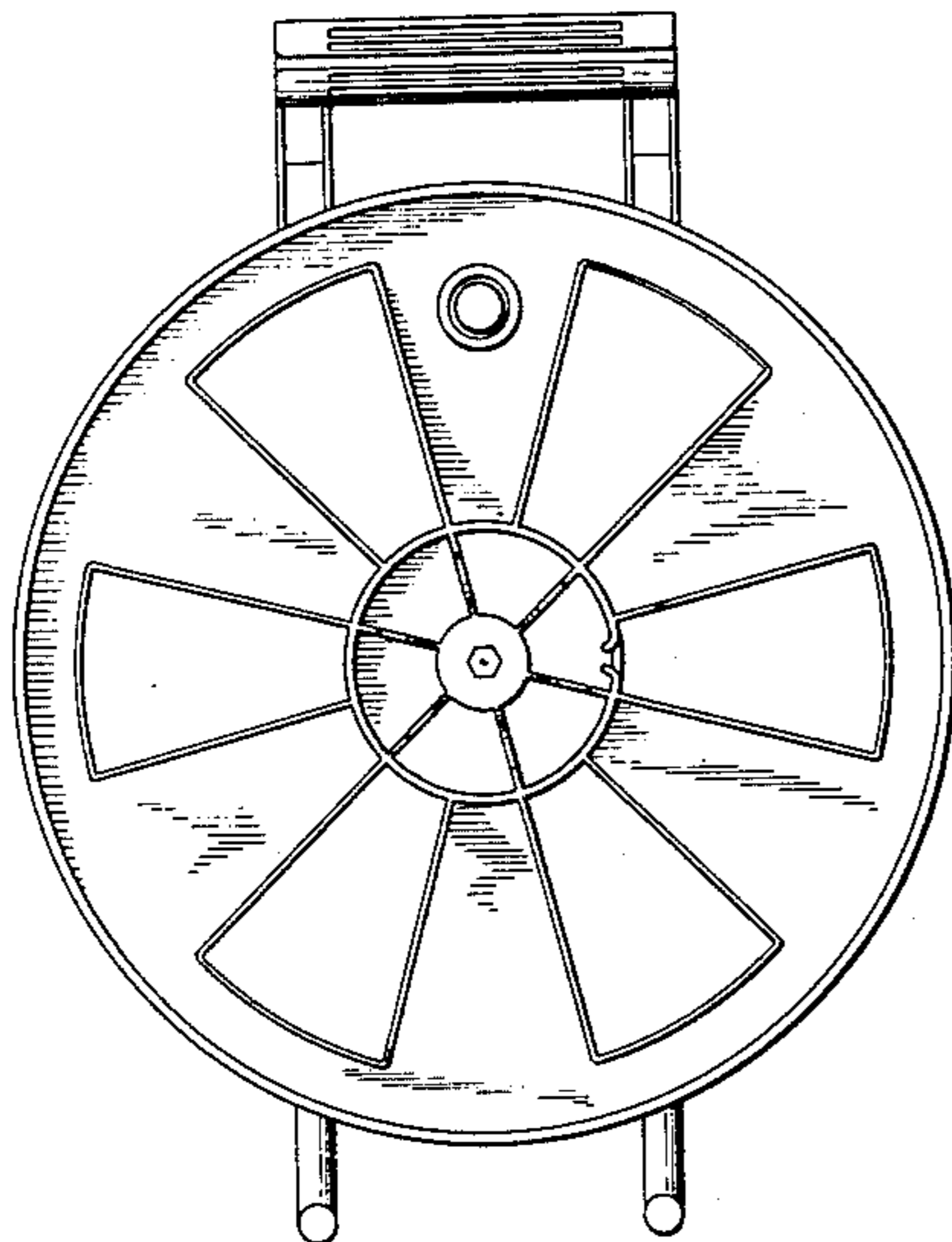
*Primary Examiner*—Wallace R. Burke  
*Assistant Examiner*—Horace B. Fay  
*Attorney, Agent, or Firm*—Wenderoth, Lind & Ponack

[57] **CLAIM**

The ornamental design for a portable drum reel for flattened tube, substantially as shown and described.

**DESCRIPTION**

FIG. 1 is a front elevational view of a portable reel for flattened tube showing my new design;  
 FIG. 2 is a right side elevational view thereof;  
 FIG. 3 is a rear elevational view thereof showing the legs in an alternative position;  
 FIG. 4 is a top plan view thereof; and  
 FIG. 5 is a perspective view from above of the right side top and rear thereof, showing the legs in alternative position.



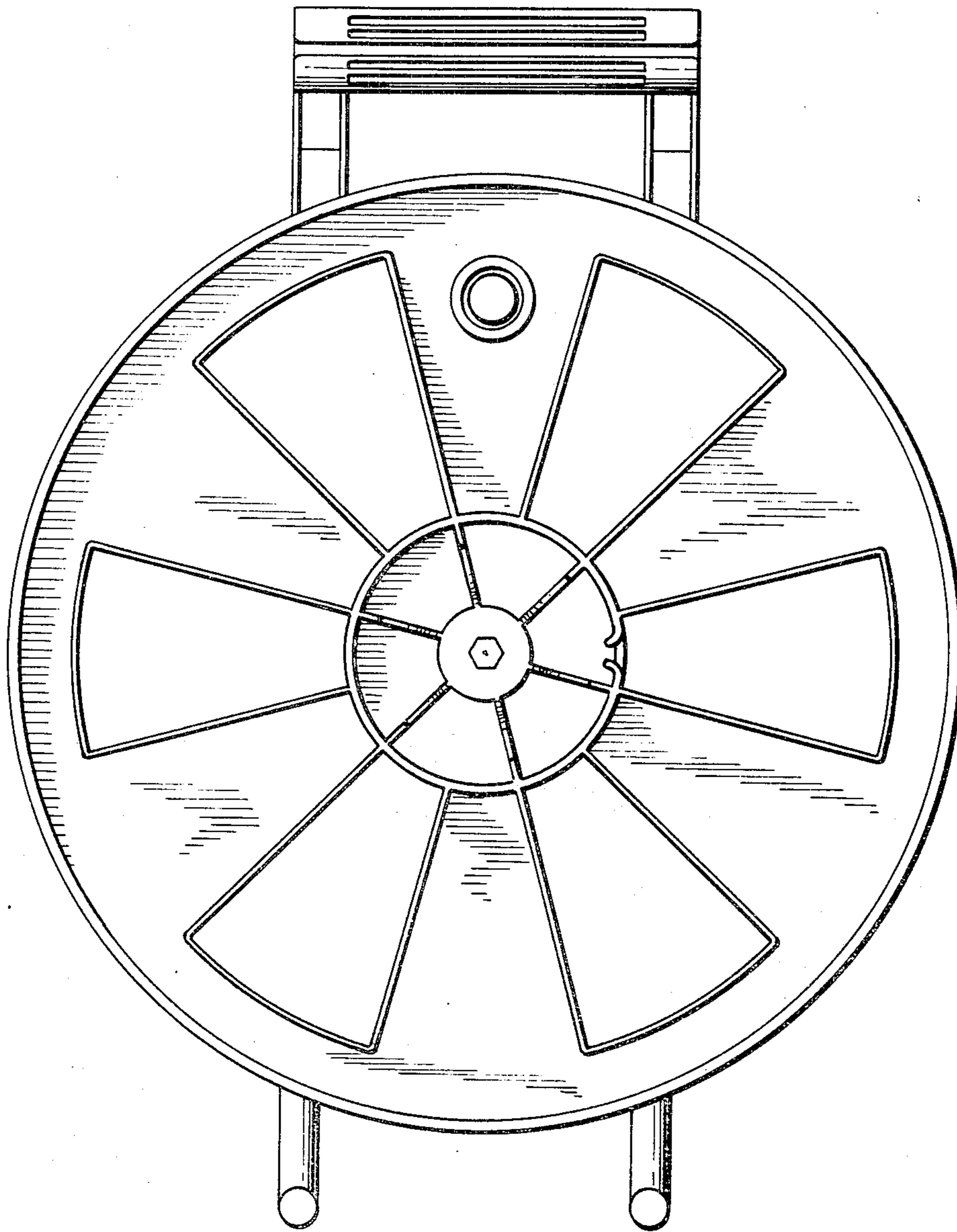


FIG. 1

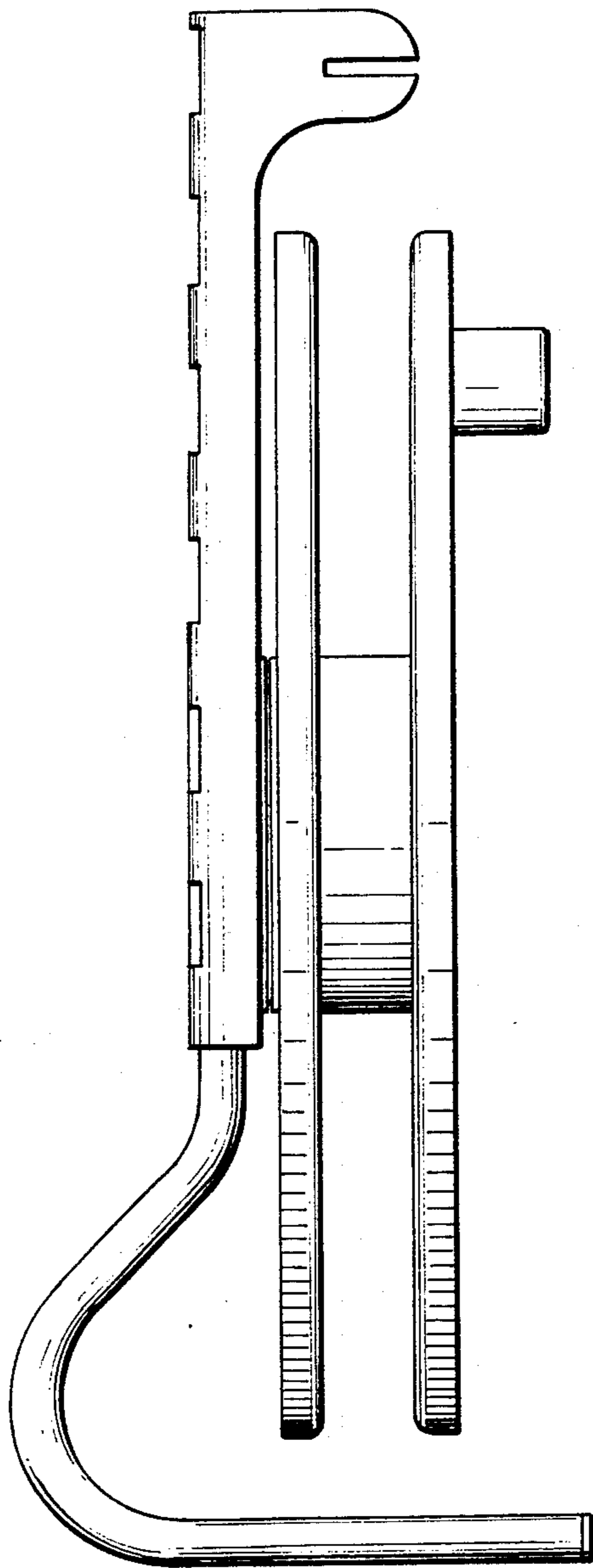


FIG. 2

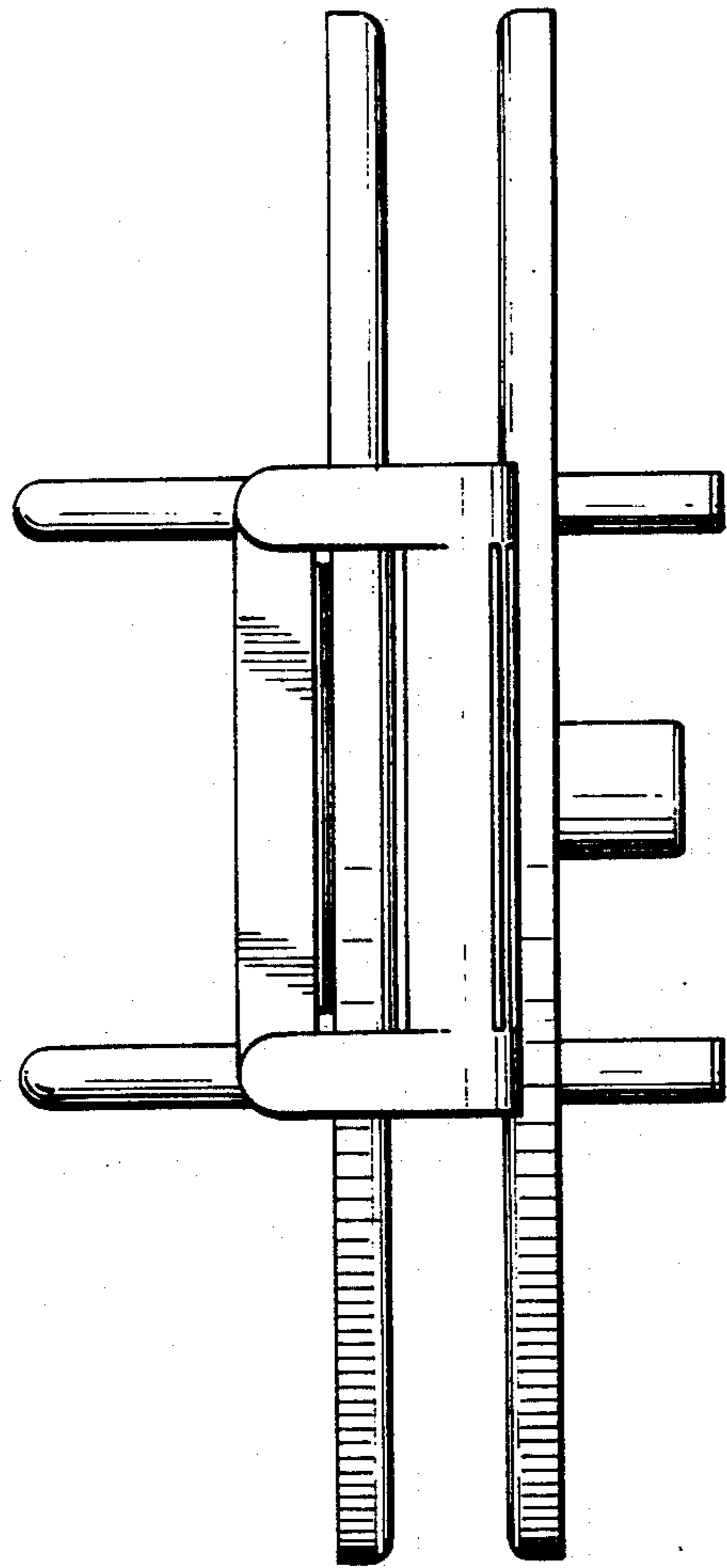


FIG. 4

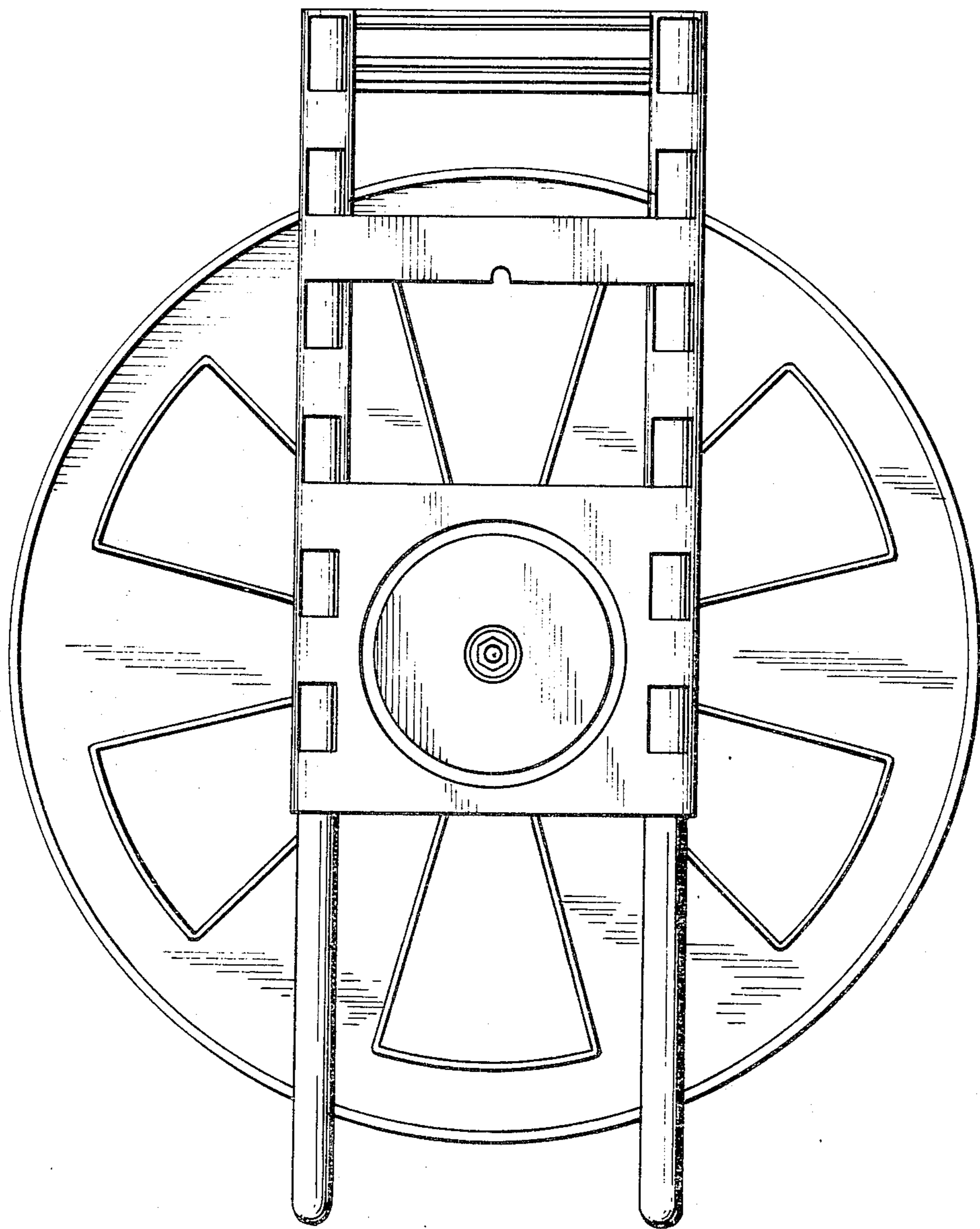


FIG. 3



FIG. 5

