

- [54] VISE
- [75] Inventors: **Ronald P. Hickman**, St. Brelade, Channel Islands; **Ralph J. Secoura**, Baltimore; **David M. Dunker**, Easton, both of Md.
- [73] Assignee: **Black & Decker Inc.**, Newark, Del.
- [**] Term: **14 Years**
- [21] Appl. No.: **490,422**
- [22] Filed: **May 2, 1983**
- [52] U.S. Cl. **D8/74**
- [58] Field of Search **D8/71, 72, 73, 74, 394; 269/88, 139, 218, 219, 220, 221**

- 4,140,309 2/1979 Hickman .
- 4,248,411 2/1981 Wagster et al. .
- 4,265,436 5/1981 Wagster et al. .

OTHER PUBLICATIONS

The Warven Group catalog, 1977, p. 27, Hargrave Bar Clamp No. 640.

Primary Examiner—Susan J. Lucas
Assistant Examiner—C. E. Heflin
Attorney, Agent, or Firm—Finnegan, Henderson, Farabow, Garrett & Dunner

[57] CLAIM

The ornamental design for a vise, substantially as shown and described.

DESCRIPTION

FIG. 1 is a perspective view of the vise showing our new design;
FIG. 2 is a top plan view thereof;
FIG. 3 is a side elevational view thereof;
FIG. 4 is an opposite side elevational view thereof;
FIG. 5 is a bottom plan view thereof;
FIG. 6 is a front elevational view thereof; and
FIG. 7 is a rear elevational view thereof.

[56] References Cited
U.S. PATENT DOCUMENTS

D. 214,093	5/1969	Green	D8/72
D. 243,820	3/1977	Hickman	D8/74
3,615,087	3/1969	Hickman .	
3,841,619	10/1974	Hickman .	
4,034,684	7/1977	Carson et al. .	
4,076,229	2/1978	Hickman .	
4,127,260	11/1978	Hickman .	

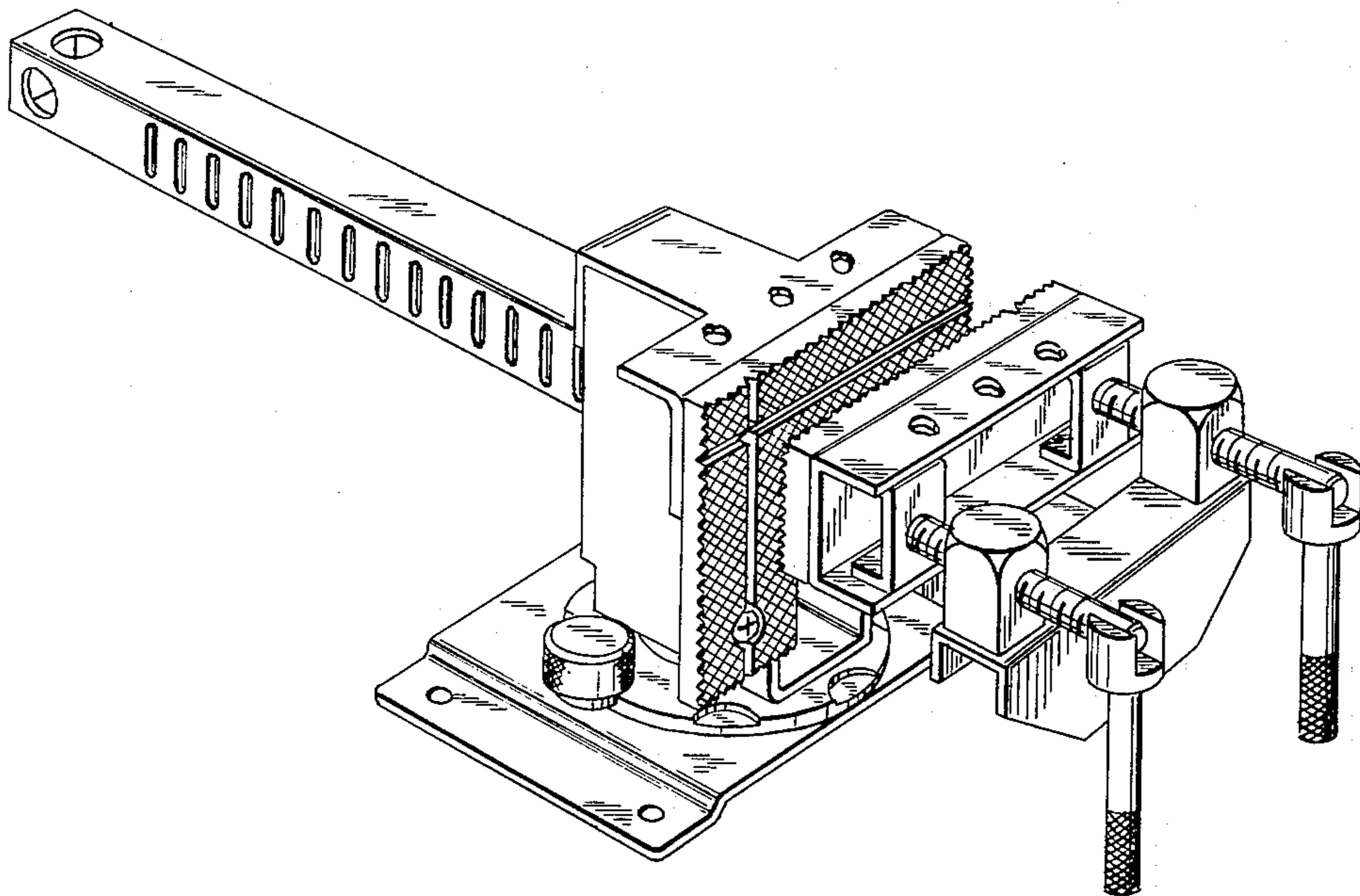


FIG. 1

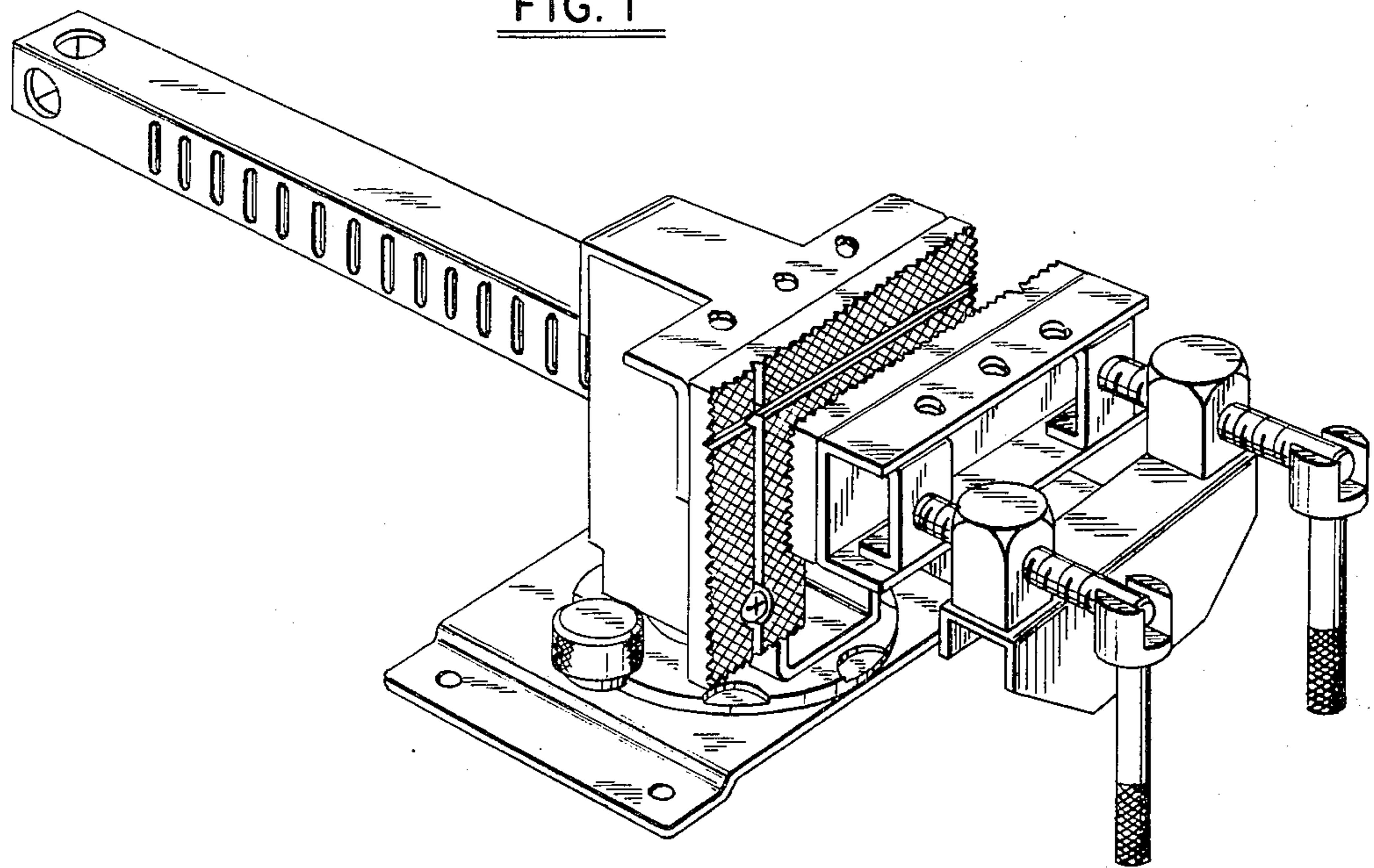


FIG. 6

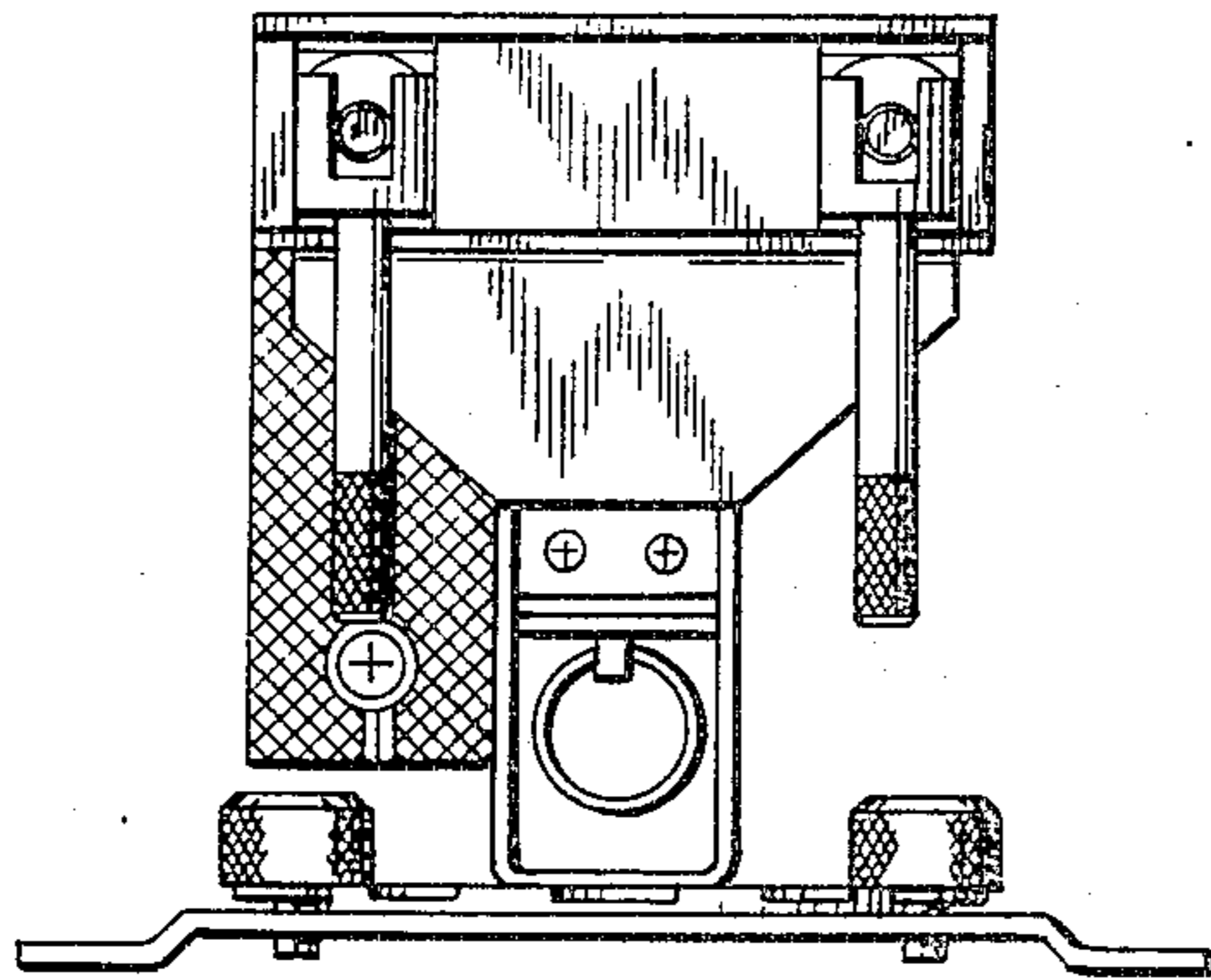
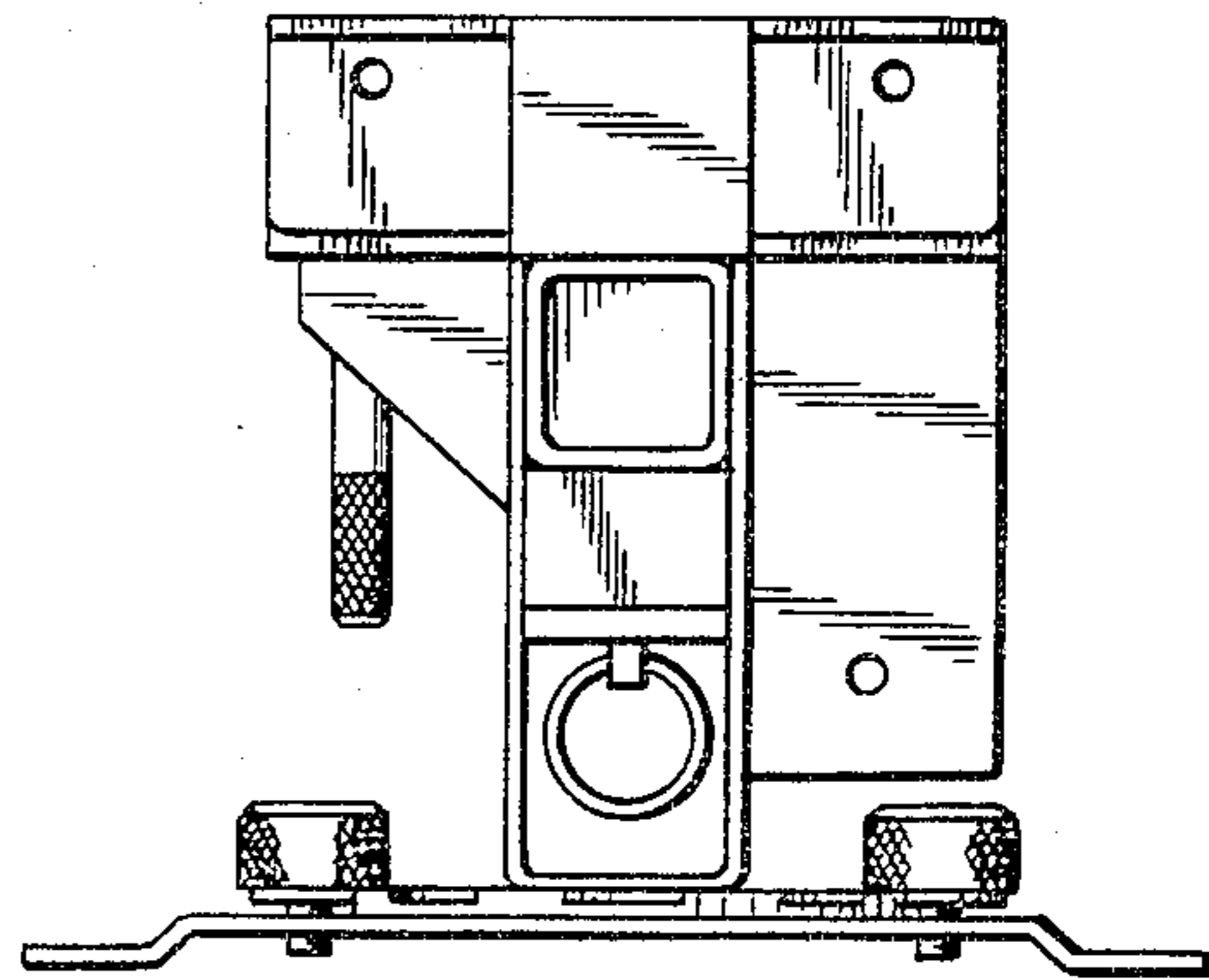


FIG. 7



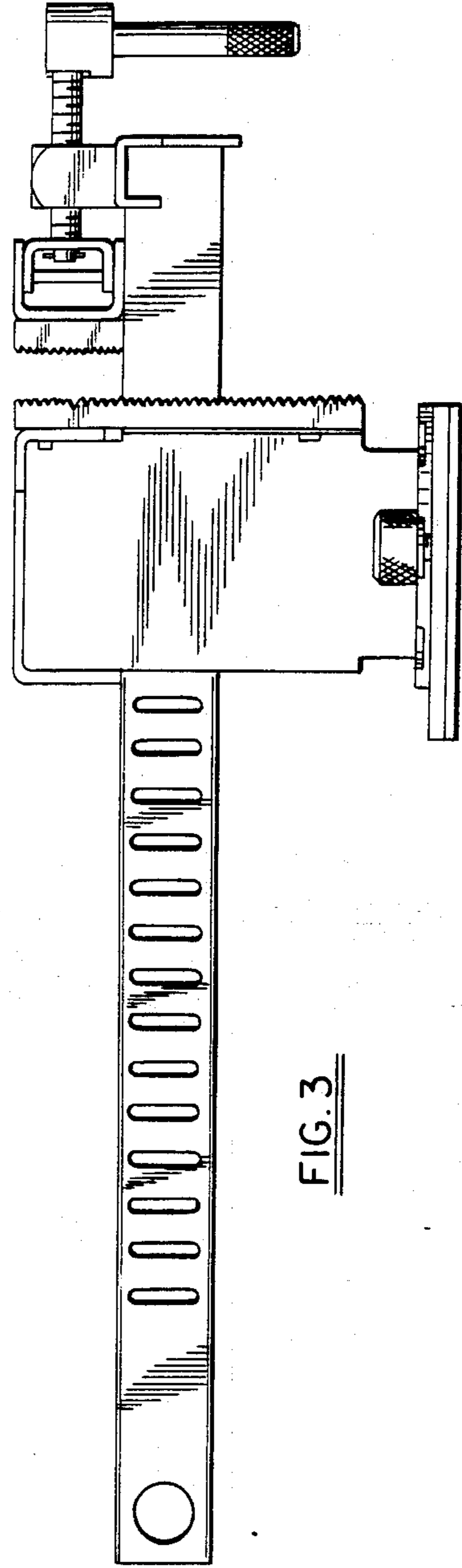
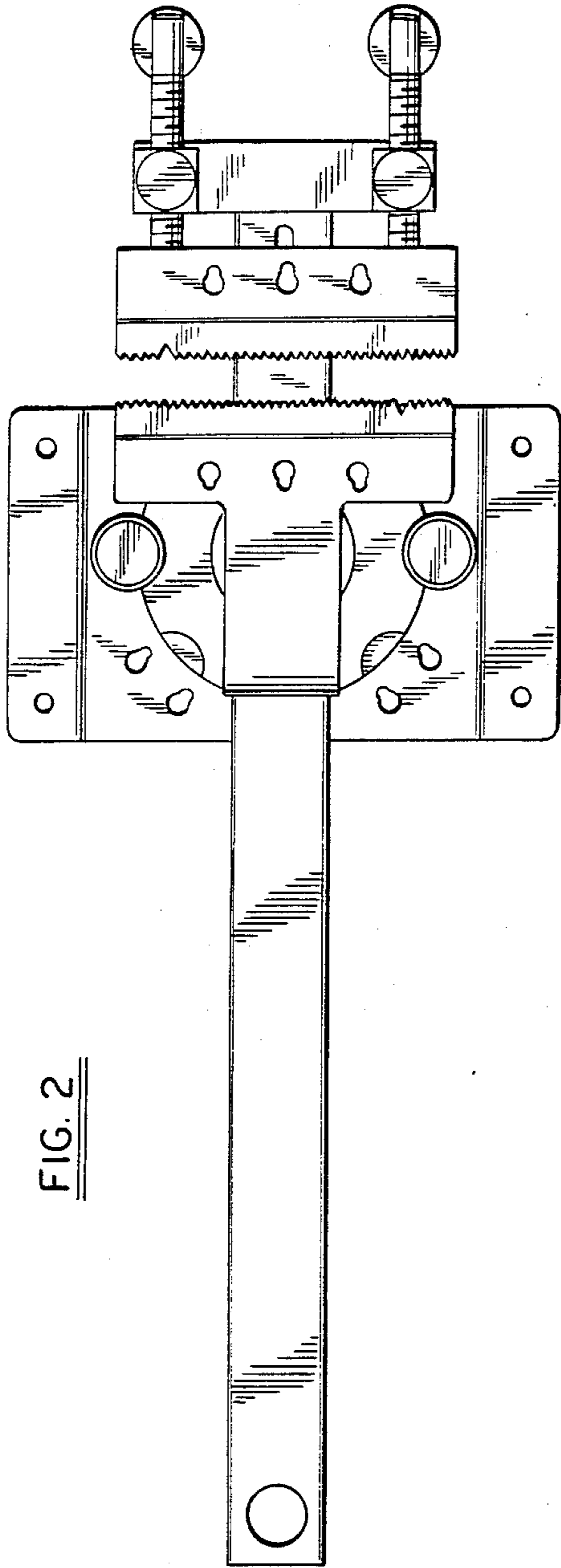


FIG. 4

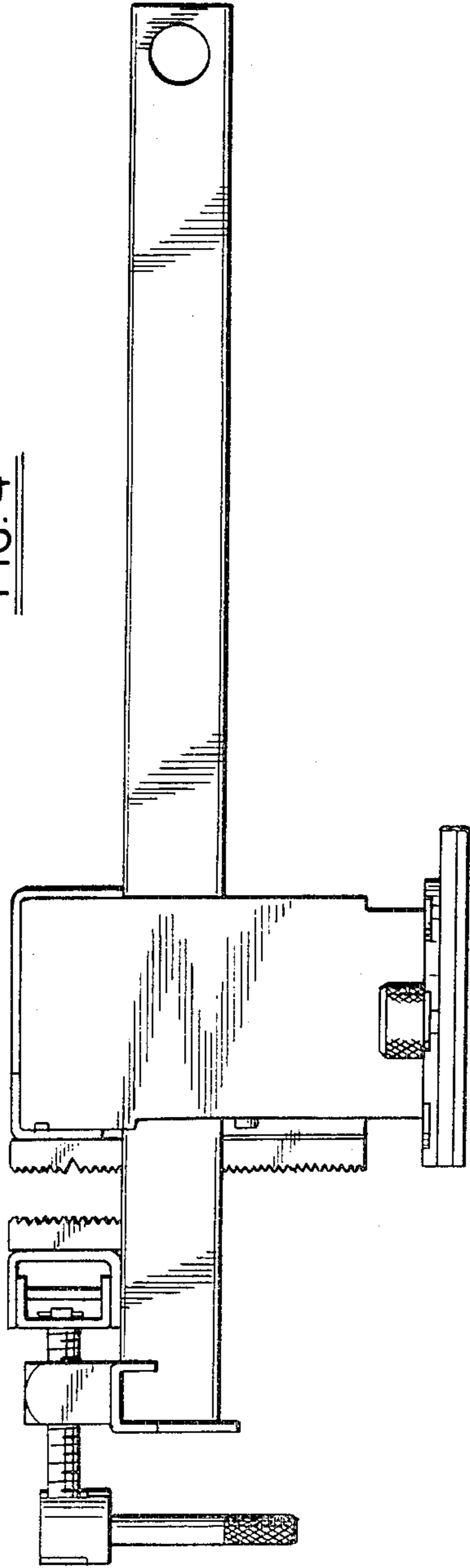


FIG. 5

