

[54] COMBINED FOOD CUTTER AND SERVER

[76] Inventor: Pak H. Leung, 95 Wai Yip St., 1/Fl., Wing Ying Ind. Bldg., Kwun Tong, Kowloon, Hong Kong

[**] Term: 14 Years

[21] Appl. No.: 651,265

[22] Filed: Sep. 17, 1984

[30] Foreign Application Priority Data

Jul. 23, 1984 [GB] United Kingdom 1021072

[52] U.S. Cl. D7/106; D7/142; D7/149

[58] Field of Search D7/106, 142, 147, 148, D7/149, 99; 30/292, 142, 353, 343

[56] References Cited

U.S. PATENT DOCUMENTS

178,273 6/1876 Coburn 30/292

D. 192,018	1/1962	McLeod	D7/142 X
D. 232,413	8/1974	Steiner	D7/106
D. 237,449	11/1975	Montesi	D7/142
3,174,223	3/1965	Gerson	30/142
3,711,945	1/1973	Cronheim	30/142
4,423,551	1/1984	Chmela et al.	30/142

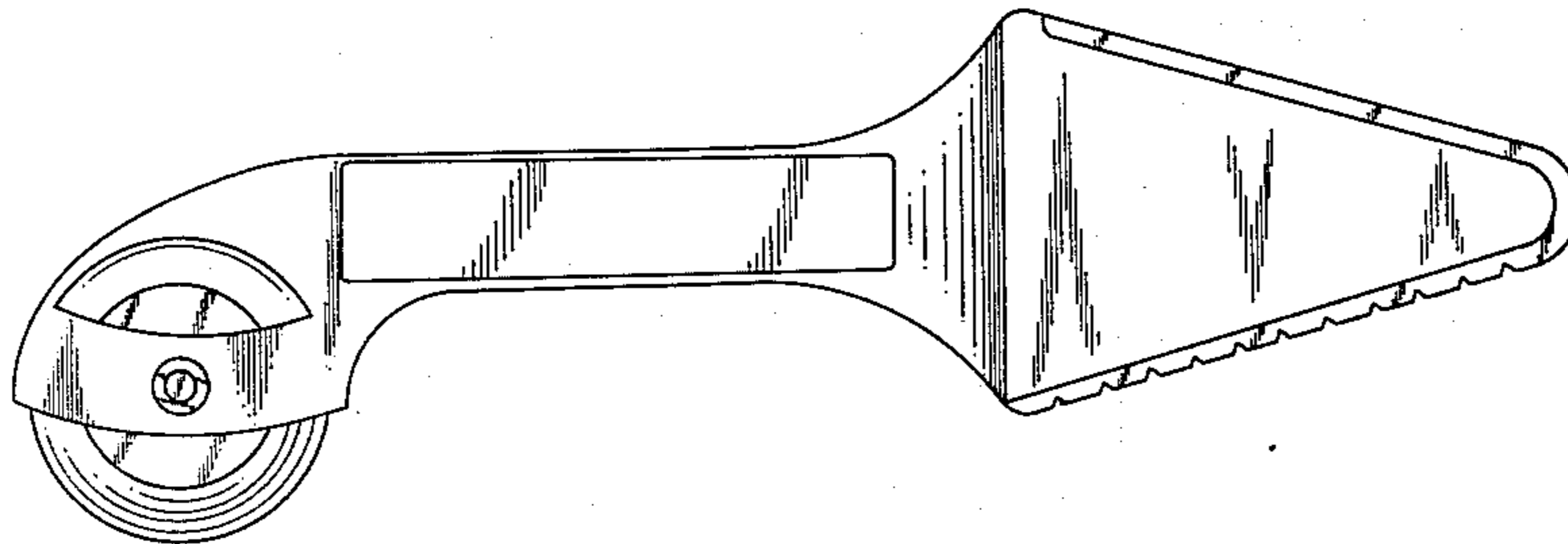
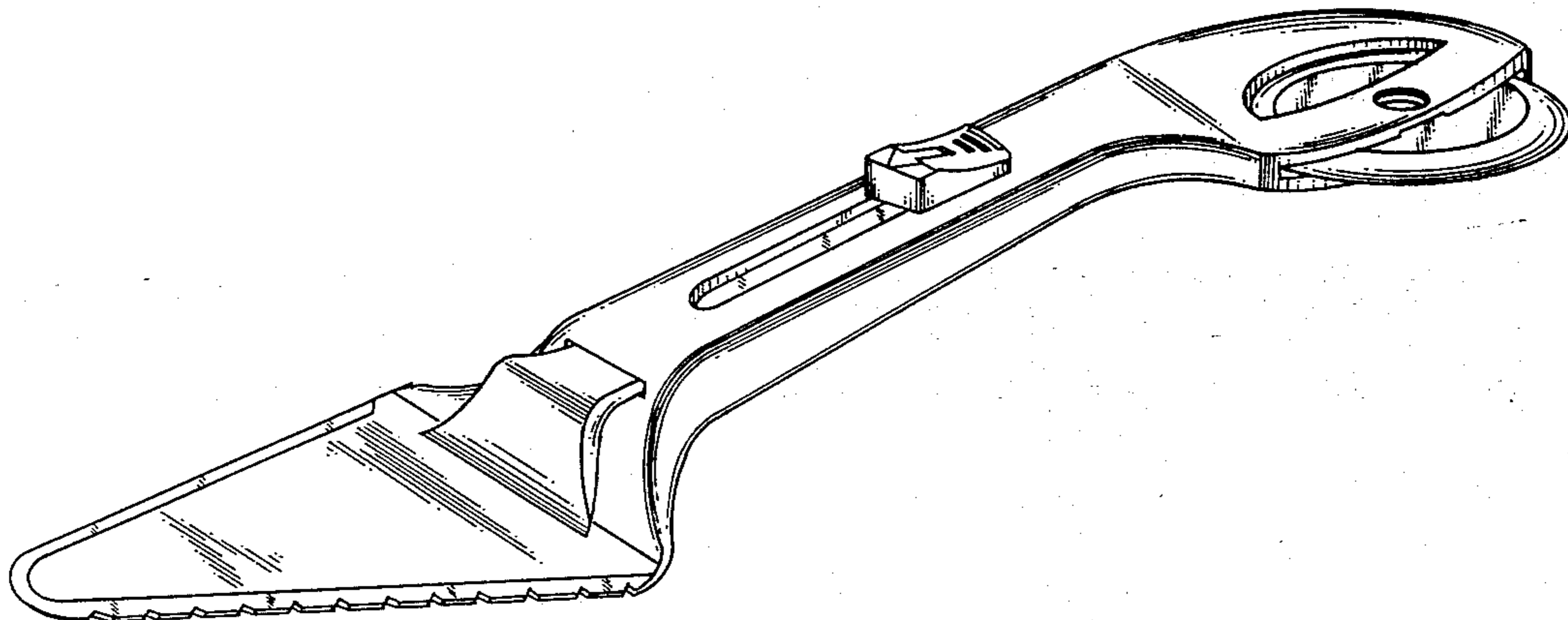
Primary Examiner—Winifred E. Herrmann
Attorney, Agent, or Firm—Holman & Stern

[57] CLAIM

The ornamental design for a combined food cutter and server, as shown and described.

DESCRIPTION

FIG. 1 is a top, right side perspective view of a combined food cutter and server showing my new design; FIG. 2 is a top plan view thereof; FIG. 3 is a right side elevational view thereof; FIG. 4 is a bottom plan view thereof; FIG. 5 is a left side elevational view; and FIG. 6 is a perspective view thereof similar to FIG. 1 with the food ejector in another position.



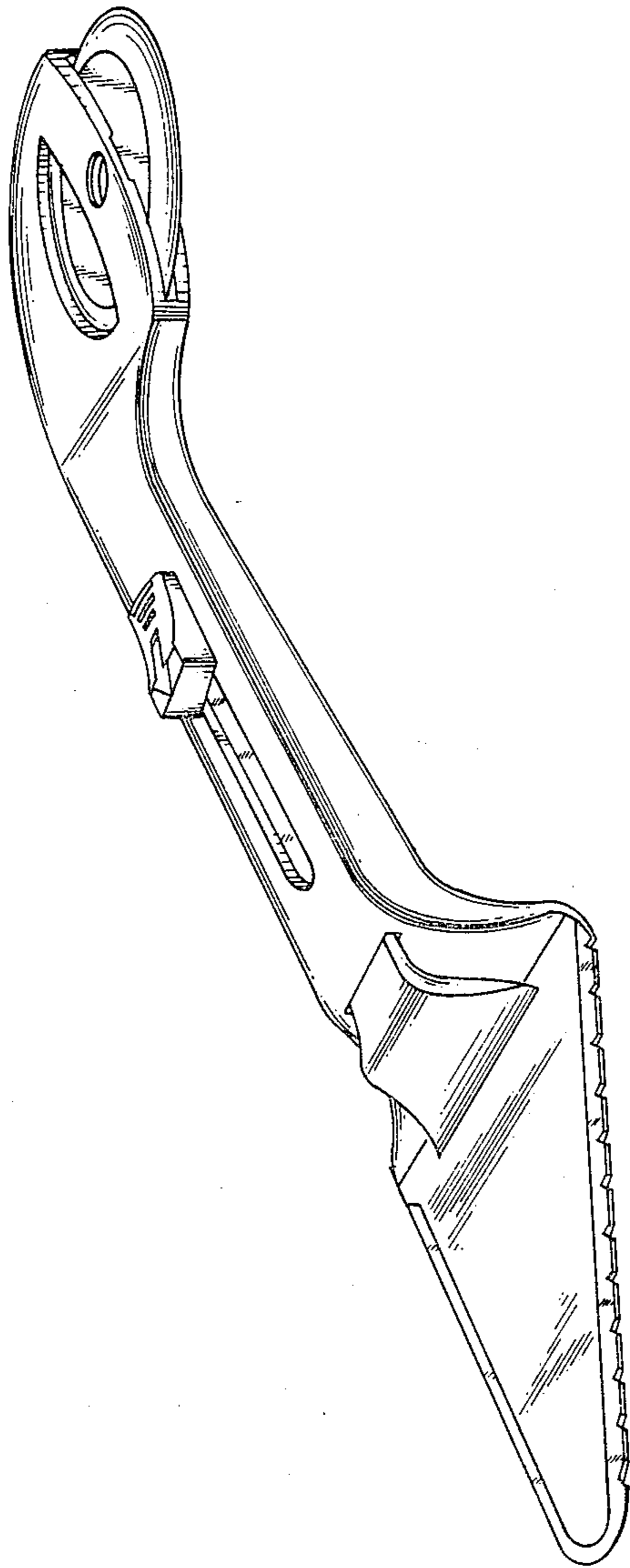


FIG. 1

FIG. 2

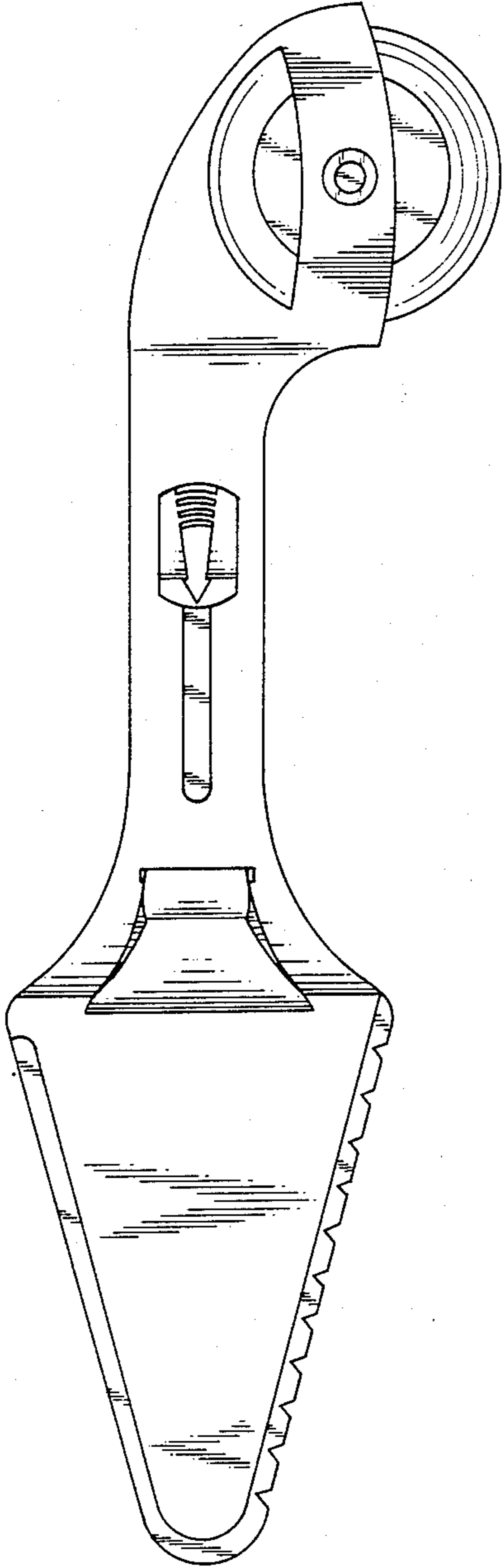


FIG. 3

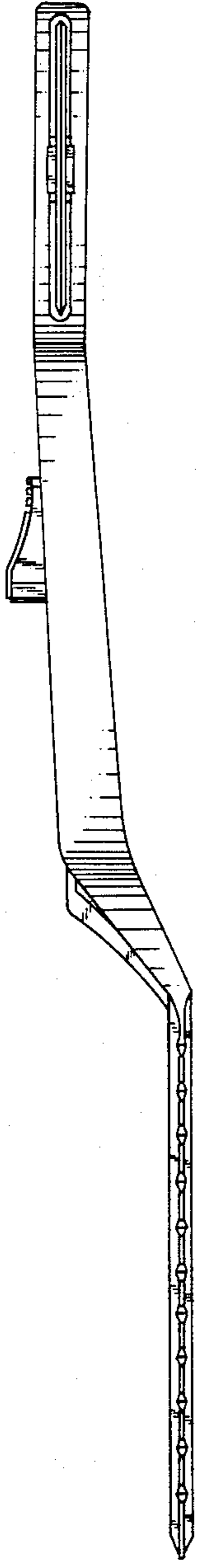


FIG. 4

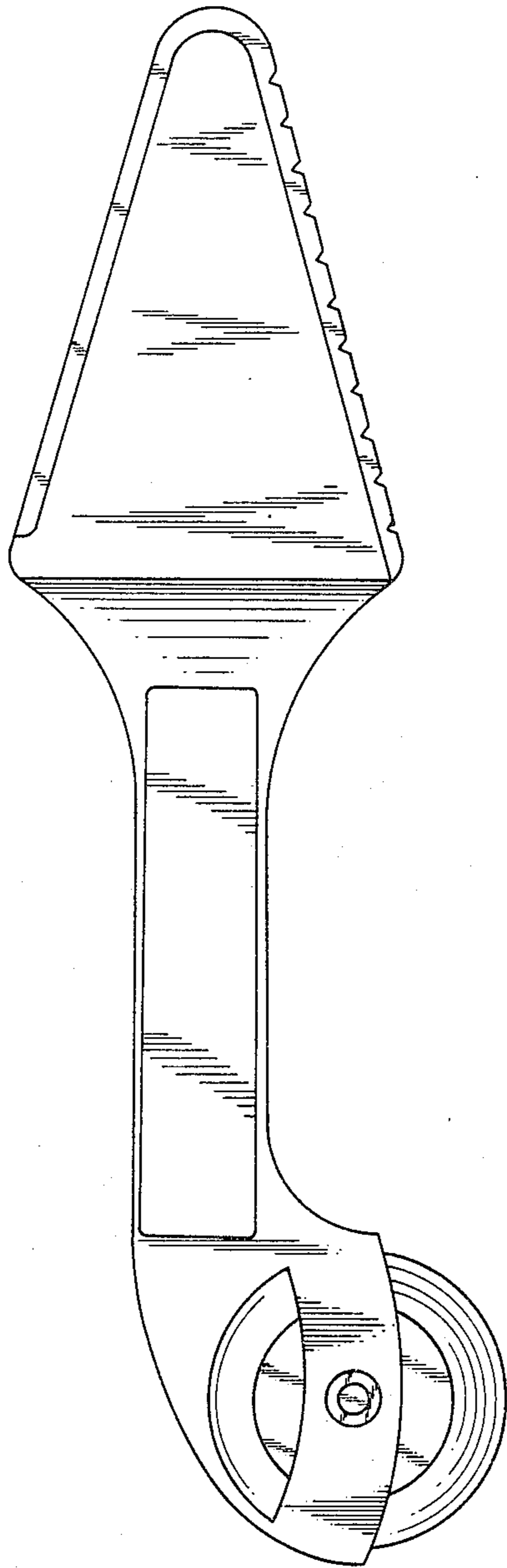


FIG. 5

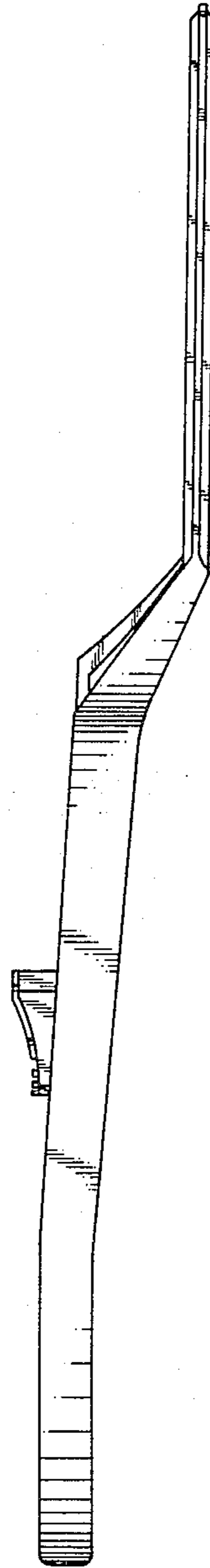
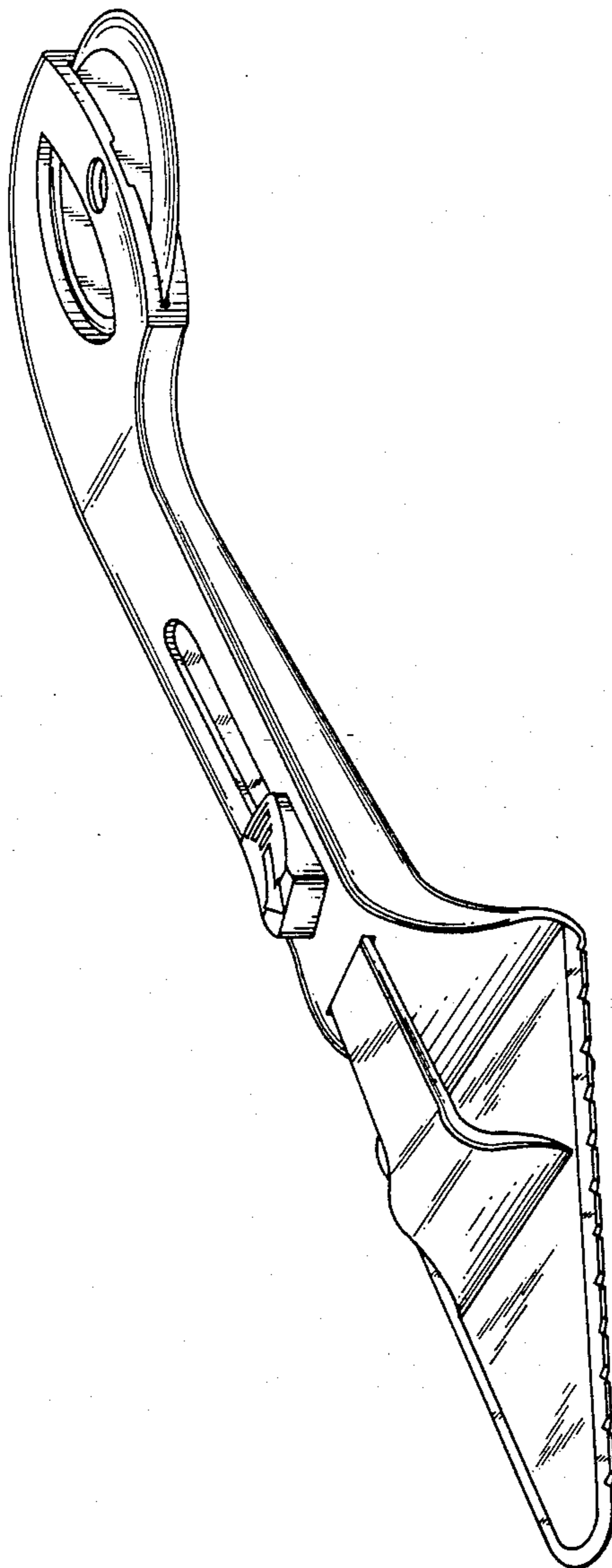


FIG. 6



UNITED STATES PATENT AND TRADEMARK OFFICE
CERTIFICATE OF CORRECTION

PATENT NO. : Des. 286,608

DATED : November 11, 1986

INVENTOR(S) : Pak Hoi Leung

It is certified that error appears in the above-identified patent and that said Letters Patent is hereby corrected as shown below:

On the Title Page,

Item 76, change address of inventor to:

-- 3/F., Unit 3-4
Yuen Fat Industrial Bldg.
25 Wan Chiu Road
Kowloon Bay
Kowloon, Hong Kong -- .

**Signed and Sealed this
Fifth Day of September, 1989**

Attest:

DONALD J. QUIGG

Attesting Officer

Commissioner of Patents and Trademarks