

[54] PEPPER MILL

[75] Inventor: Tom David, Nantucket Island, Mass.

[73] Assignee: Tom David, Inc., Nantucket Island, Mass.

[\*\*] Term: 14 Years

[21] Appl. No.: 575,990

[22] Filed: Feb. 1, 1984

[52] U.S. Cl. .... D7/53

[58] Field of Search ..... D7/53, 52, 57, 58, 372, D7/373; D9/352, 337; 241/169, 169.1; 222/142.1-142.9

[56] References Cited

U.S. PATENT DOCUMENTS

- D. 96,679 8/1935 Kopf ..... D7/372
- D. 183,596 9/1958 Bowland ..... D7/372
- 885,504 4/1908 Muszar ..... 241/168 X
- 1,749,853 3/1930 Smith ..... 222/142.5 X

- 1,954,719 4/1934 Vendel ..... 222/142.4
- 2,934,242 4/1960 Lykes ..... 222/142.4

Primary Examiner—Bernard Ansher  
Assistant Examiner—Terry Pfeffer  
Attorney, Agent, or Firm—Spencer & Frank

[57] CLAIM

The ornamental design for a pepper mill, as shown and described.

DESCRIPTION

FIG. 1 is a top plan view of a pepper mill showing my new design;  
 FIG. 2 is a side elevational view thereof as seen in the direction of arrow II in FIG. 1;  
 FIG. 3 is a side elevational view thereof as seen in the direction of arrow III in FIG. 1;  
 FIG. 4 is a side elevational view thereof as seen in the direction of arrow IV in FIG. 1.  
 The non-illustrated bottom face of the pepper mill is planar and unornamented.

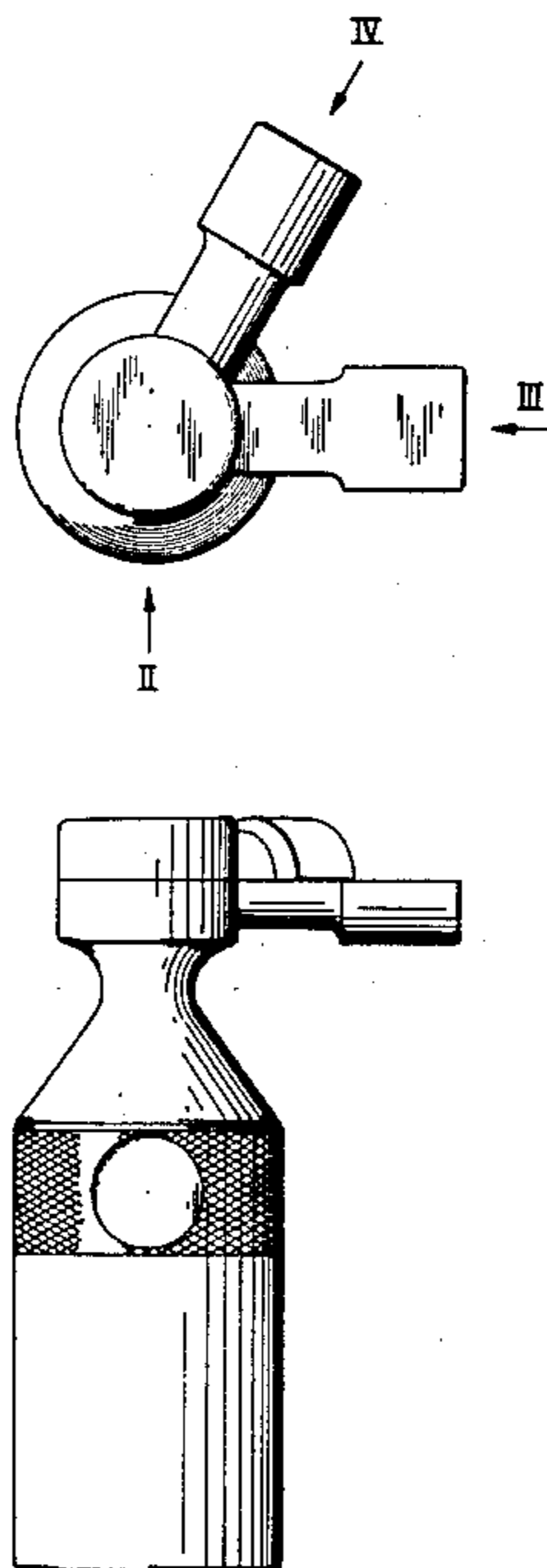


FIG. 1

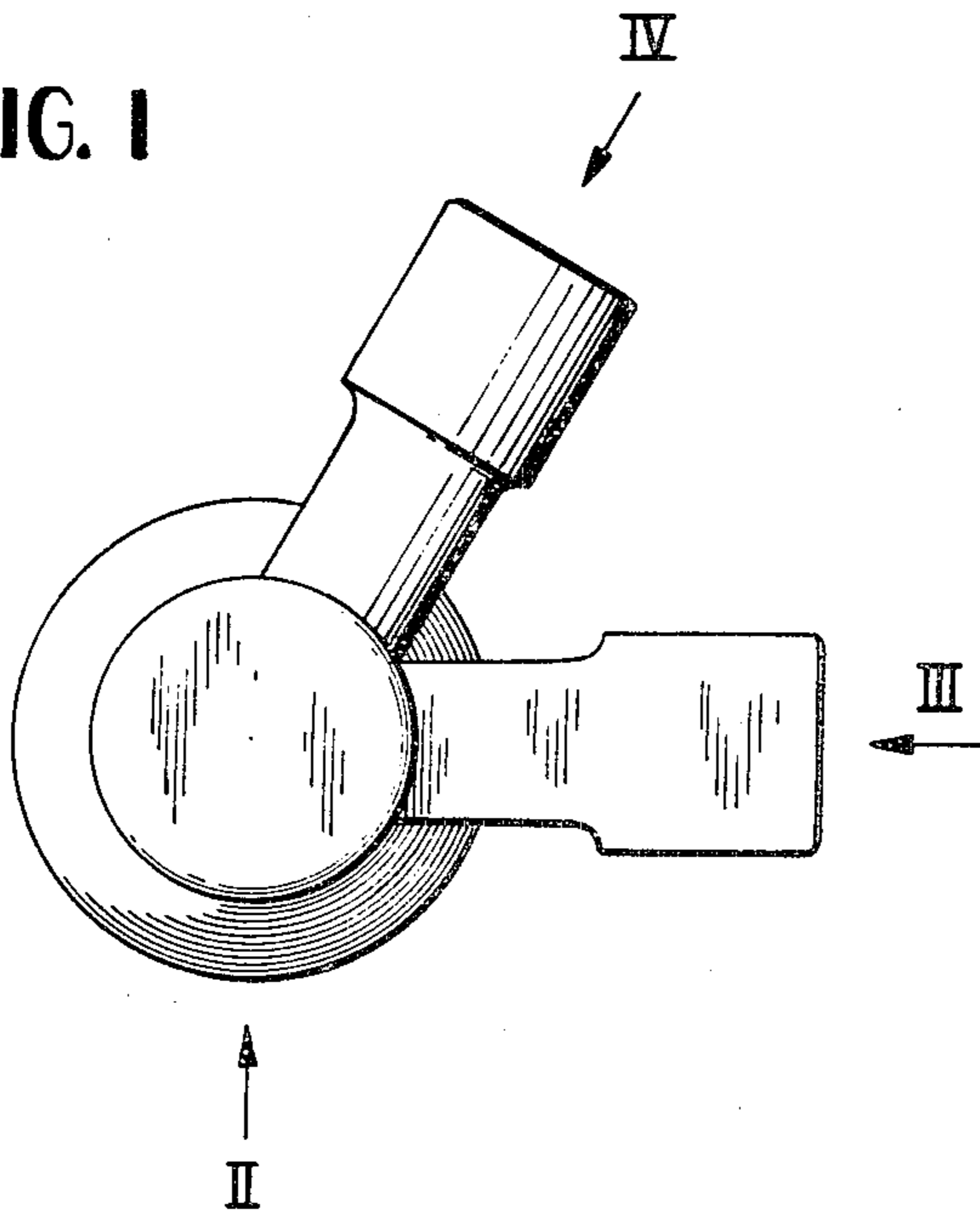


FIG. 2

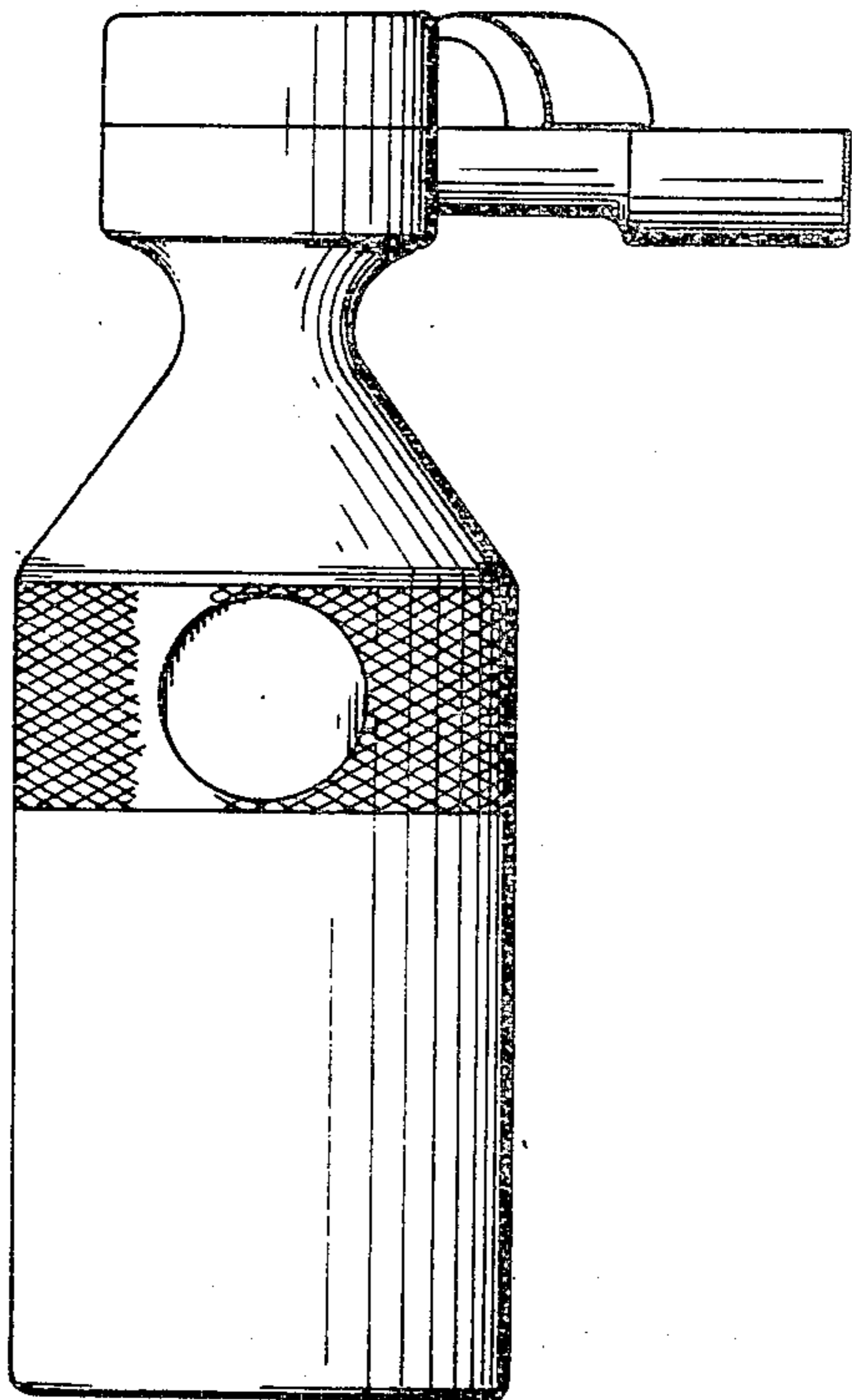


FIG. 3

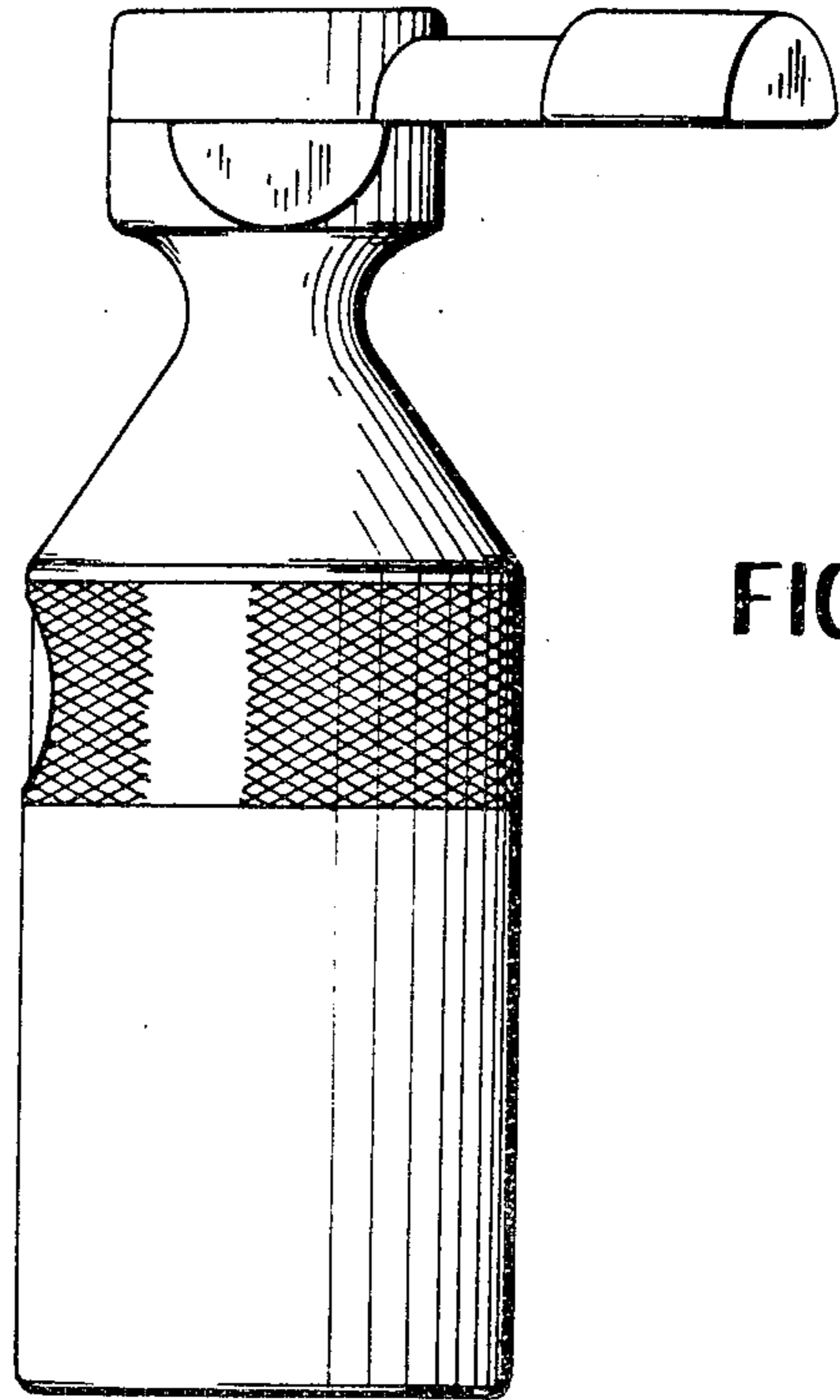


FIG. 4

