

[54] TUREEN

[75] Inventor: Carl J. Broere, Hilversum, Netherlands

[73] Assignee: Berk-Becon B.V., Doetinchem, Netherlands

[\*\*] Term: 14 Years

[21] Appl. No.: 648,806

[22] Filed: Sep. 7, 1984

[30] Foreign Application Priority Data

Mar. 12, 1984 [XB] Benelux ..... 58.808-02

[52] U.S. Cl. .... D7/17; D7/360

[58] Field of Search ..... D7/16, 17, 18, 40, 360, D7/354

[56] References Cited

U.S. PATENT DOCUMENTS

- D. 91,352 1/1934 Christman ..... D6/360
- D. 173,843 1/1955 Guild ..... D7/17
- D. 252,311 7/1979 Prussi ..... D7/17 X

OTHER PUBLICATIONS

*House Wares Review*, 8-1963, p. 67, panel #1 at top left "Porcelain-Aluminum Casseroles" 3 sizes.

*Bloomington's Buy Ways Home Edition #2*, p. 10, Asta Linear Cookware, Covered Casserole "A", top left.

*Idea 55*, ©1955 TS149I3 by Verlag Gerd Hatje/Germany, p. 5, lower panel—#8 Heinz Loffelhardt 1954—Dinner Service "Arzberg 2000"—Covered Bowls.

*Primary Examiner*—Winifred E. Herrmann

*Attorney, Agent, or Firm*—Abelman Frayne Rezac & Schwab

[57] CLAIM

The ornamental design for a tureen, as shown and described.

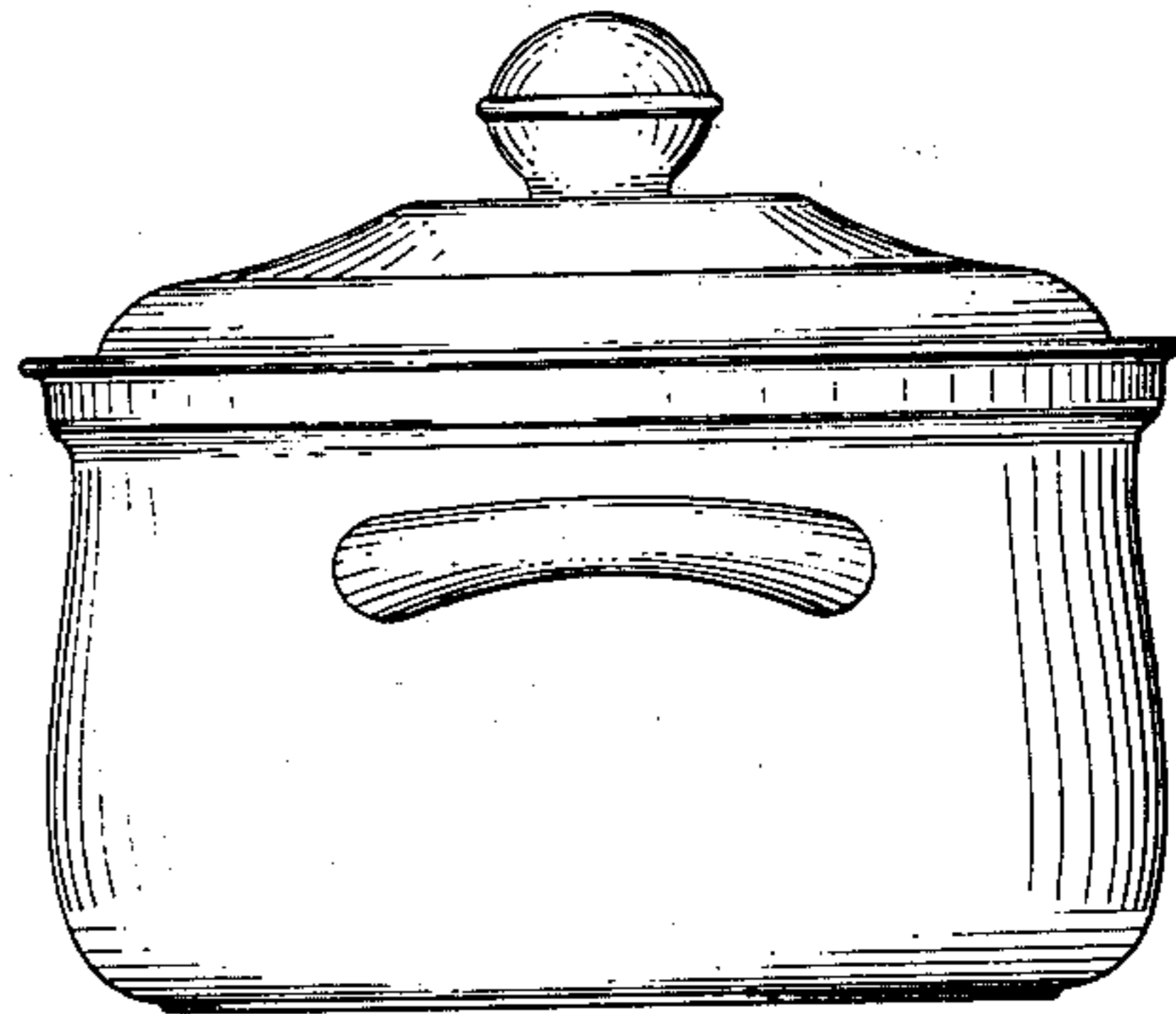
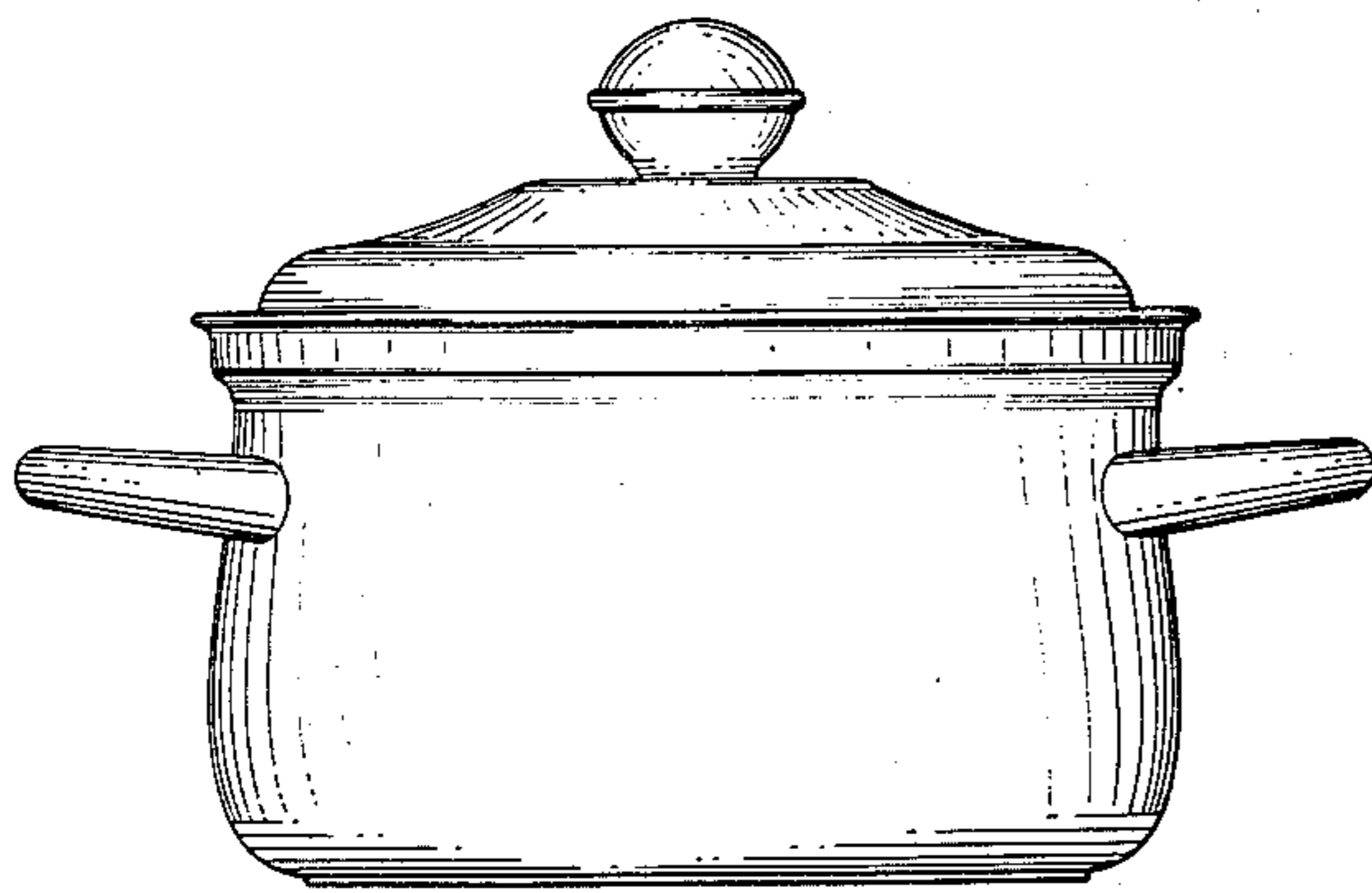
DESCRIPTION

FIG. 1 is a top plan view of a tureen showing my new design;

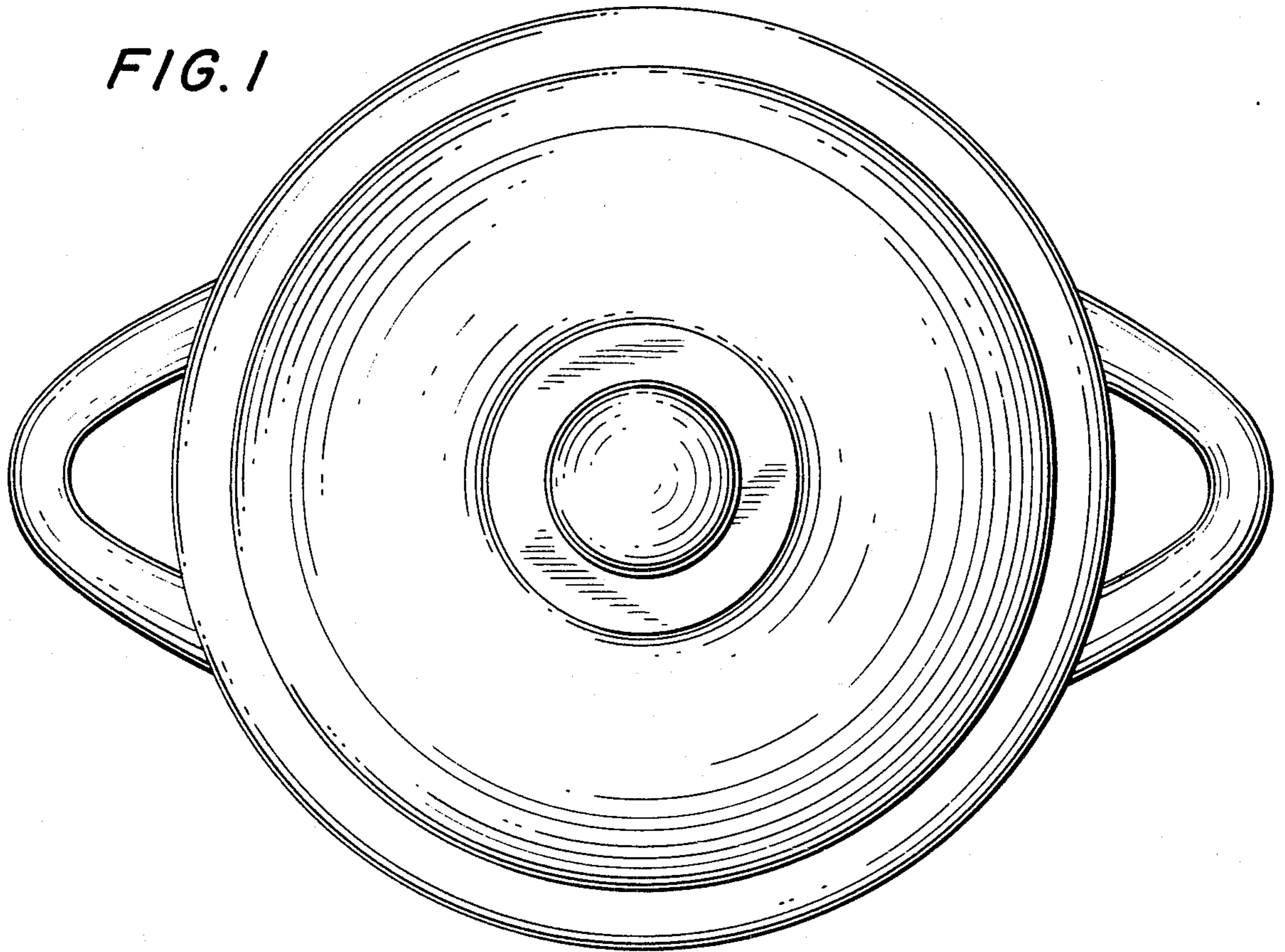
FIG. 2 is a front elevational view thereof, the rear view is identical thereto;

FIG. 3 is a side elevational view thereof, the side opposite is identical thereto; and,

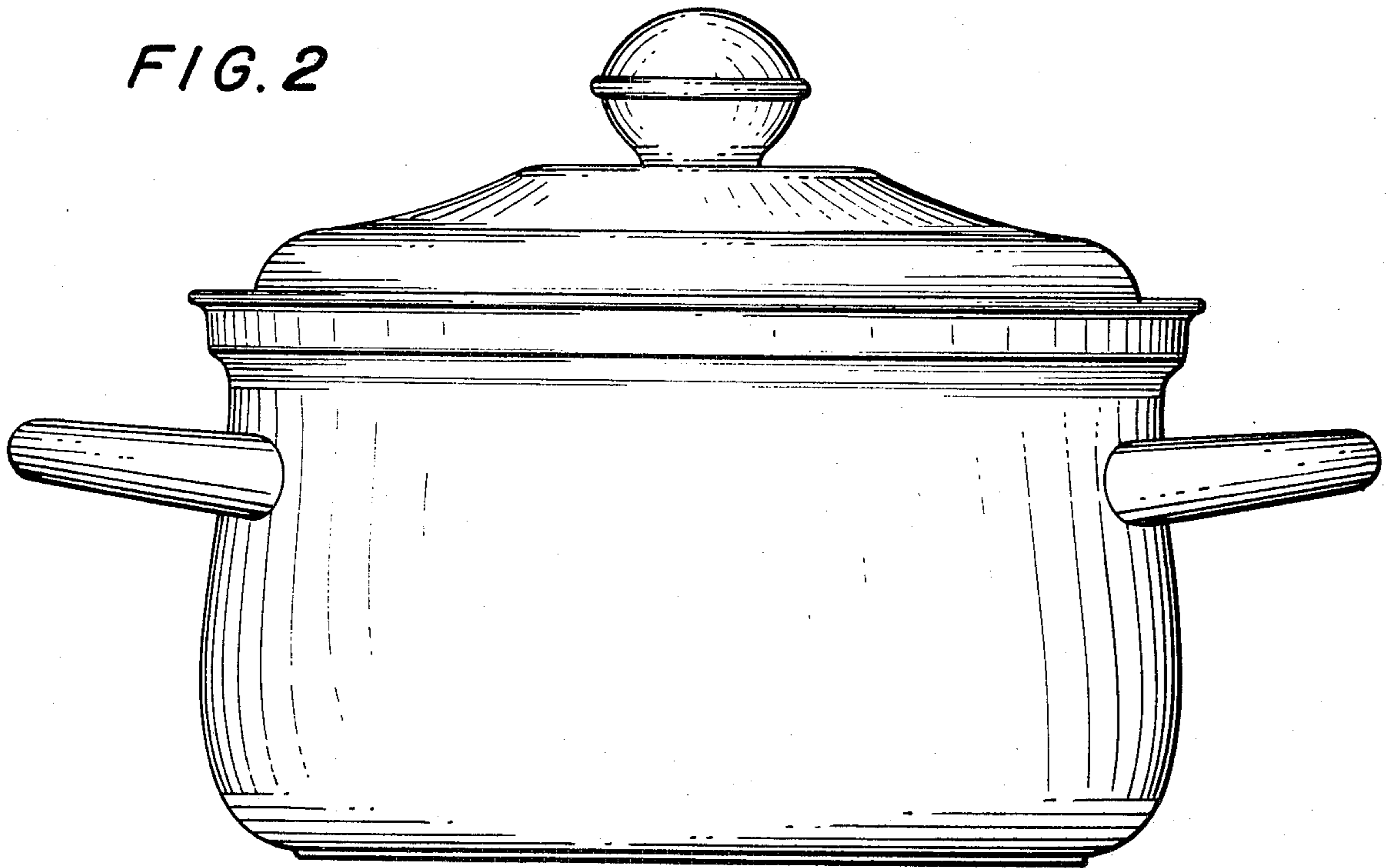
FIG. 4 is a bottom plan view thereof.



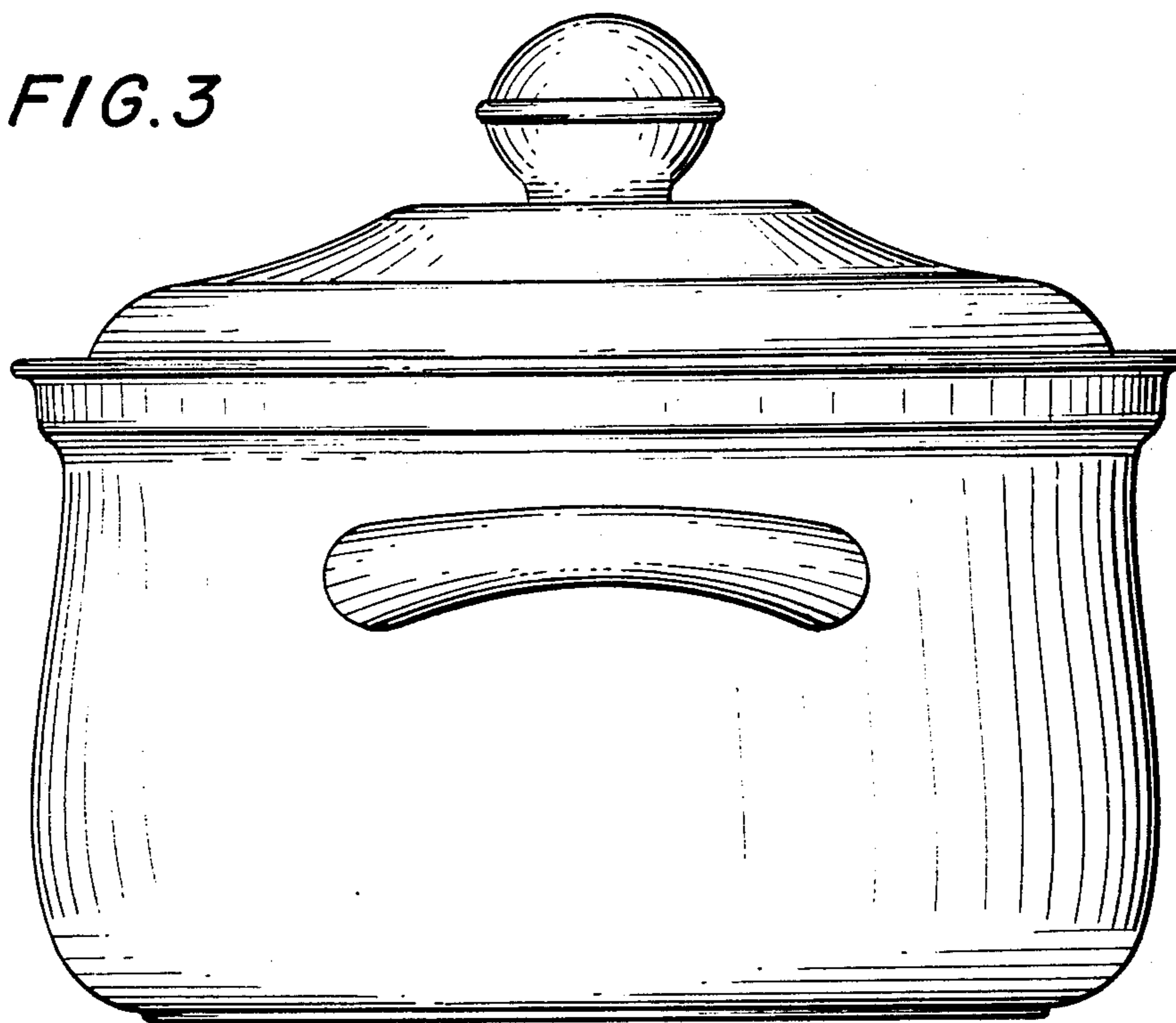
*FIG. 1*



*FIG. 2*



*FIG. 3*



*FIG. 4*

