

[54] CADDY FOR A SHOWER OR BATH TUB

[76] Inventor: Howard Sussman, 3101 NW. 25th St., Pompano Beach, Fla. 33060

[**] Term: 14 Years

[21] Appl. No.: 621,163

[22] Filed: Jun. 15, 1984

[52] U.S. Cl. D6/525

[58] Field of Search D6/512, 513, 514, 524, D6/525, 532, 566, 540; 211/71, 74, 88, 113, 126, 128, 133; 248/314, 339, 340; 206/77.1, 581; 4/596, 597, 605, 191; 108/42

[56] References Cited

U.S. PATENT DOCUMENTS

D. 242,588	12/1976	Hewak	D6/540
D. 247,013	1/1978	Chapman	D6/566
D. 250,439	12/1978	Holstein	D6/525
D. 251,522	4/1979	Chapman	D6/525
D. 264,158	5/1982	Thompson	D6/525
3,834,782	9/1974	Pampinella	D6/525
4,541,131	9/1985	Sussman	211/113

OTHER PUBLICATIONS

The Plastic Showcase, 9/1985, p. 8B, Shower Caddy.

Primary Examiner—Wallace R. Burke

Assistant Examiner—Suzanne N. Gitlin

Attorney, Agent, or Firm—Ronald A. Sandler; Jerry A. Schulman; Timothy T. Patula

[57] CLAIM

The ornamental design for a caddy for a shower or bath tub, as shown and described.

DESCRIPTION

FIG. 1 is an isometric view of a caddy for a shower or bath tub showing my new design, the shower head shown in broken lines is for illustrative purposes only; FIG. 2 is an isometric view thereof shown in alternate condition;

FIG. 3 is a slightly enlarged front elevational view thereof;

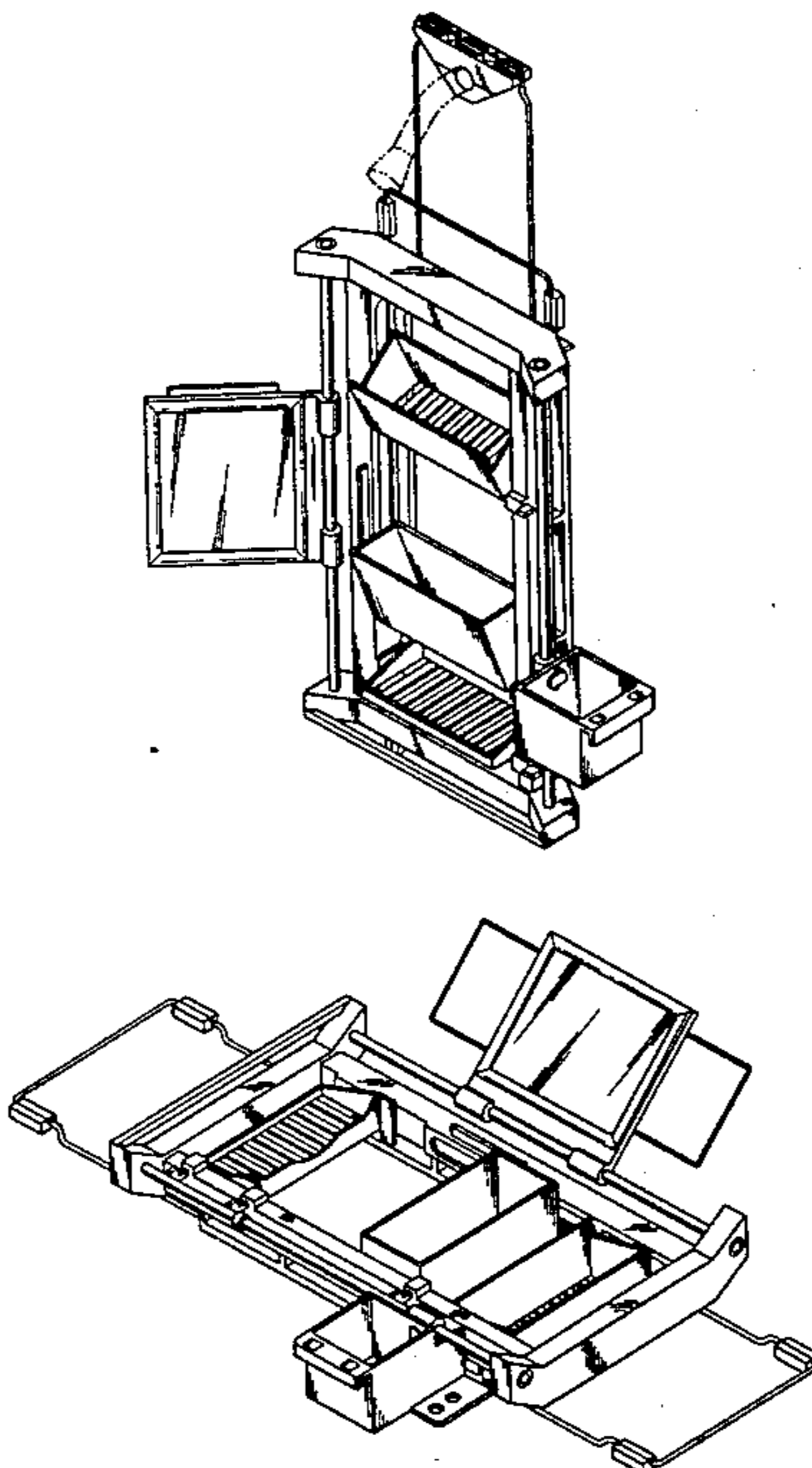
FIG. 4 is a slightly enlarged side elevational view taken from the left of FIG. 1;

FIG. 5 is a slightly enlarged bottom plan view thereof;

FIG. 6 is a slightly enlarged top plan view thereof;

FIG. 7 is a slightly enlarged rear elevational view thereof;

FIG. 8 is a slightly enlarged side elevational view taken from the right of FIG. 1.



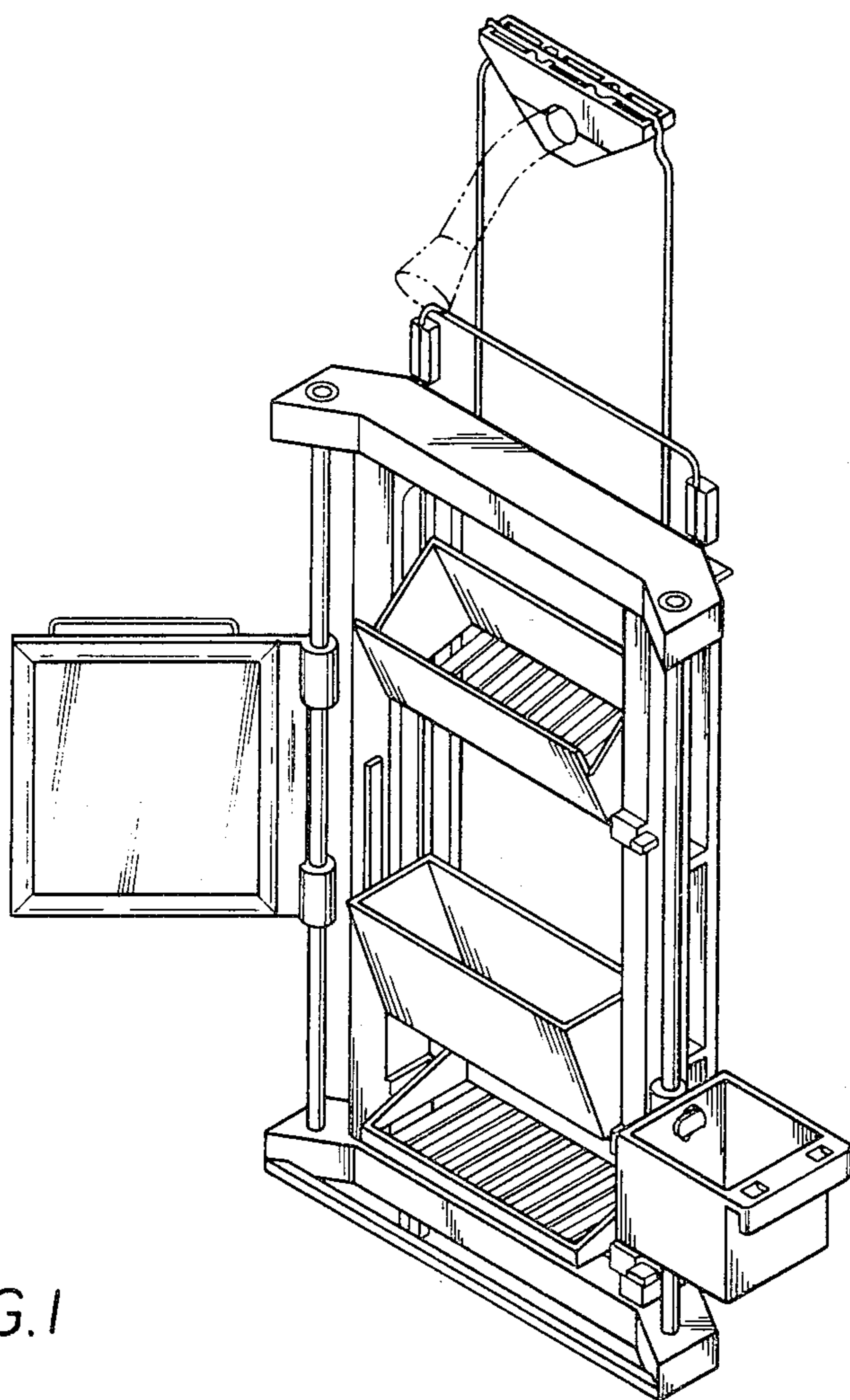


FIG. 1

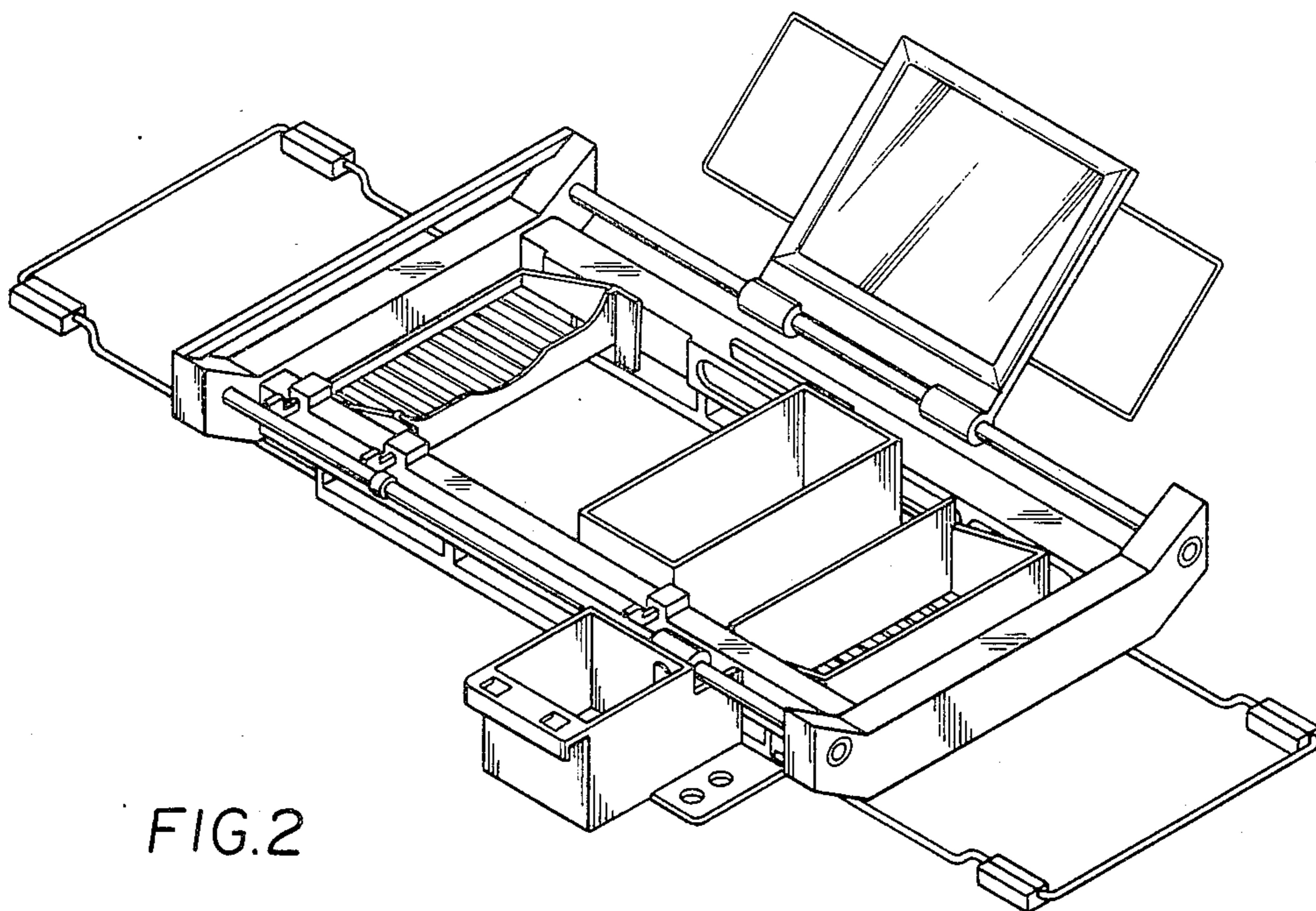


FIG. 2

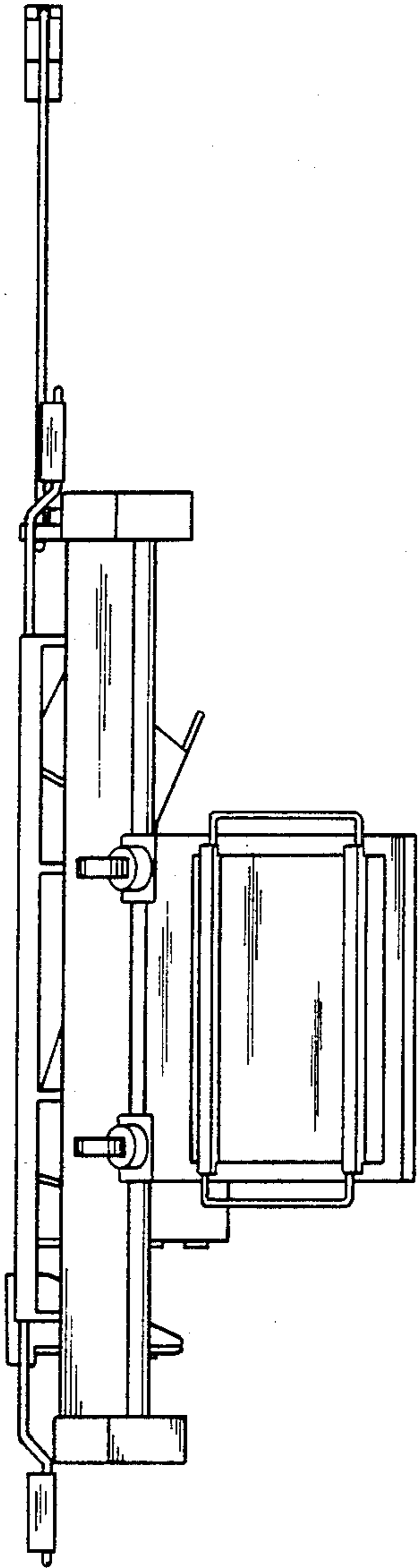


FIG. 4

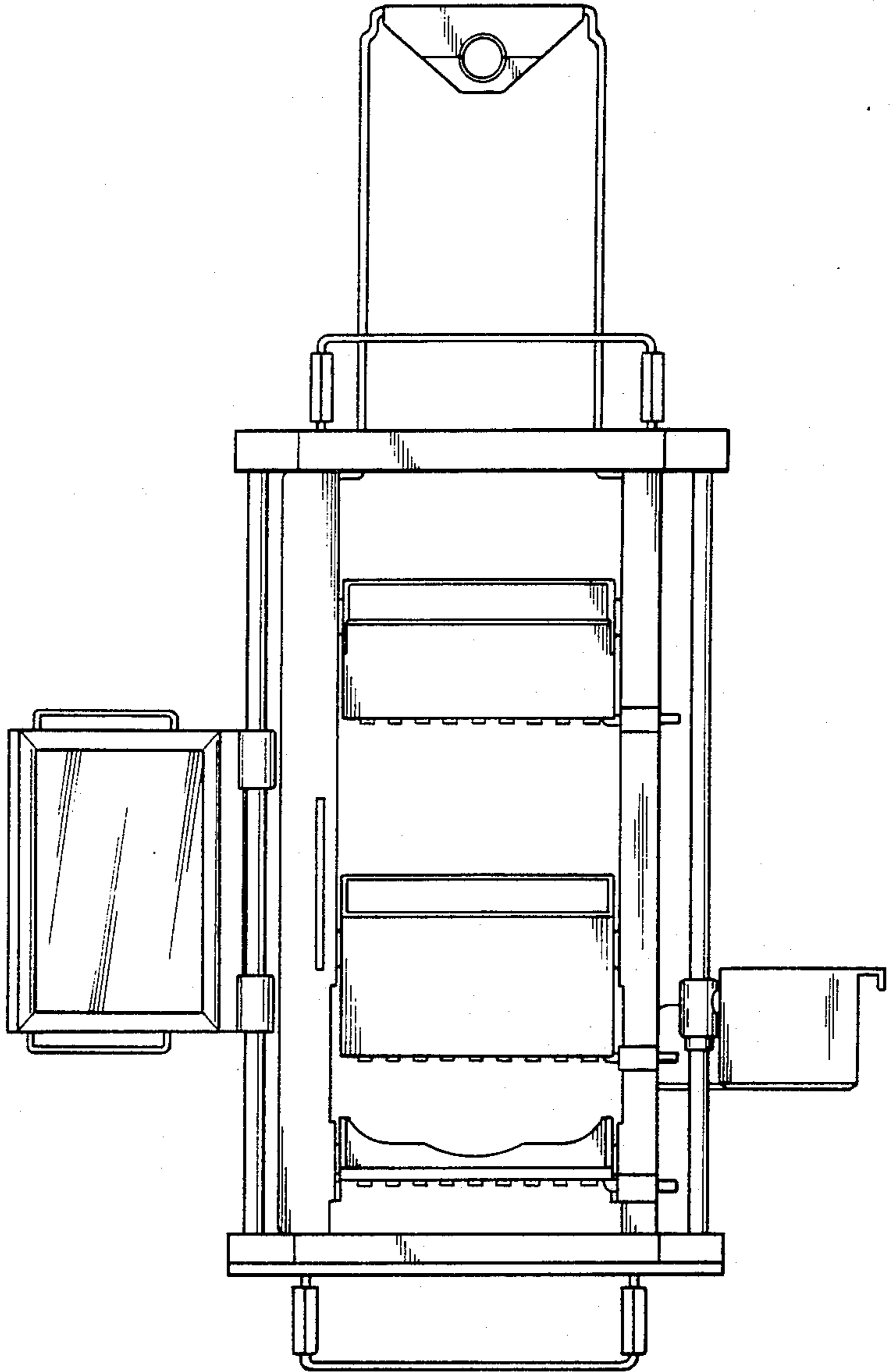


FIG. 3

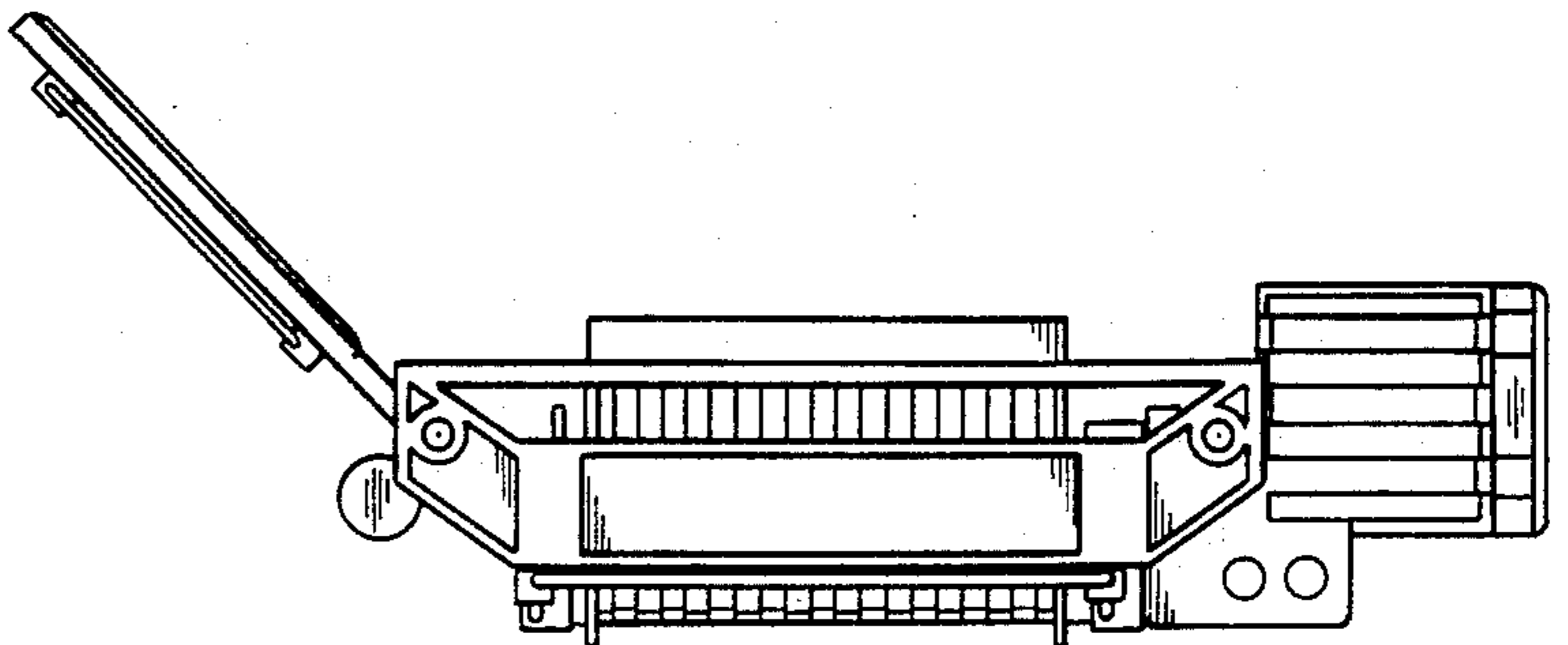


FIG. 5

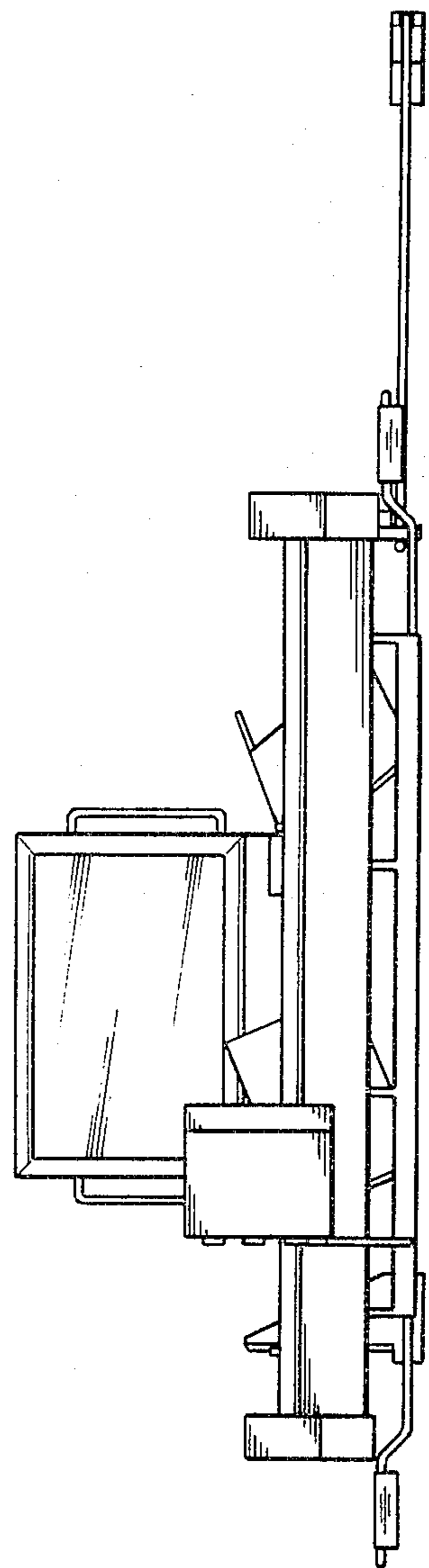
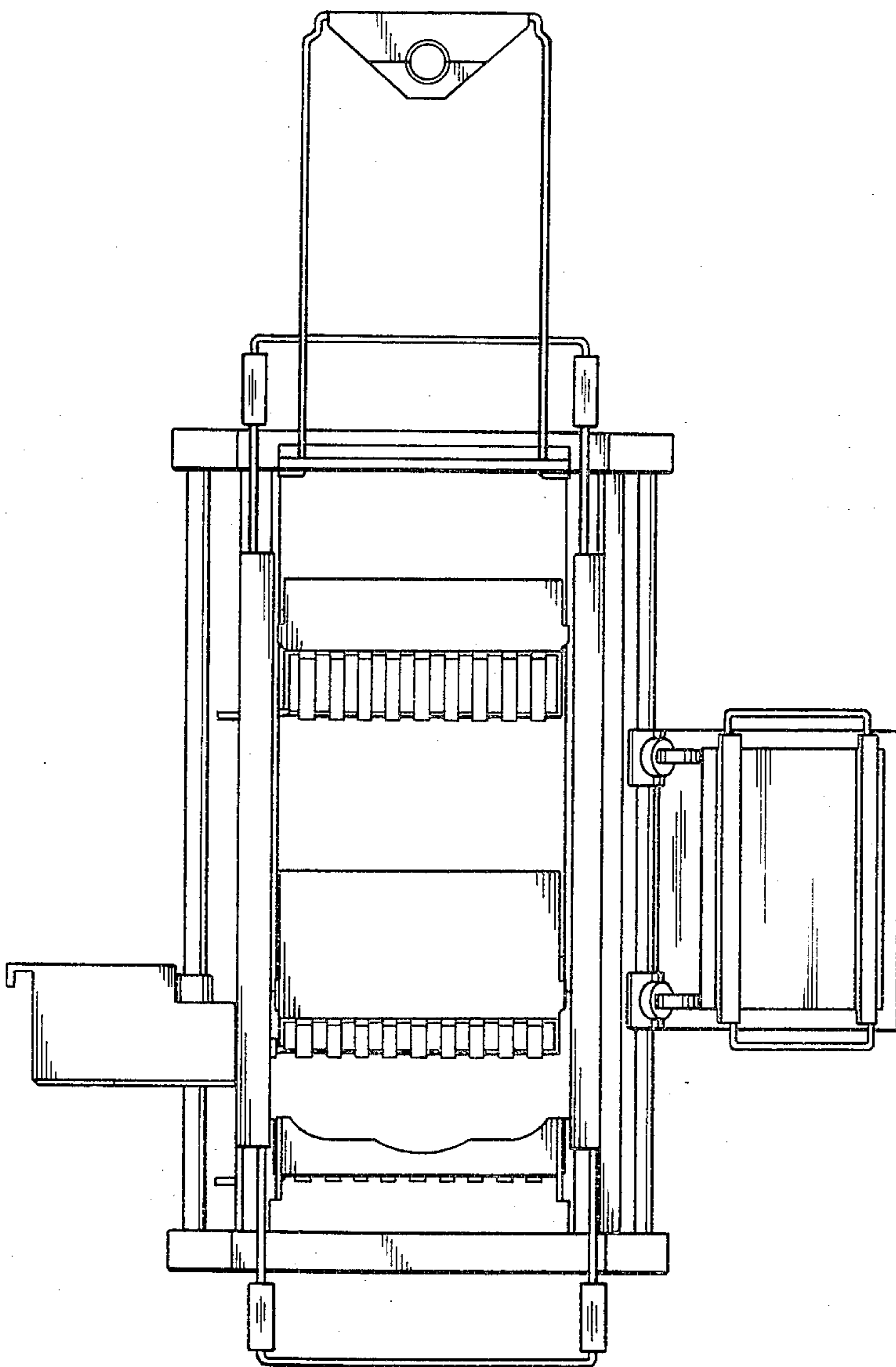
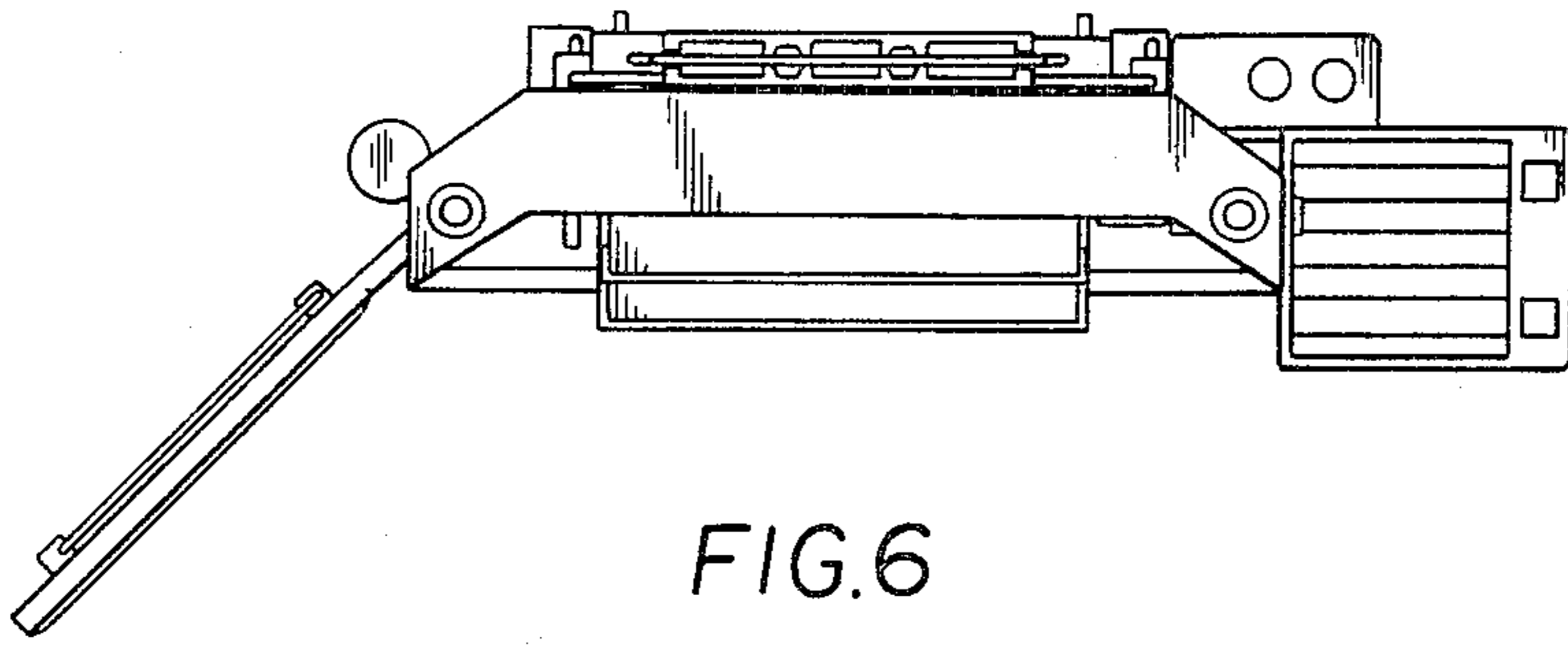


FIG. 7

FIG. 8