

[54] MODULAR DISPLAY FOR SMALL ARTICLES

2,934,214 4/1960 Mogulescu et al. 211/184 X
4,537,316 8/1985 Simon et al. 211/133

[75] Inventor: Daniel W. Leo, Sr., New York, N.Y.

Primary Examiner—Carmen H. Vales
Attorney, Agent, or Firm—Charles E. Temko

[73] Assignee: Ledan, Inc., New York, N.Y.

[**] Term: 14 Years

[57] CLAIM

[21] Appl. No.: 625,832

The ornamental design for a modular display for small articles, substantially as shown and described.

[22] Filed: Jun. 28, 1984

DESCRIPTION

[52] U.S. Cl. D6/476; D6/468

[58] Field of Search D6/449, 462, 463, 465,
D6/466, 467, 468, 473, 475, 476, 477, 479;
211/13, 133, 184, 194

FIG. 1 is a top perspective view of a modular display for small articles showing my new design;
FIG. 2 is a bottom perspective view thereof;
FIG. 3 is a left side perspective view thereof;
FIG. 4 is a cross sectional view taken along line 4—4 in FIG. 1;
FIG. 5 is a cross sectional view taken along line 5—5 in FIG. 4; and
FIG. 6 is a cross sectional view taken along line 6—6 in FIG. 5.

[56] References Cited

U.S. PATENT DOCUMENTS

- D. 103,719 3/1937 Flanagan D6/473
- D. 273,546 4/1984 Ogg, Jr. et al. D6/468
- D. 280,369 9/1985 Stevens D6/468

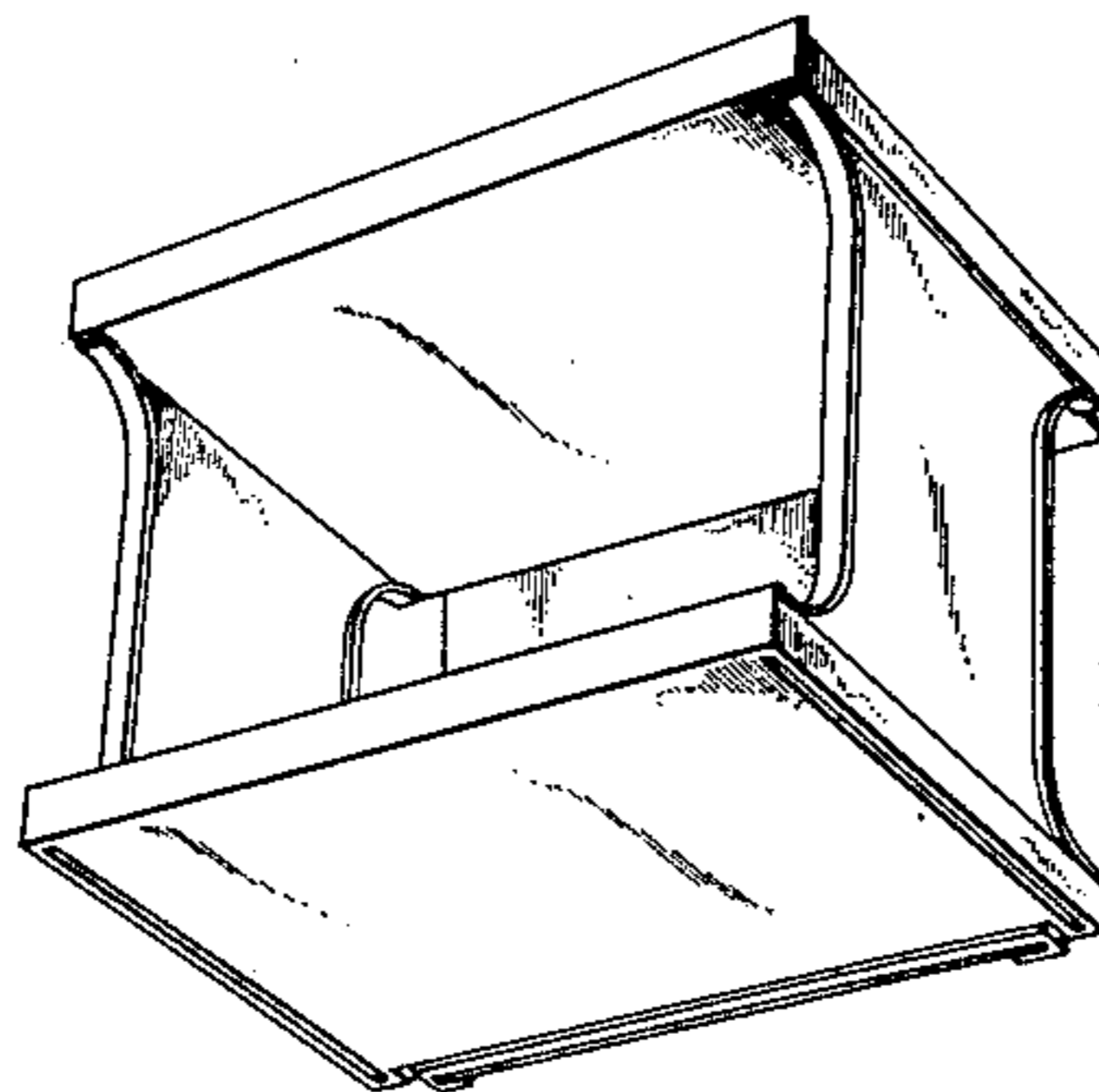
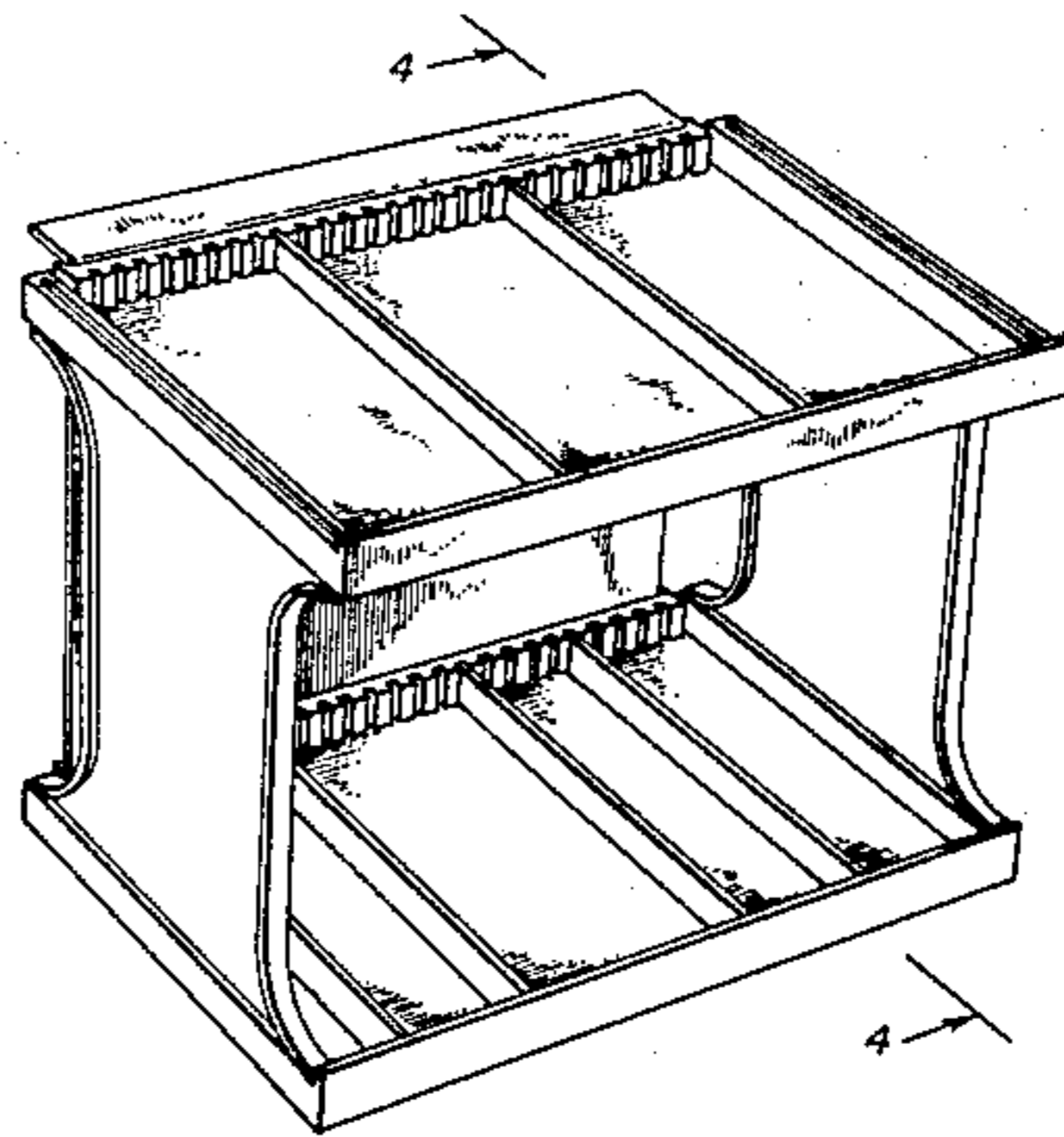


FIG. 1.

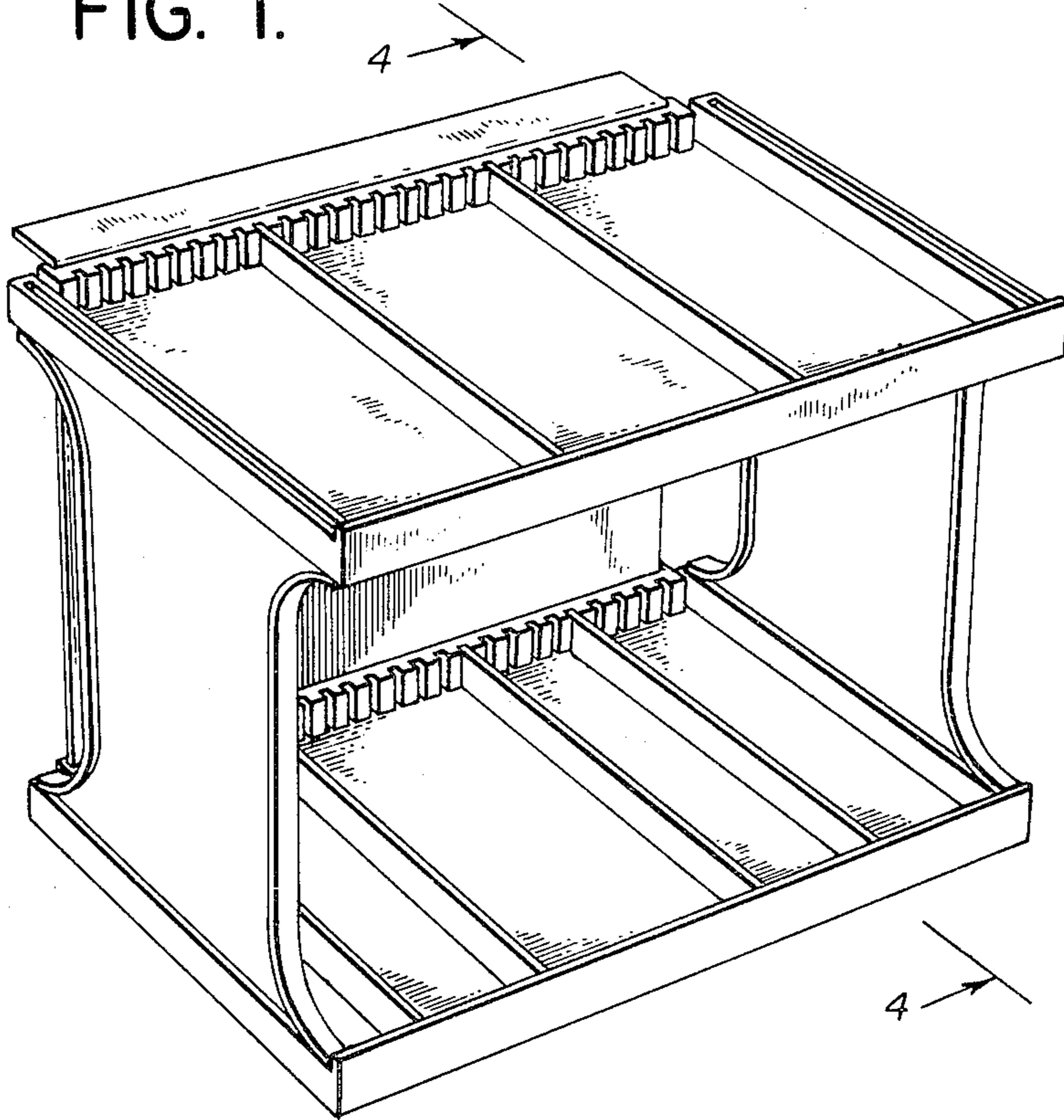


FIG. 2.

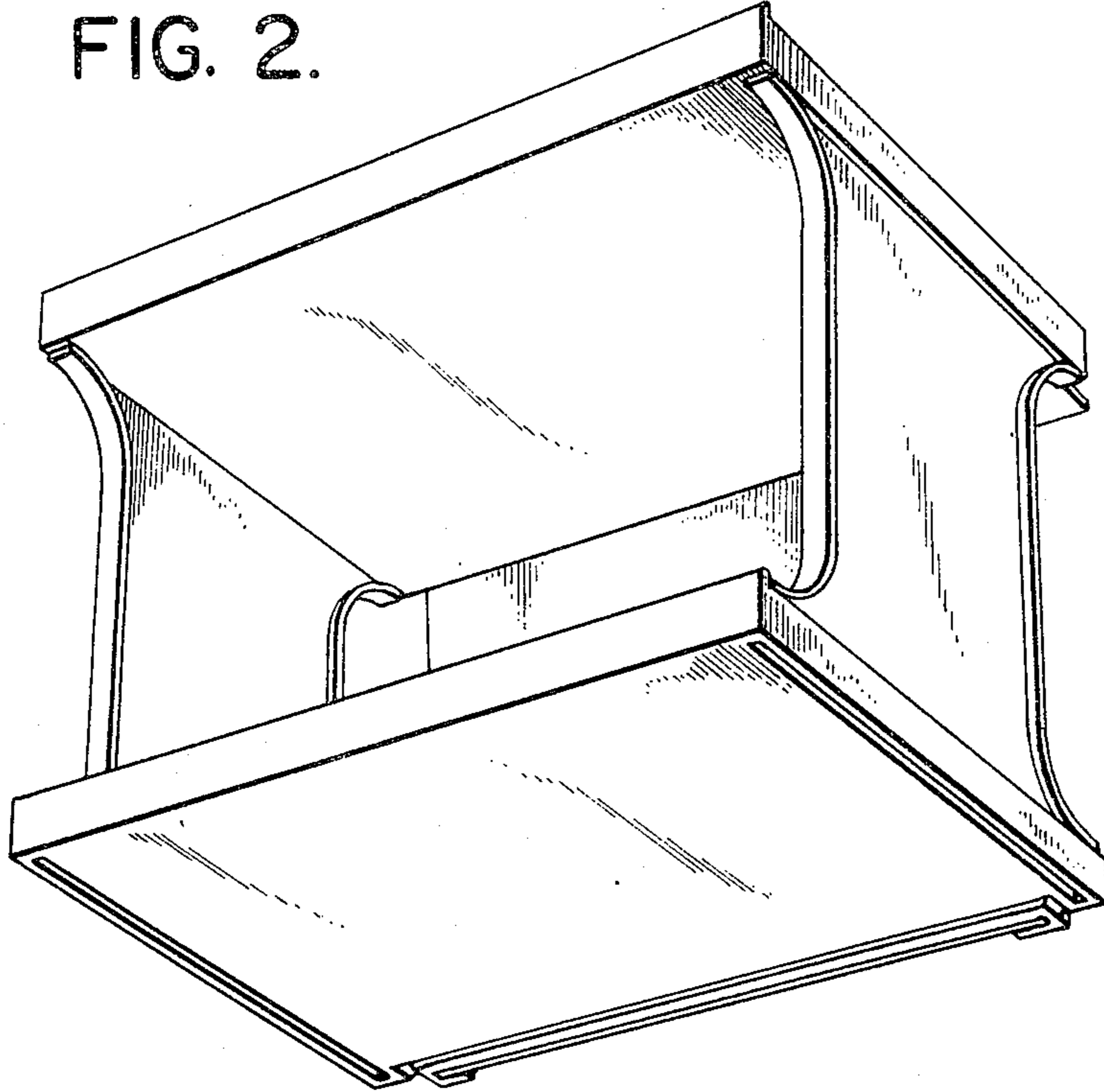


FIG. 3.

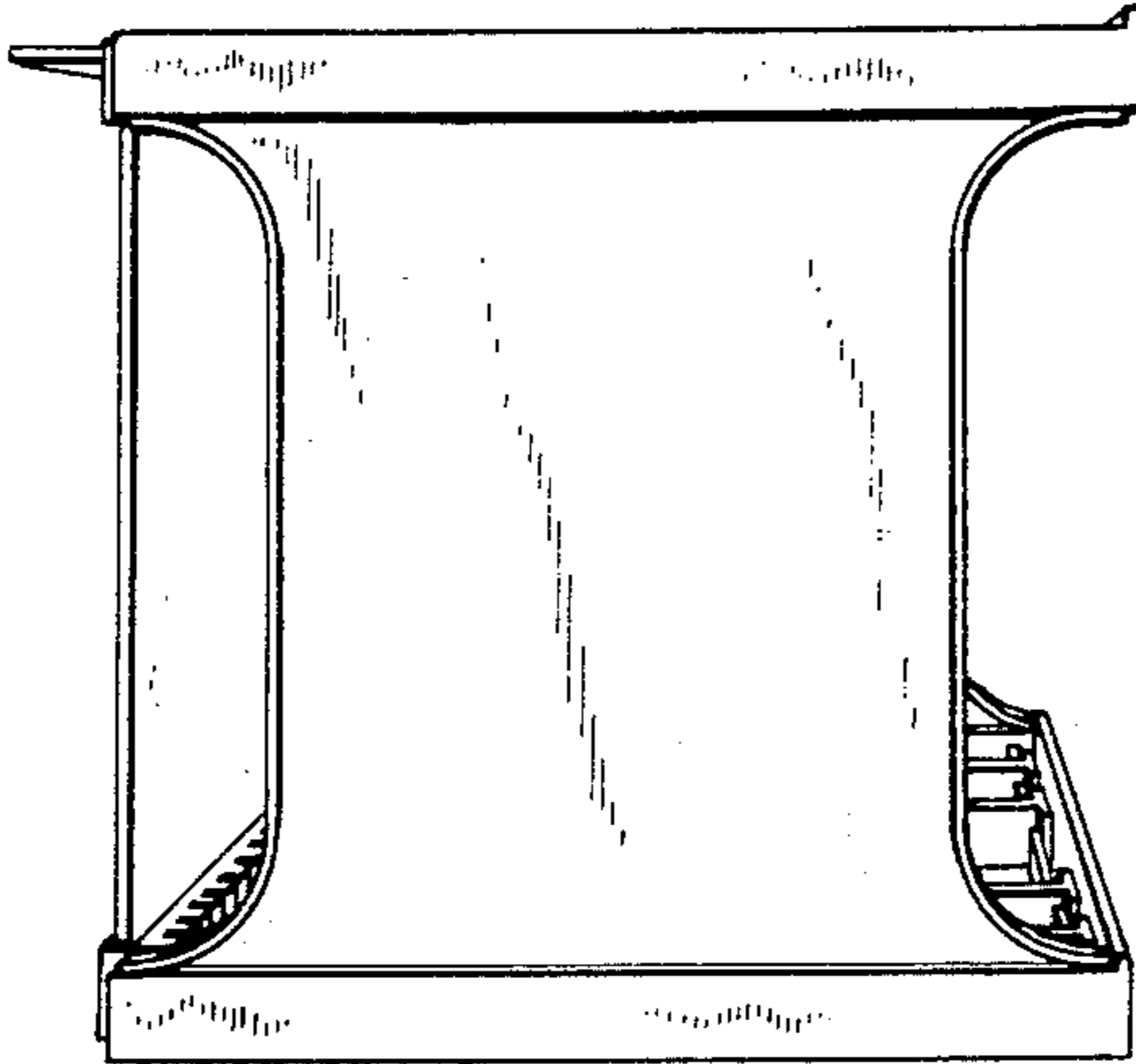


FIG. 4.

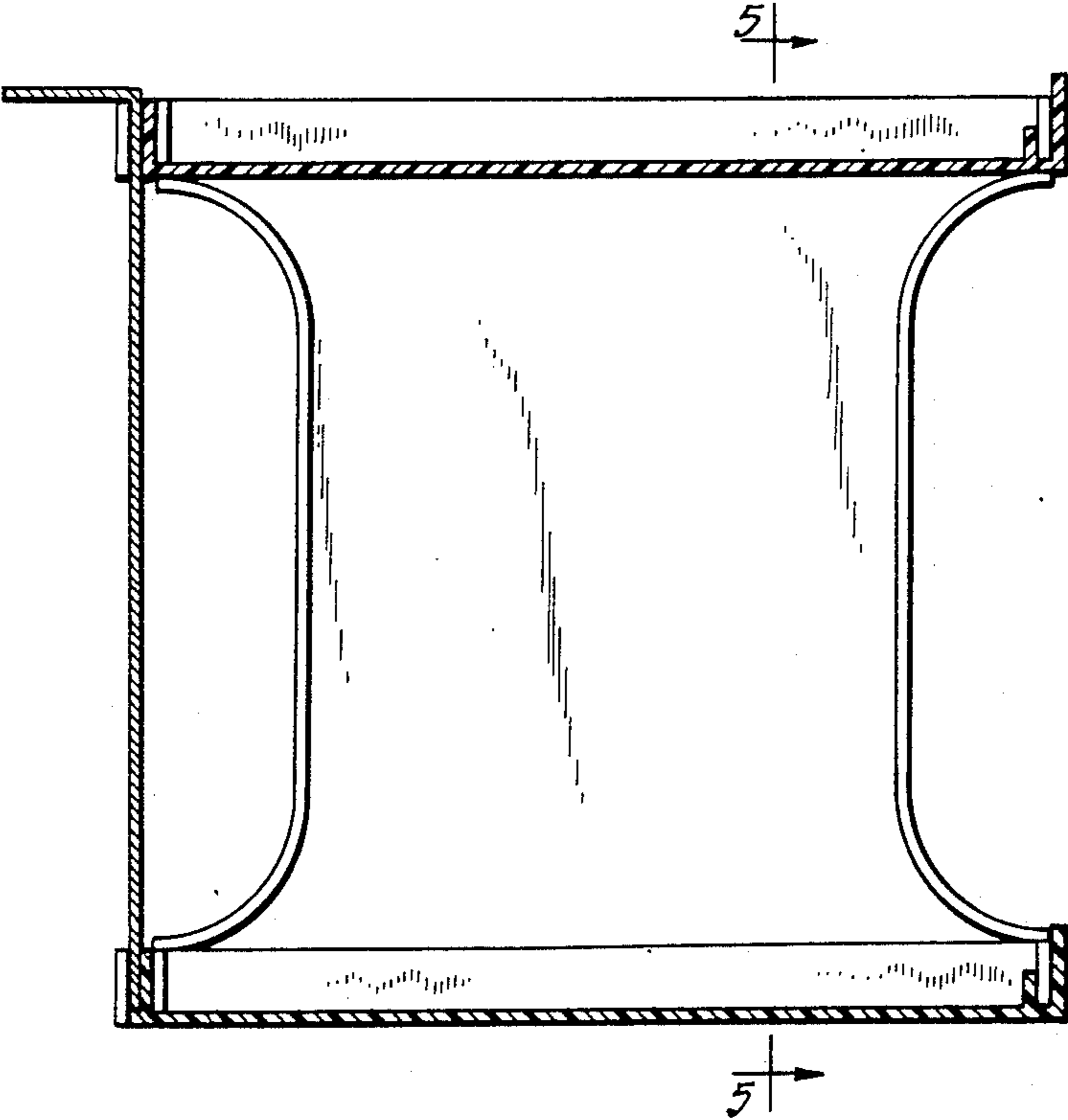


FIG. 5.

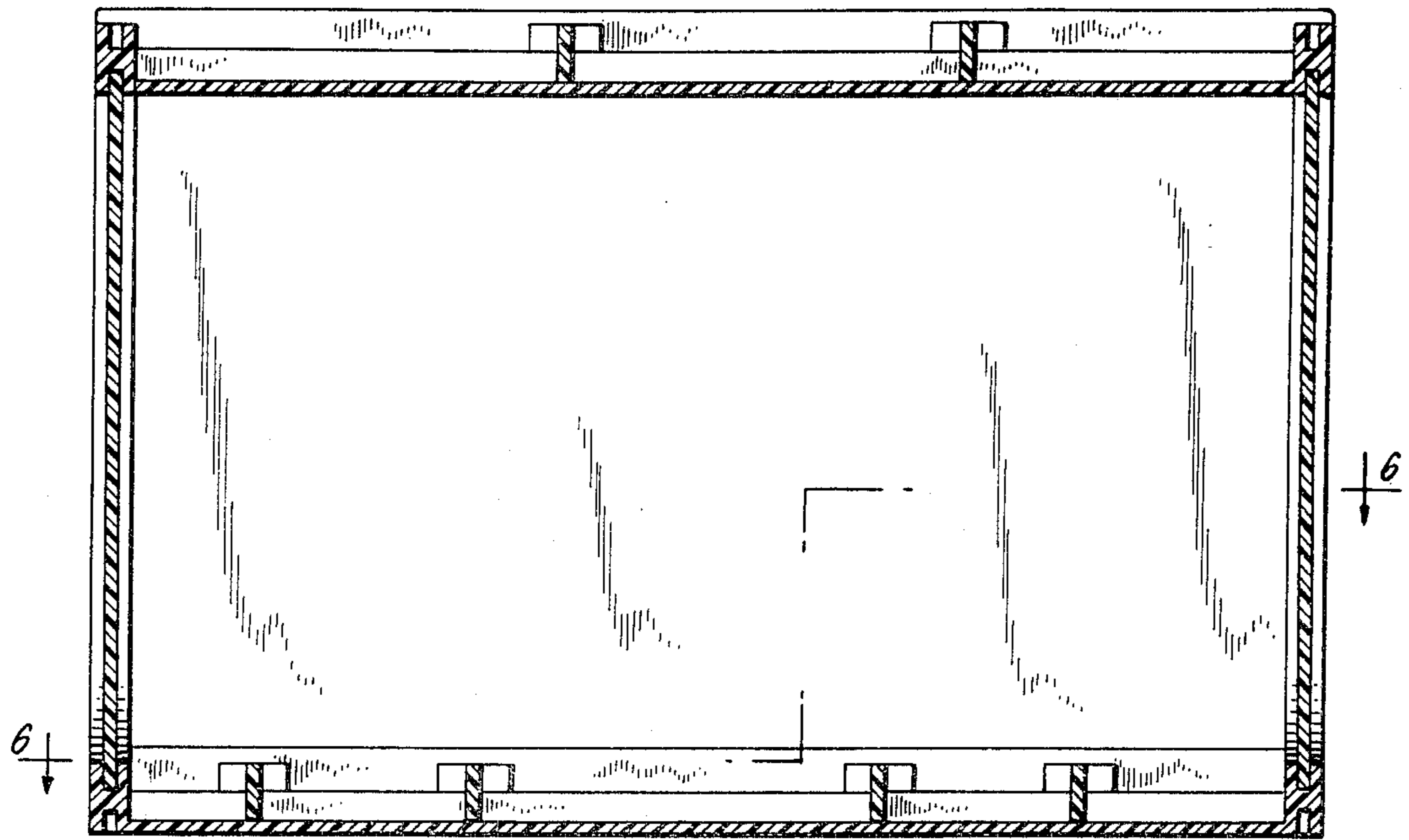


FIG. 6.

