

[54] NIGHT TABLE

[75] Inventor: Kenichirou Yosimoto, Hiroshima, Japan

[73] Assignee: Dream Sogo Kenkyusho, Hiroshima, Japan

[**] Term: 14 Years

[21] Appl. No.: 599,382

[22] Filed: Apr. 12, 1984

[30] Foreign Application Priority Data

Oct. 18, 1983 [JP] Japan 58-045291

[52] U.S. Cl. D6/440; D6/384; D6/480

[58] Field of Search D6/384, 449, 440, 480, D6/484, 487, 488

[56] References Cited

U.S. PATENT DOCUMENTS

D. 264,889 6/1982 Thomas, II D6/384

D. 280,475 9/1985 Testa D6/384

D. 282,795 3/1986 Densen D6/440

4,538,861 9/1985 Hughes, Jr. D6/440 X

Primary Examiner—Bruce W. Dunkins
 Attorney, Agent, or Firm—Flynn, Thiel, Boutell & Tanis

[57] CLAIM

The ornamental design for a night table, as shown and described.

DESCRIPTION

FIG. 1 is a front elevational view of a night table showing my new design;

FIG. 2 is a right side elevational view, the left side being a mirror image thereof;

FIG. 3 is a perspective view thereof with the hinged top shown in a closed position; and

FIG. 4 is a perspective view corresponding to FIG. 3 but showing the hinged top in an open position.

The undisclosed rear of the night table is similar in appearance to the FIG. 1 showing.

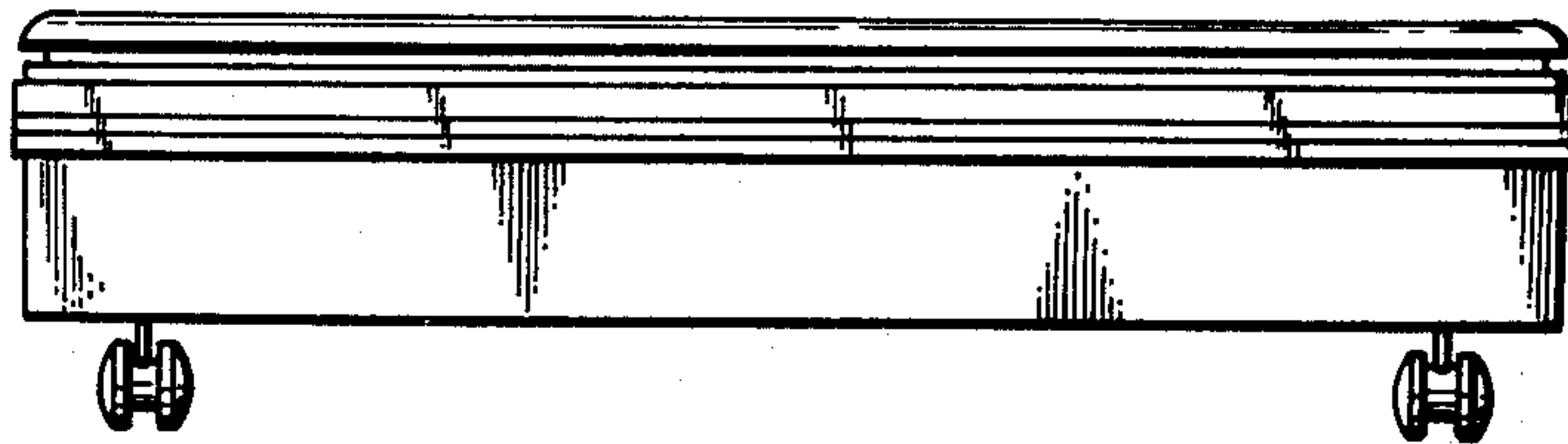


FIG. 1

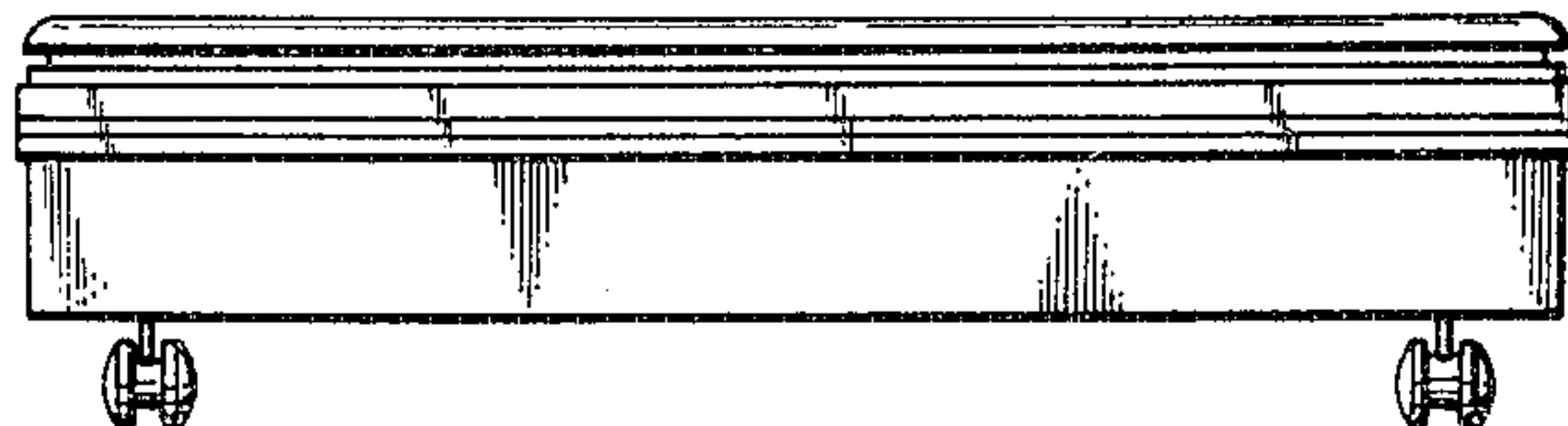


FIG. 2

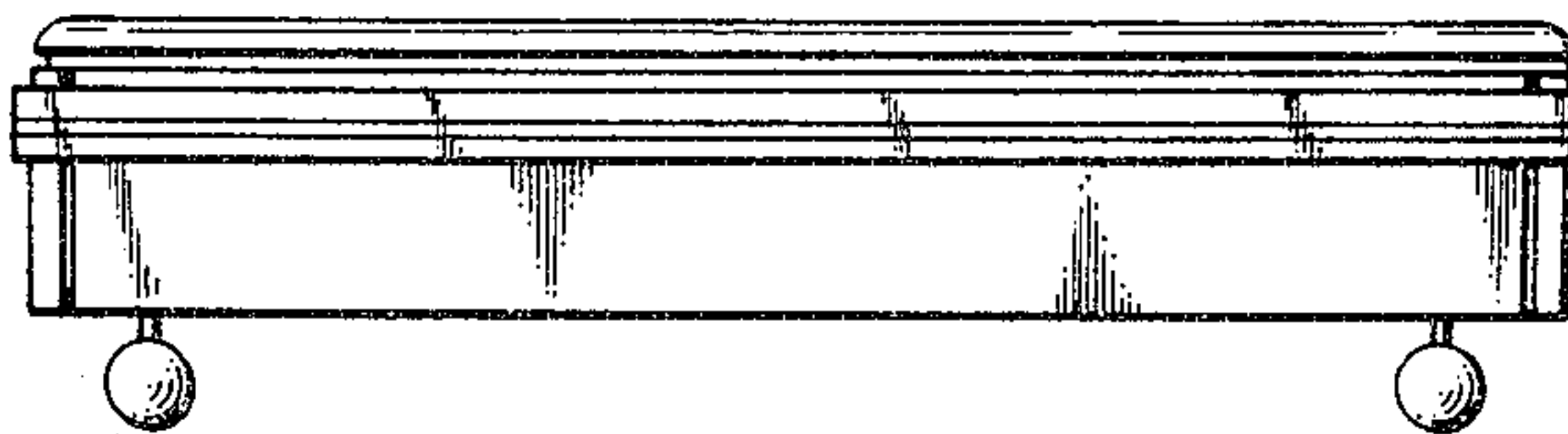


FIG. 3

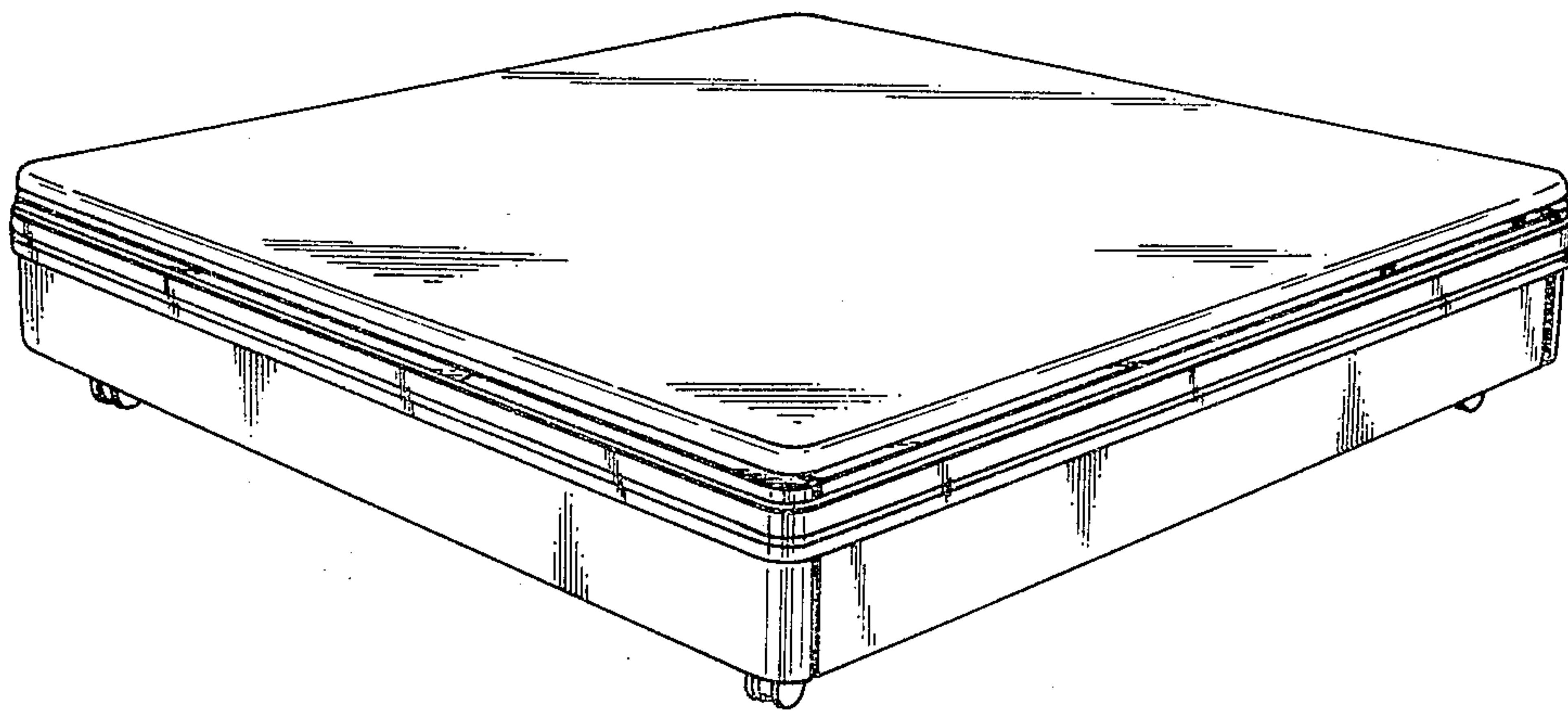


FIG. 4

