

[54] CRADLE

[76] Inventor: Buckley Smith, 191 St. Botolph St., Boston, Mass. 02116

[**] Term: 14 Years

[21] Appl. No.: 608,554

[22] Filed: May 9, 1984

[52] U.S. Cl. D6/390; D6/345; D6/385; D6/388

[58] Field of Search D6/331, 333, 344, 345, D6/358, 359, 385, 388, 386, 390; 5/93 R, 101, 105, 107, 108

[56] References Cited

U.S. PATENT DOCUMENTS

- D. 51,730 2/1918 Marqua D6/345 X
- D. 74,587 3/1928 Arnad D6/386

- D. 143,283 12/1945 De Pirro D31/31
- D. 169,466 4/1953 White D6/345
- D. 228,535 10/1973 Lundgren et al. D6/385
- D. 270,587 9/1983 O'Connell D6/345

Primary Examiner—Bruce W. Dunkins
Attorney, Agent, or Firm—Wolf, Greenfield & Sacks

[57] CLAIM

The ornamental design for a cradle, as shown and described.

DESCRIPTION

FIG. 1 is a perspective view of a cradle embodying my invention

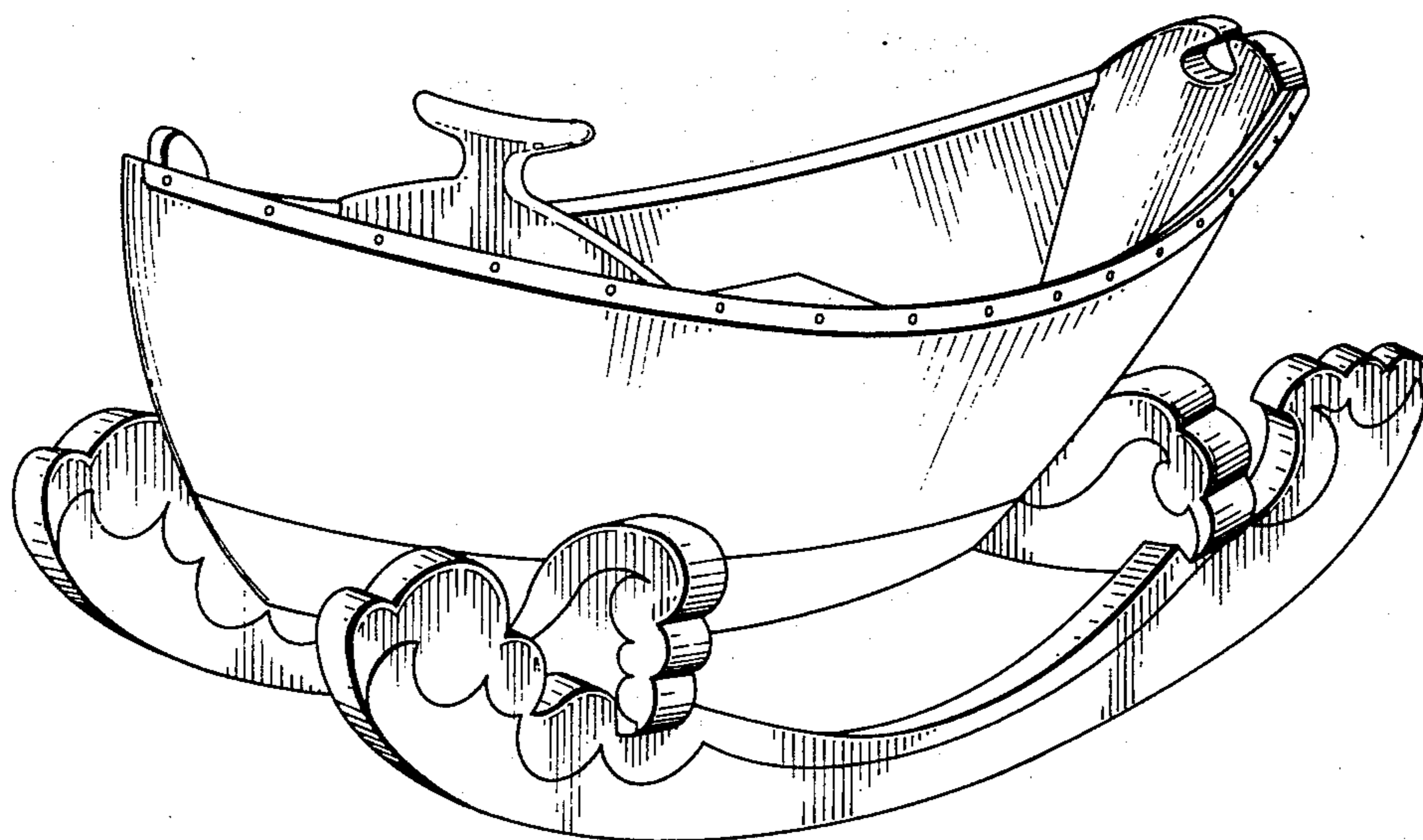
FIG. 2 is a side elevational view thereof;

FIG. 3 is a top plan view thereof

FIG. 4 is a bottom plan view thereof;

FIG. 5 is an end view looking from the left of FIG. 1 and;

FIG. 6 is an end view looking from the right of FIG. 1.



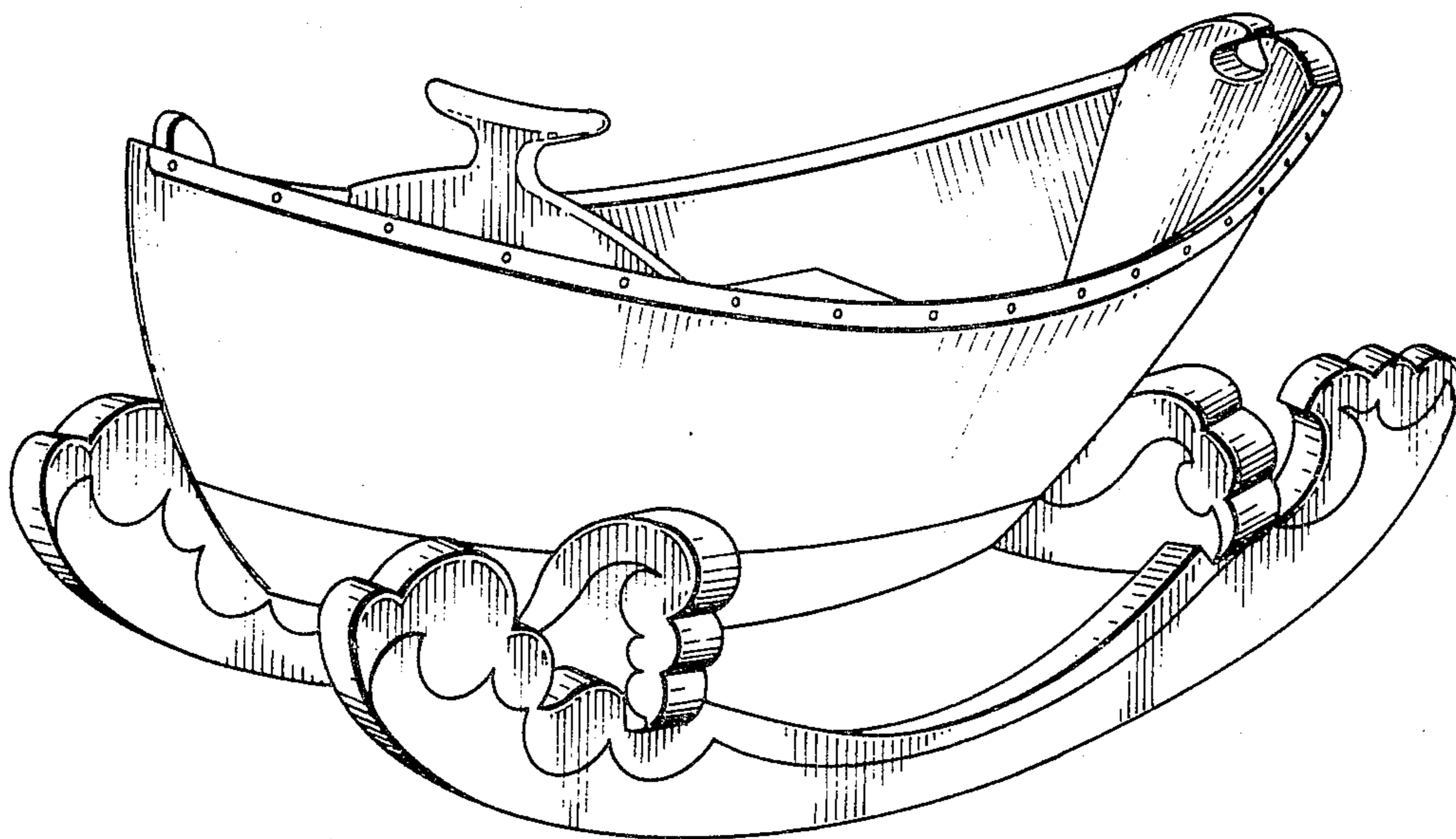


FIG. 1

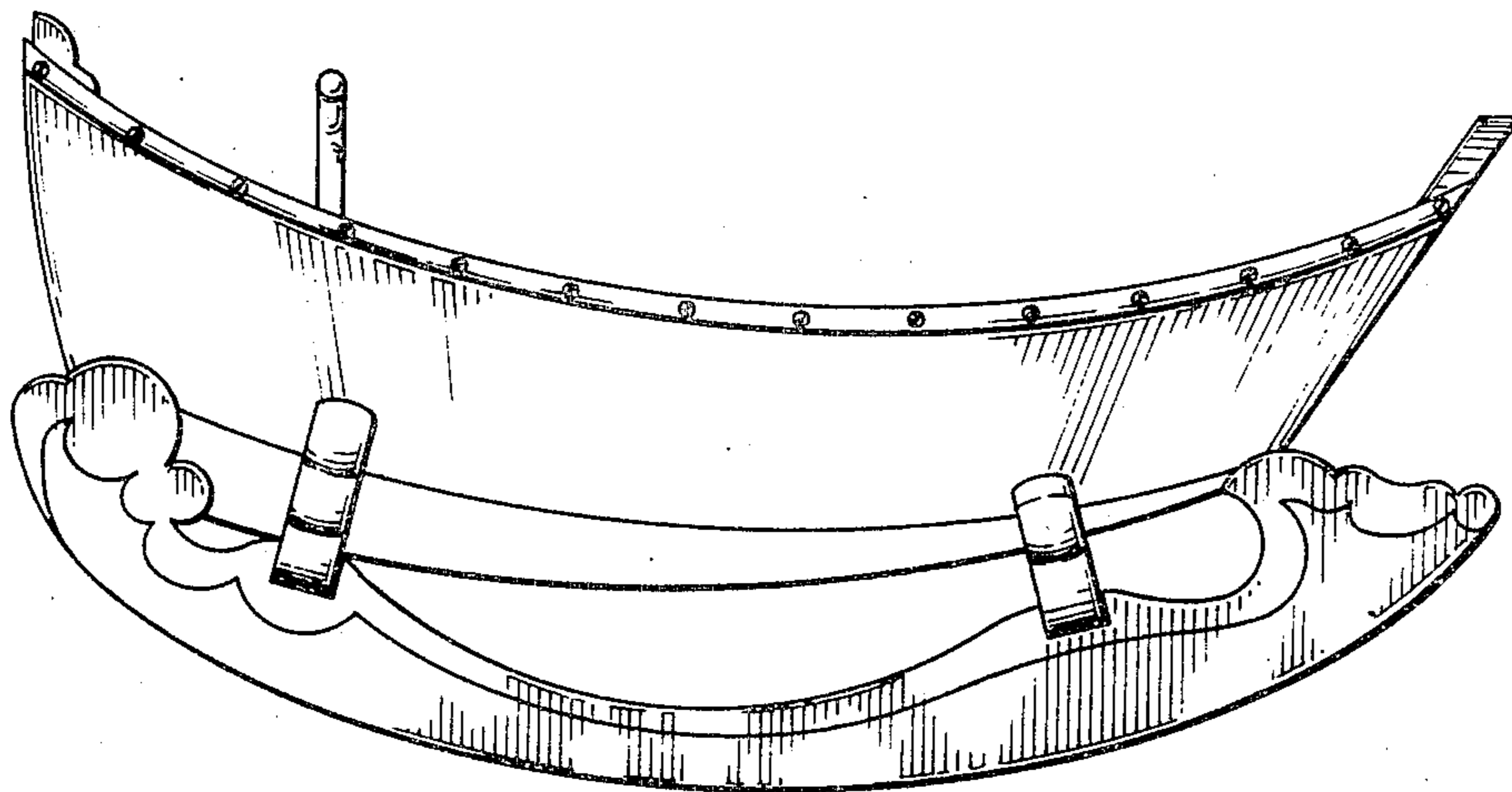


FIG. 2

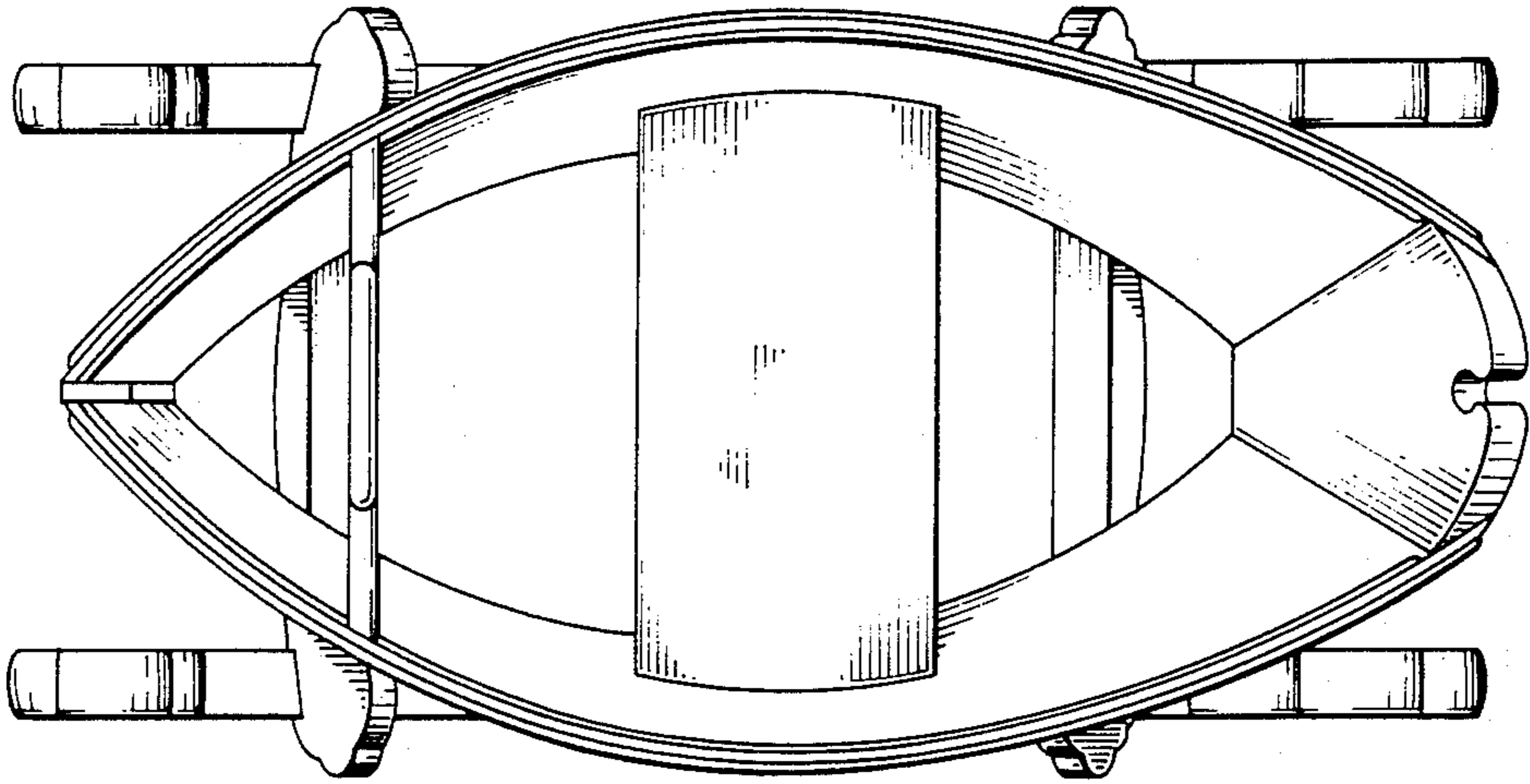


FIG. 3

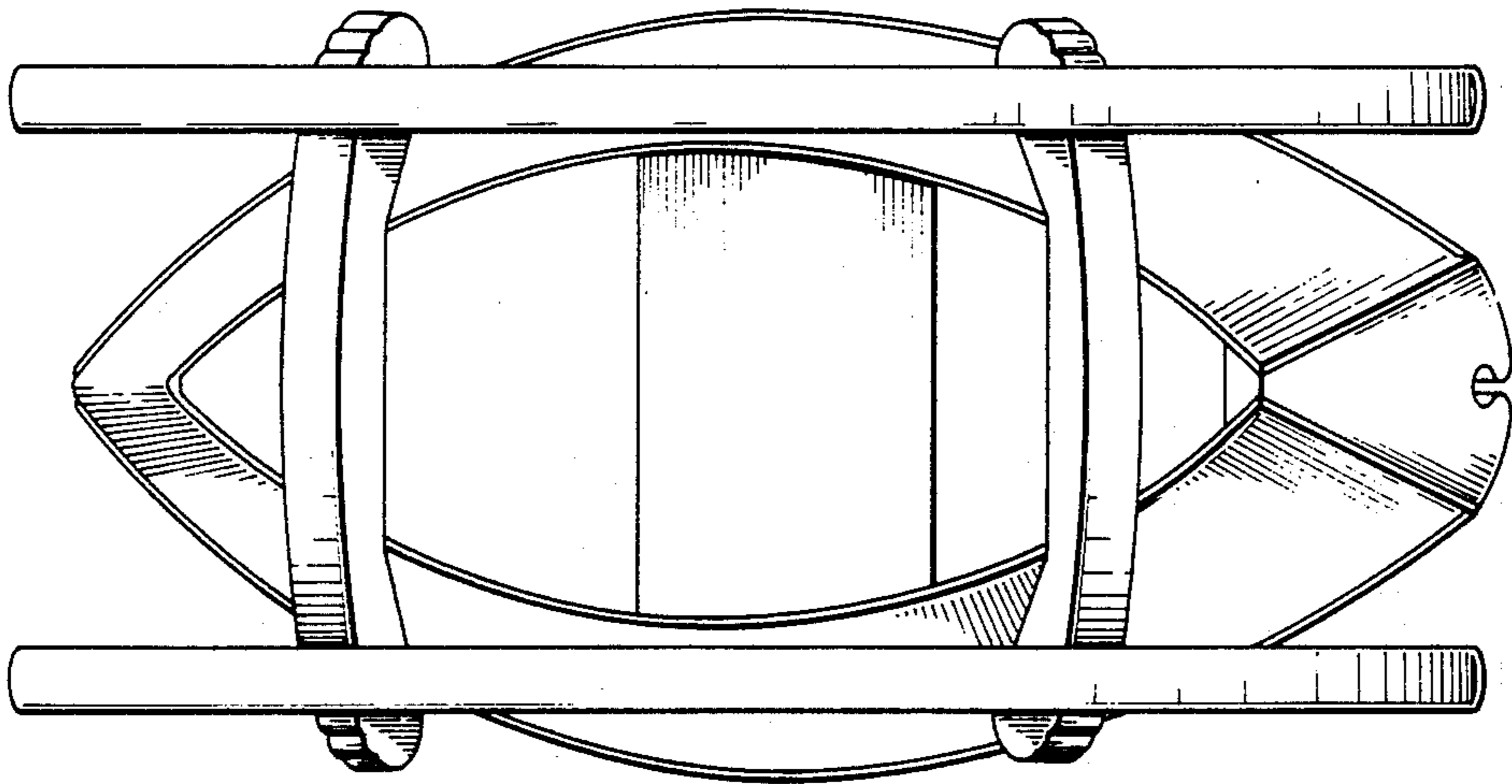


FIG. 4

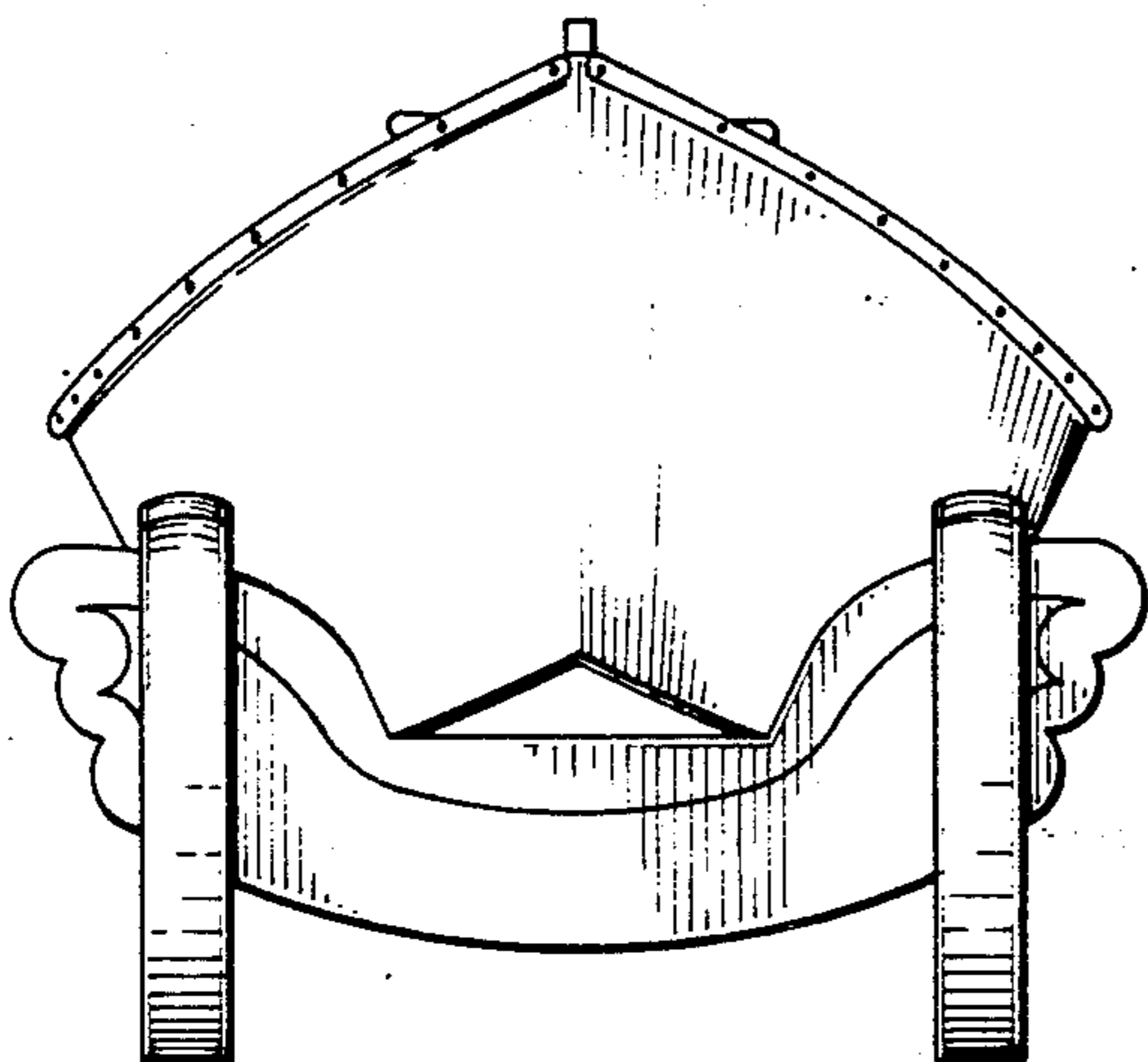


FIG. 5

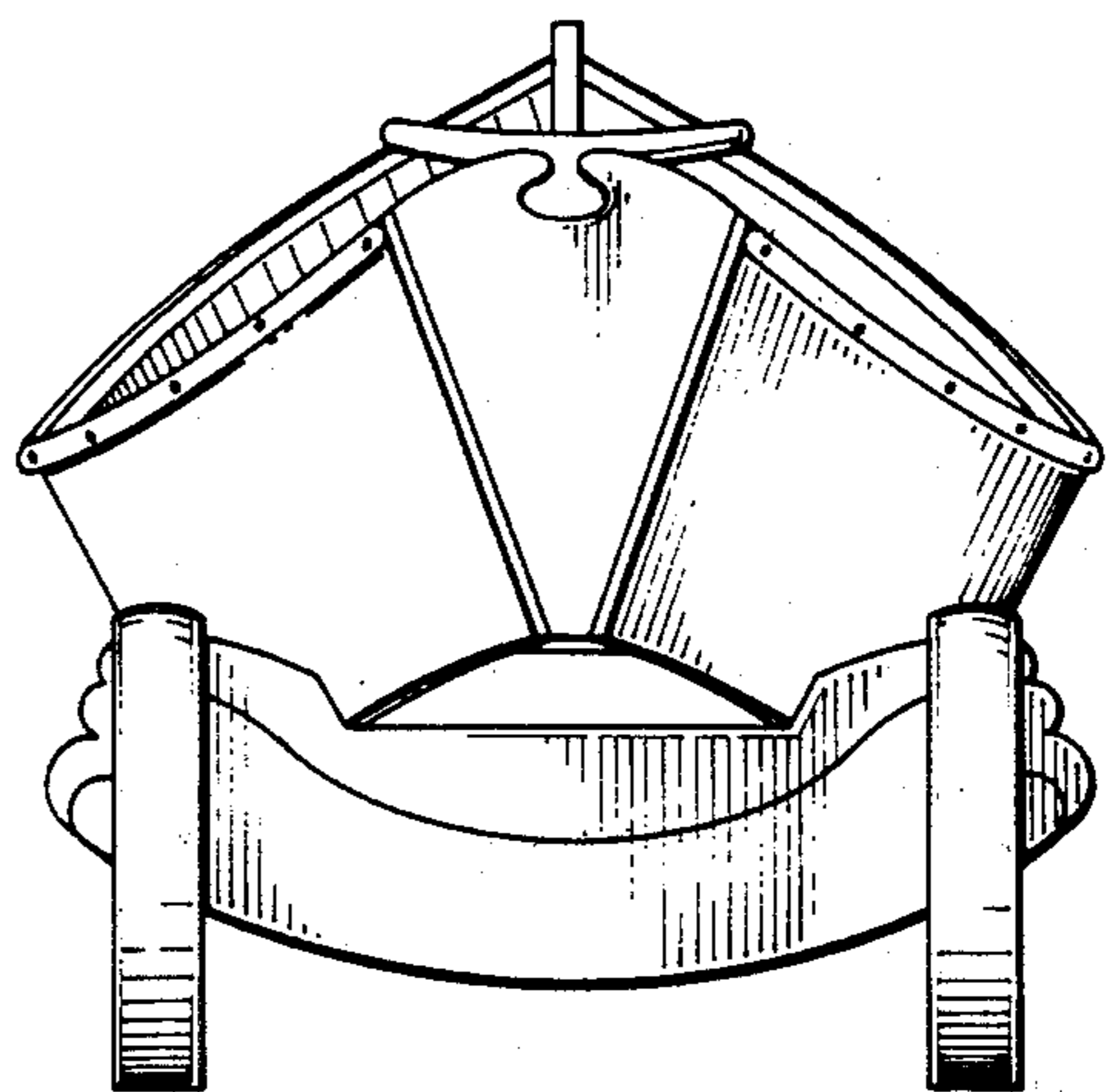


FIG. 6