

United States Patent [19]

Filsinger et al.

[11] Patent Number: **Des. 286,583**

[45] Date of Patent: **** Nov. 11, 1986**

[54] **COMBINED KEY HOLDER AND SELF PROTECTION DEVICE**

[76] Inventors: **Jonny N. D. Filsinger**, 7947 Carol Elaine Cir., Bartlett; **Patrick E. Long**, 2135 Morning Vista, Memphis, both of Tenn. 38134

[**] Term: **14 Years**

[21] Appl. No.: **631,328**

[22] Filed: **Jul. 16, 1984**

[52] U.S. Cl. **D3/62; D3/64; D22/118; D32/49**

[58] Field of Search **D3/61-65; D11/55; D22/1; 24/3 K; 70/456 R-460; D32/40, 46**

[56] **References Cited**

U.S. PATENT DOCUMENTS

D. 247,995 5/1978 Lage D3/61
D. 252,356 7/1979 Garcia D3/61

D. 266,555 10/1982 McNally D3/62
D. 279,415 6/1985 Ostrow et al. D32/49
D. 279,524 7/1985 Enomoto D3/61

Primary Examiner—George P. Word
Attorney, Agent, or Firm—Walker & McKenzie

[57] CLAIM

The ornamental design for a combined key holder and self protection device, substantially as shown and described.

DESCRIPTION

FIG. 1 is a front elevational view of the combined key holder and self protection device showing our new design;

FIG. 2 is a rear elevational view thereof;

FIG. 3 is a left side elevational view thereof, the right side being substantially identical thereto;

FIG. 4 is a cross-sectional view taken along line 4—4 of FIG. 1;

FIG. 5 is a top plan view thereof; and

FIG. 6 is a bottom plan view thereof.

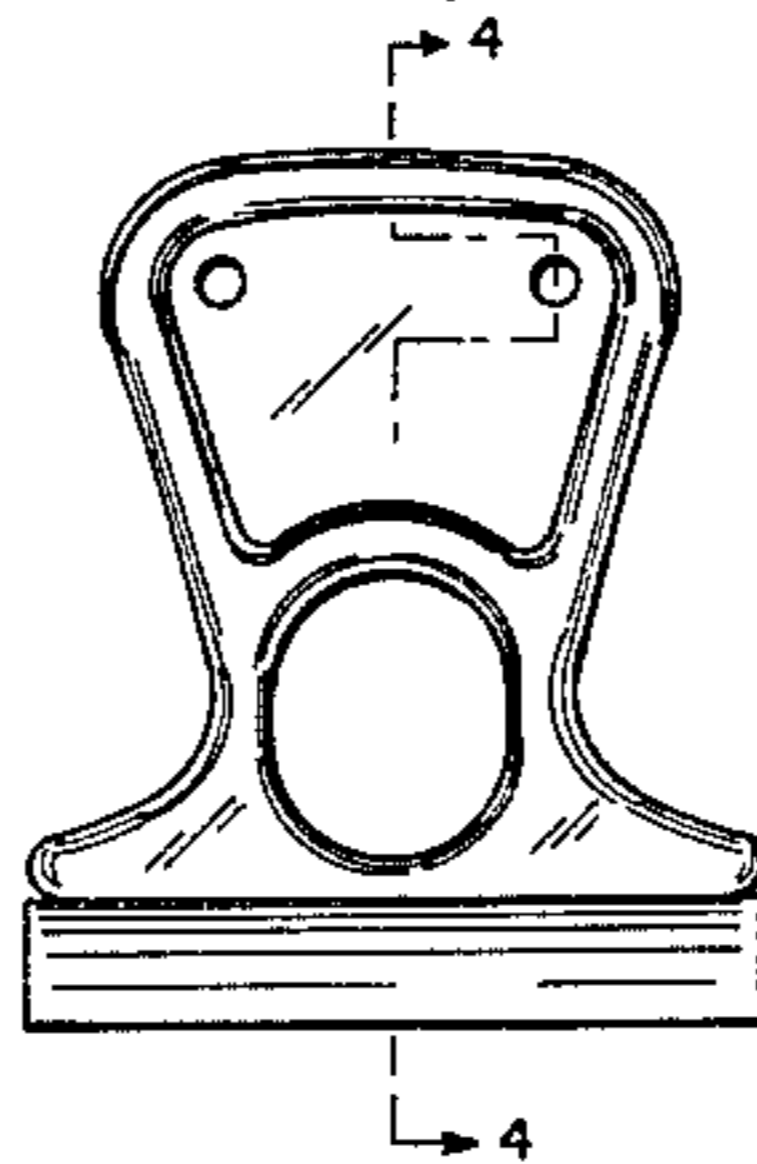


FIG. 1

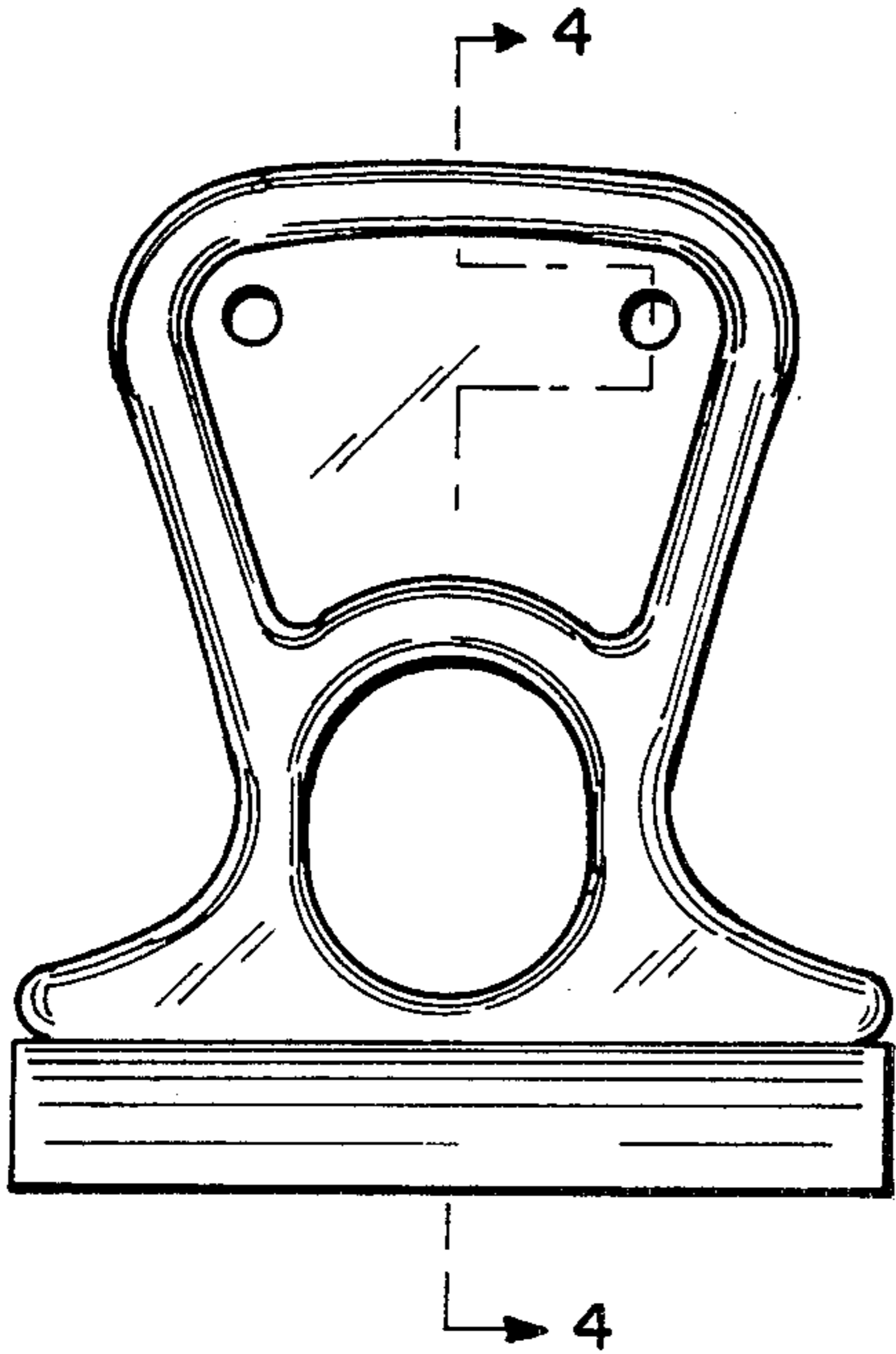


FIG. 2

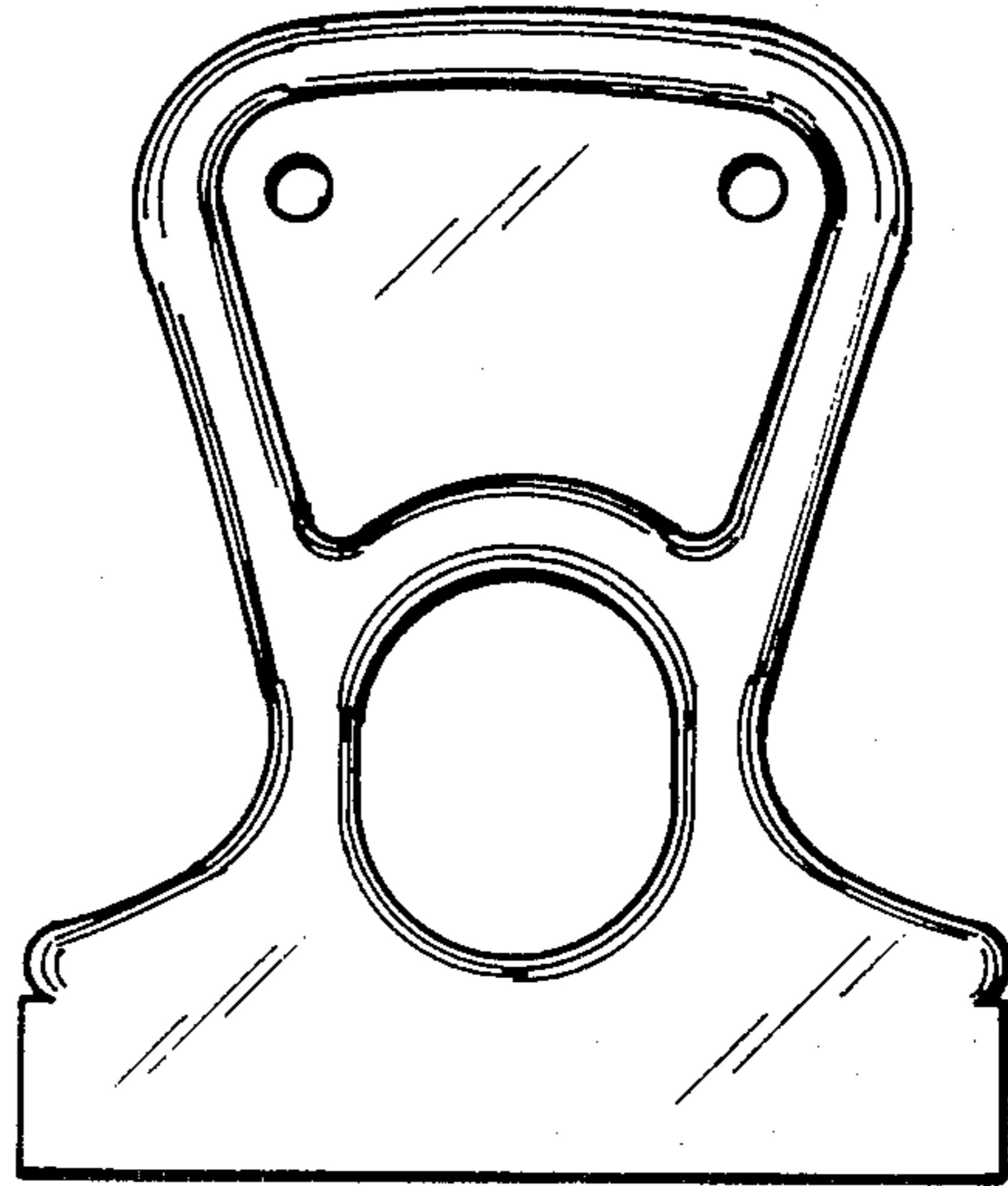


FIG. 3



FIG. 4



FIG. 5



FIG. 6

