

[54] LIGHT FOR CLOSETS, STORAGE SPACES, AND THE LIKE

3,274,382 9/1966 Fattori 362/199 X
4,442,478 4/1984 Stansbury 362/201 X

[75] Inventors: Timothy G. Pugh, Arnold; Thornton H. Gogoll, Easton; Don R. McCloskey, Trappe; Vernon R. Lacher, Queenstown, all of Md.

[73] Assignee: Black & Decker, Inc., Newark, Del.

[**] Term: 14 Years

[21] Appl. No.: 581,592

[22] Filed: Feb. 21, 1984

[52] U.S. Cl. D26/85

[58] Field of Search D26/24, 37-50, D26/72, 85, 88, 89; 362/157, 158, 183-208

[56] References Cited

U.S. PATENT DOCUMENTS

D. 173,729	12/1954	Helms	D26/85 X
D. 221,893	9/1971	Peasley	D26/85
D. 237,402	10/1975	Lewng	D26/85
D. 249,291	9/1978	Pemberton	D26/85
2,052,654	9/1936	Ponath	362/191

OTHER PUBLICATIONS

Light & Lighting, 7-8-1977, p. 178, Gemini MI Emergency Lighting Fixture (Wall Lamp Box).

Primary Examiner—Susan J. Lucas
Attorney, Agent, or Firm—Finnegan, Henderson, Farabow, Garrett & Dunner

[57] CLAIM

The ornamental design for a light for closets, storage spaces, and the like, as shown and described.

DESCRIPTION

FIG. 1 is a front elevational view of a light for closets, storage spaces and the like showing our new design; FIG. 2 is a rear elevational view thereof; FIG. 3 is a top plan view thereof; FIG. 4 is a bottom plan view thereof; FIG. 5 is a left side elevational view thereof; FIG. 6 is a right side elevational view thereof; and FIG. 7 is a front prospective view thereof on a reduced scale.

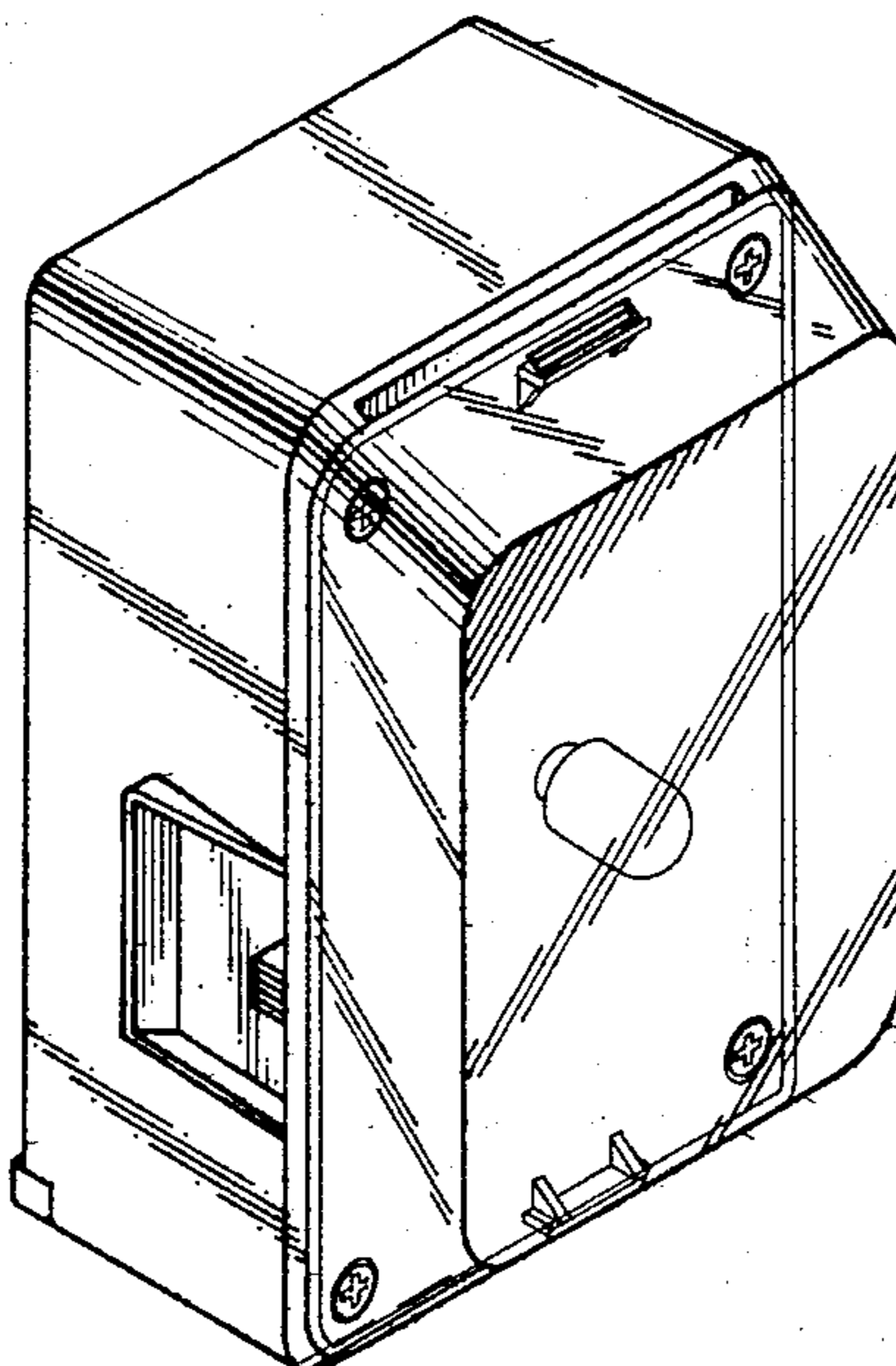


FIG. 1

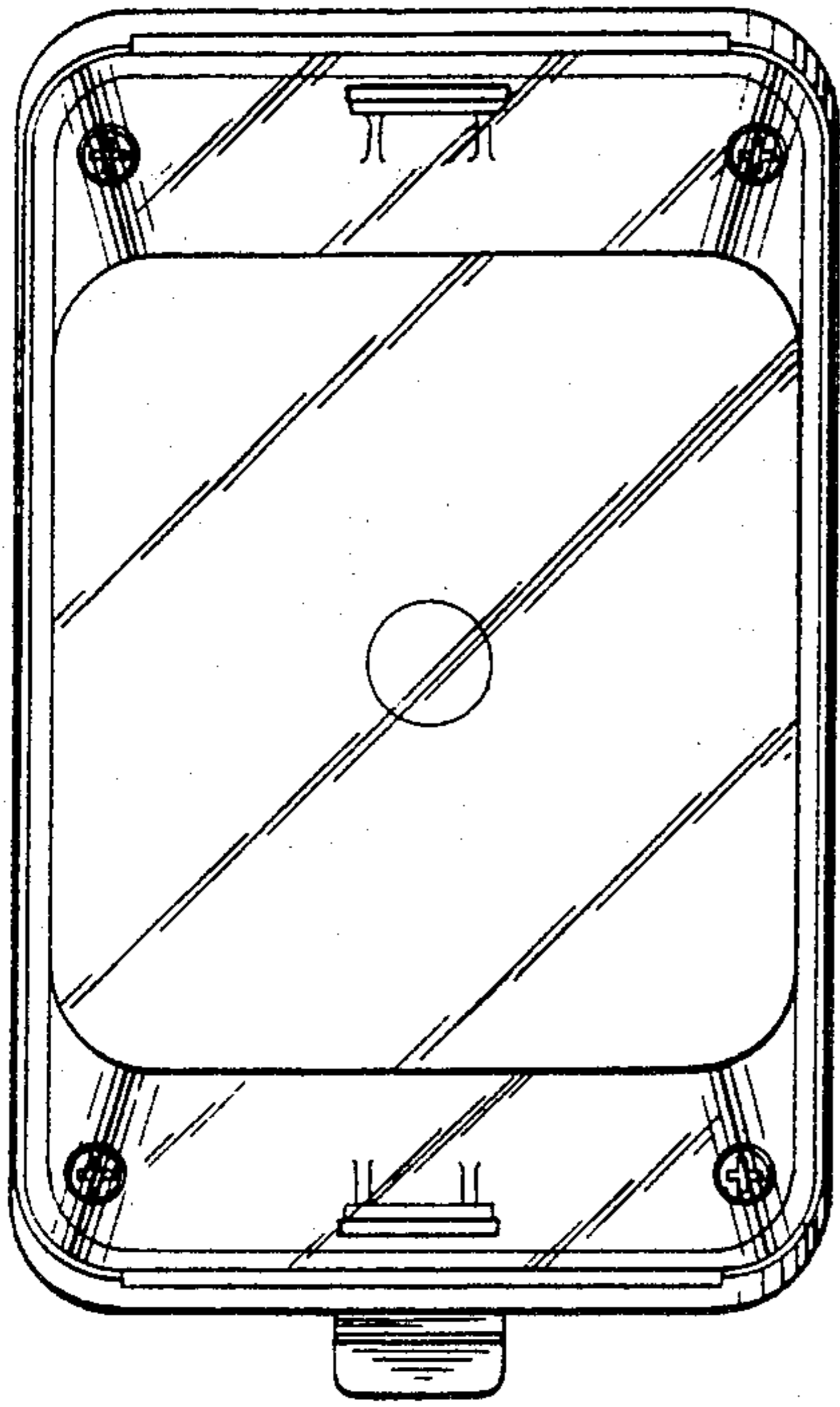


FIG. 2

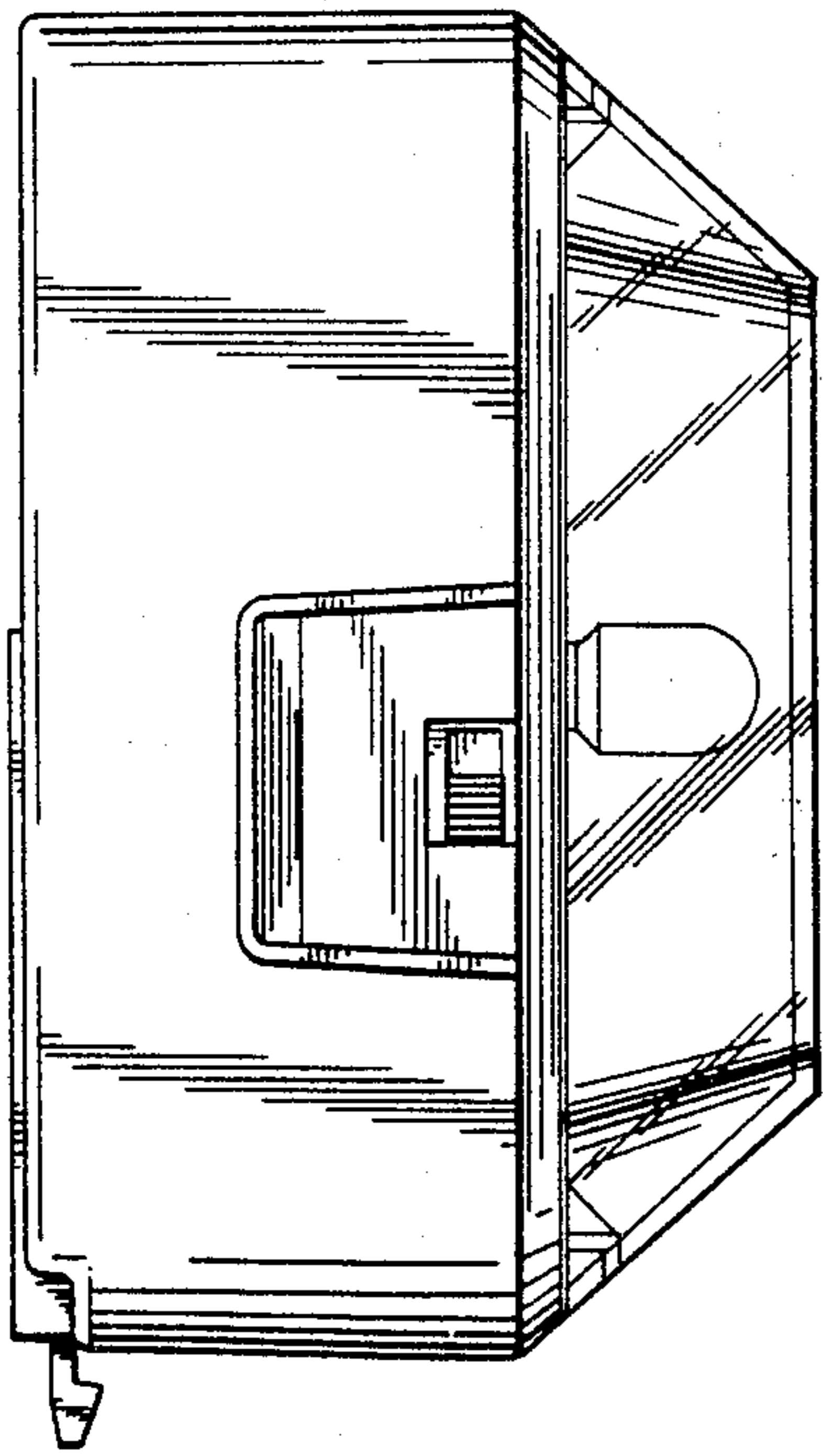
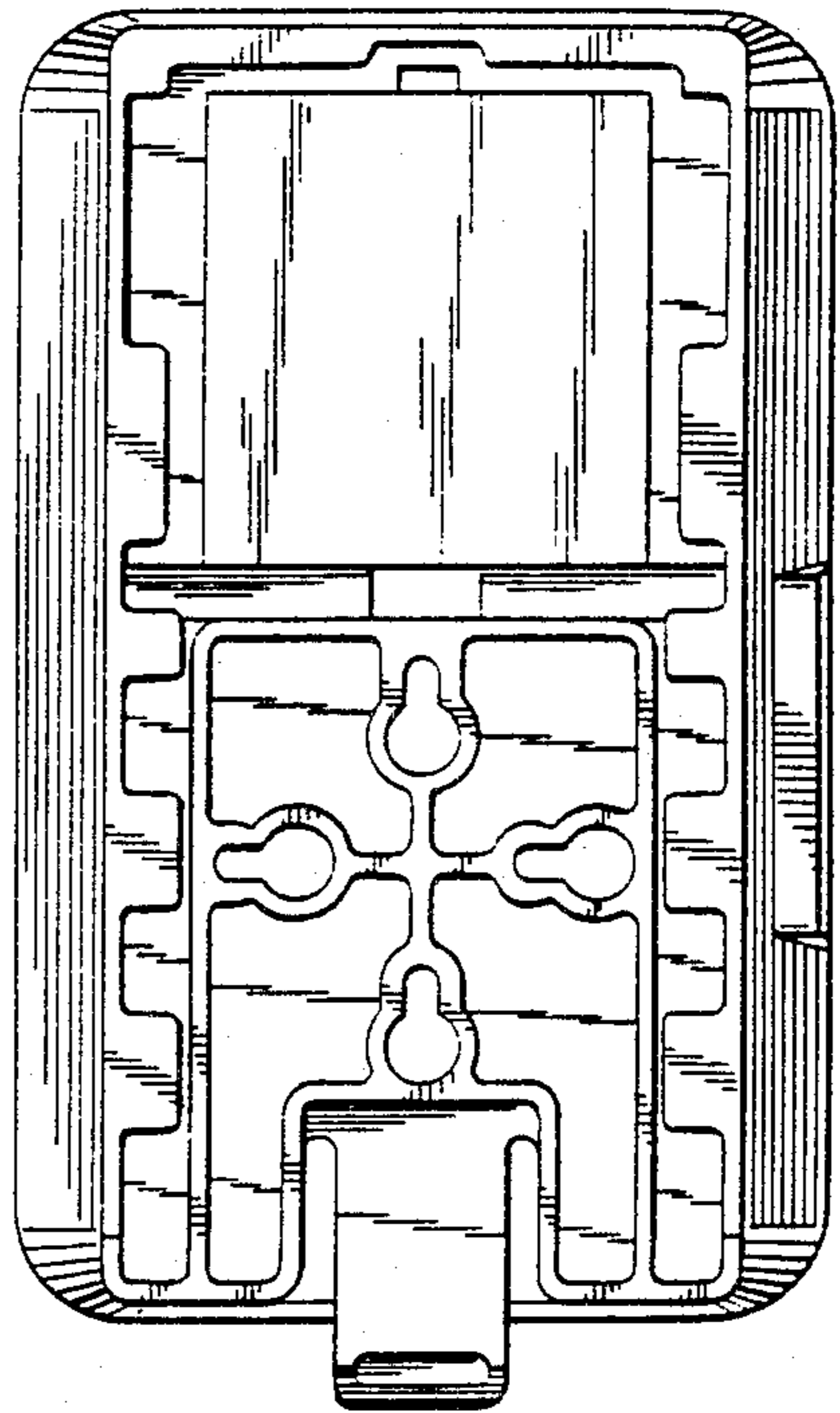


FIG. 3

Fig. 4

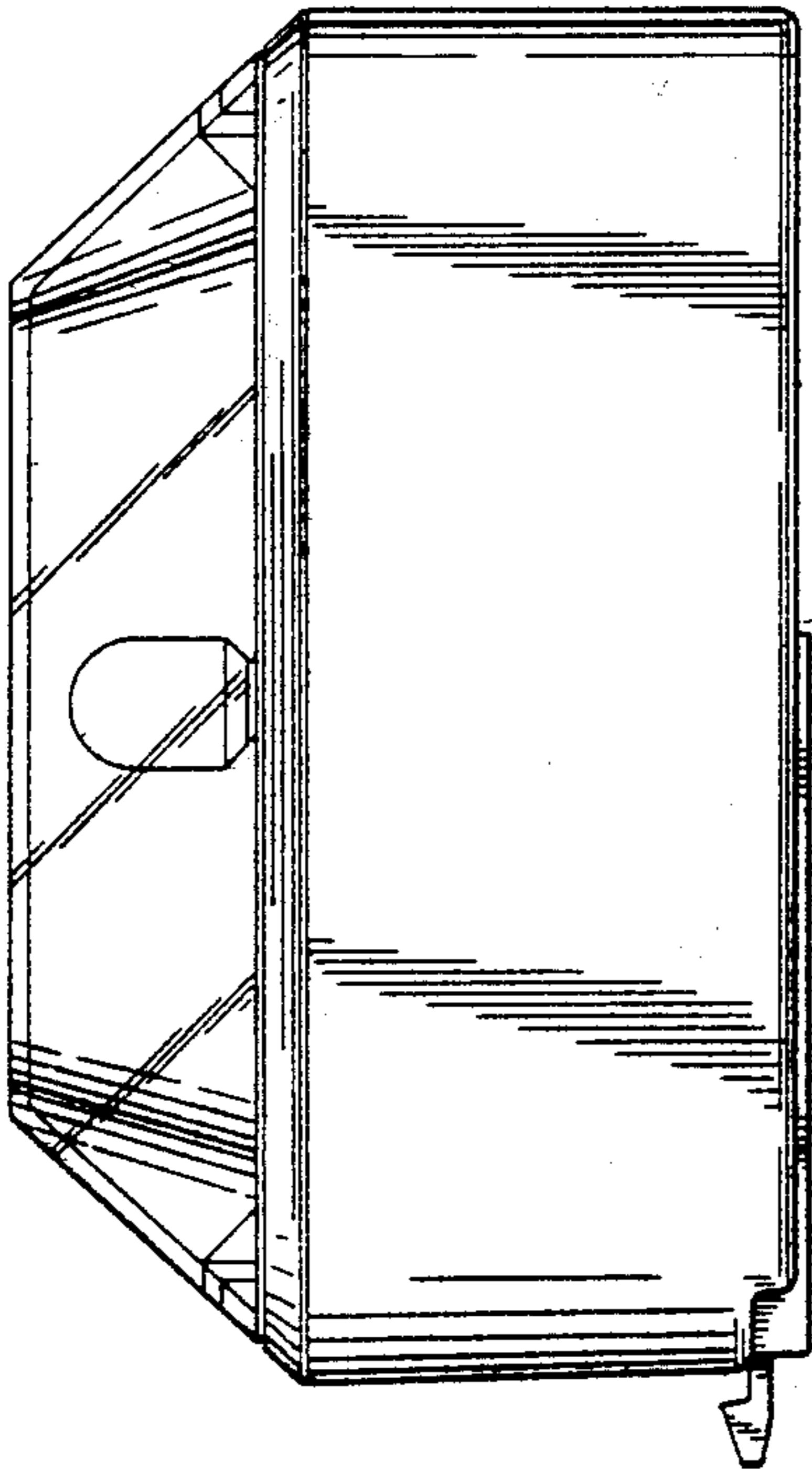


Fig. 5

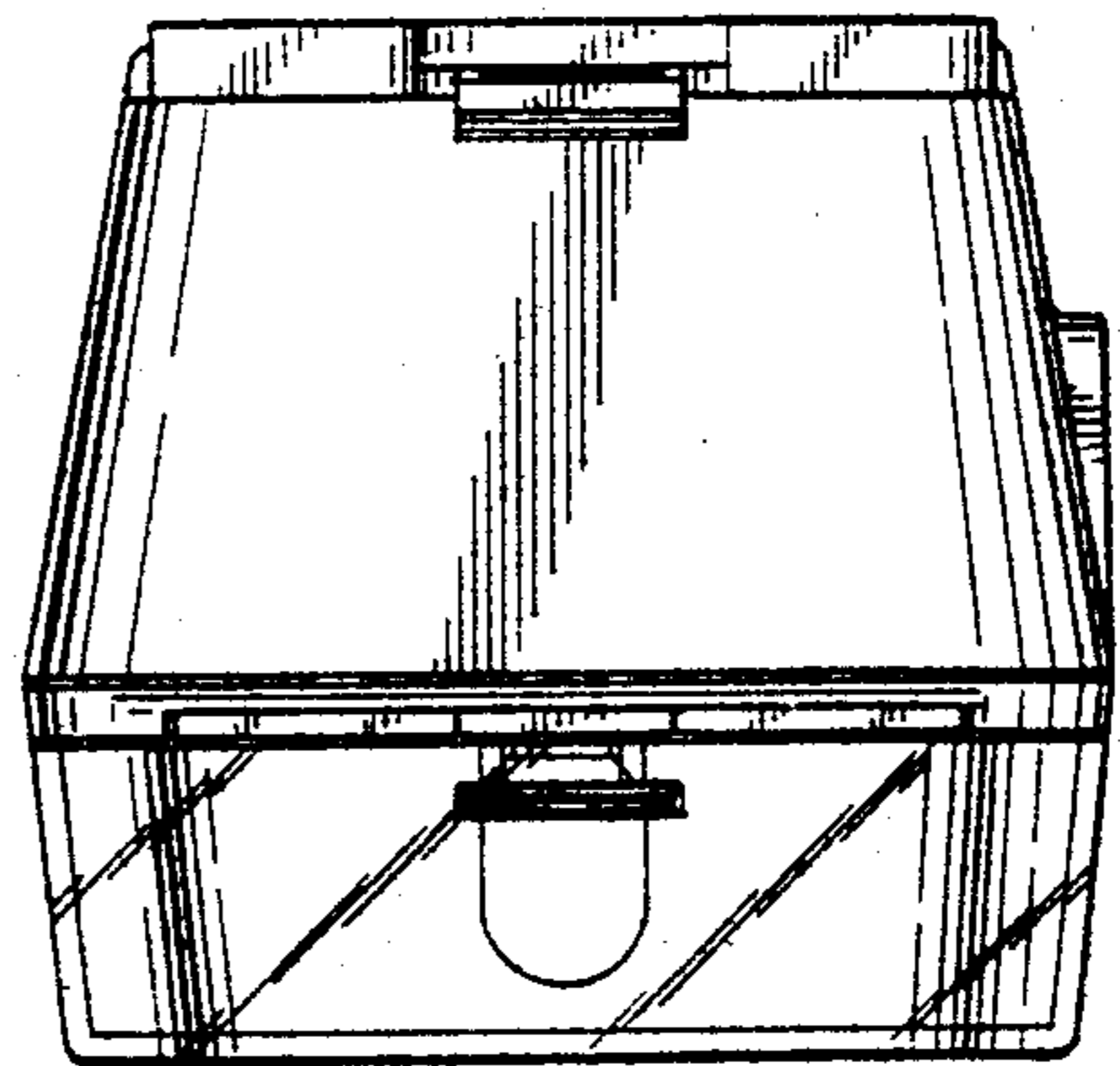
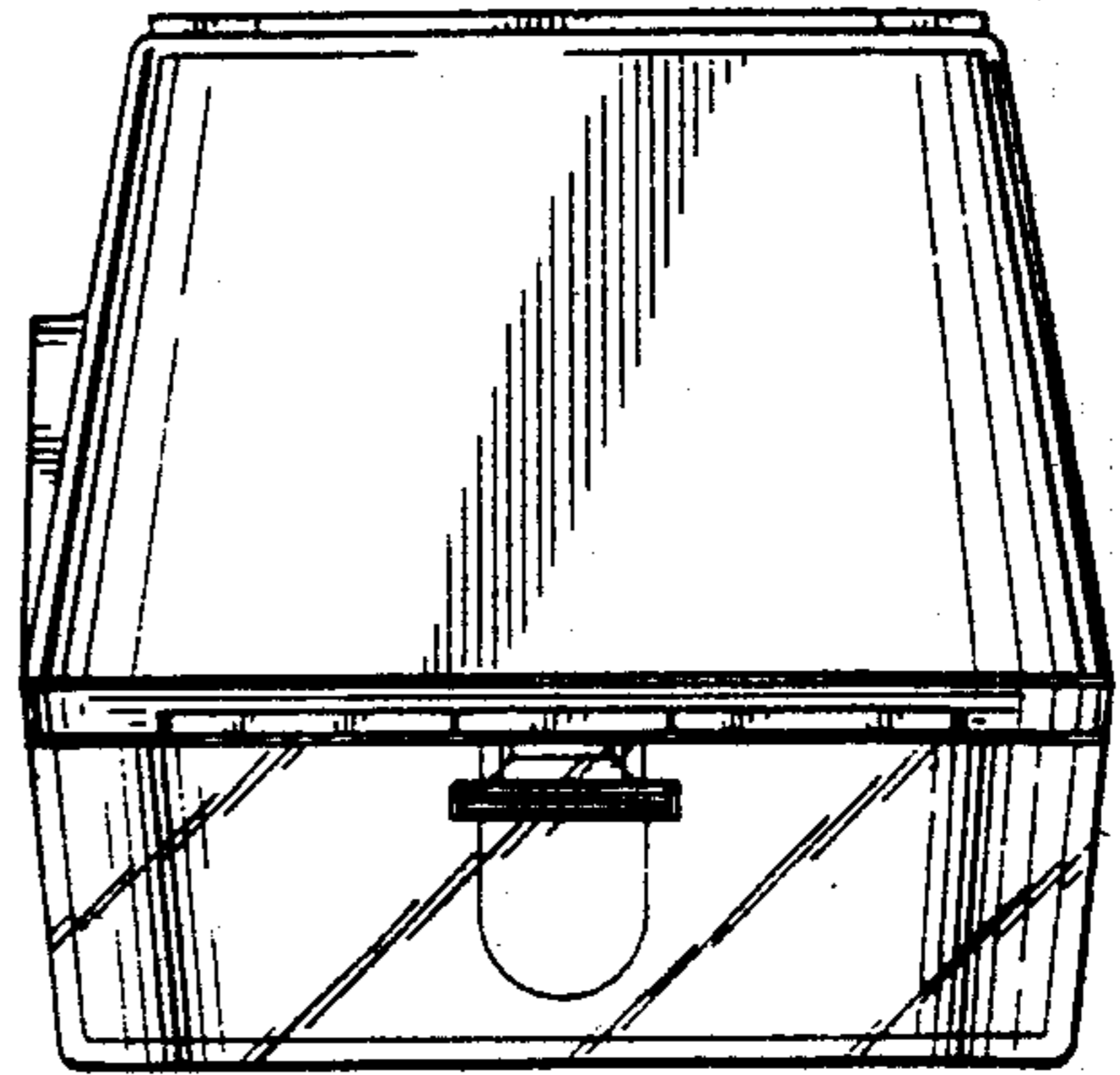


Fig. 6

FIG. 7

