

[54] **SPOTLIGHT**

[75] **Inventor: William G. Krokaugger, Chatsworth, Calif.**

[73] **Assignee: Mole-Richardson Co., Hollywood, Calif.**

[**] **Term: 14 Years**

[21] **Appl. No.: 579,499**

[22] **Filed: Feb. 13, 1984**

[52] **U.S. Cl. D26/63**

[58] **Field of Search D26/24, 60-66; 362/269, 275, 277, 285, 418, 427, 404, 311, 297**

[56]

References Cited

U.S. PATENT DOCUMENTS

D. 260,300 8/1981 Aron D26/63
D. 271,527 11/1983 Hershey D26/63

Primary Examiner—Susan J. Lucas
Attorney, Agent, or Firm—Edward A. Sokolski

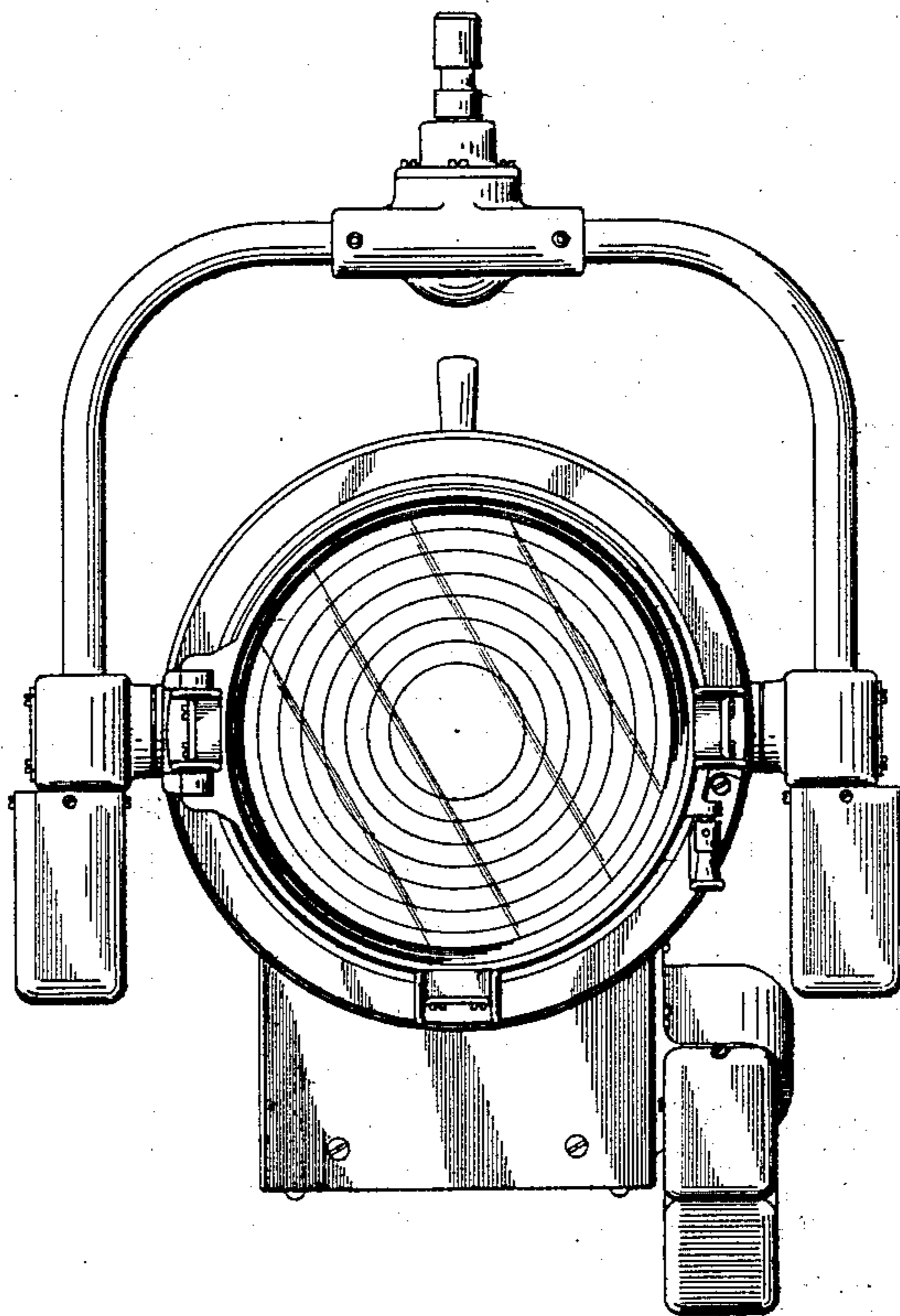
[57]

CLAIM

The ornamental design for an spotlight, as shown and described.

DESCRIPTION

FIG. 1 is a front elevational view of my new design for an spotlight;
FIG. 2 is a top plan view thereof;
FIG. 3 is a side elevational view thereof;
FIG. 4 is a side elevational view thereof, taken from the side opposite to that of FIG. 3;
FIG. 5 is a rear elevational view thereof; and
FIG. 6 is a bottom plan view thereof.



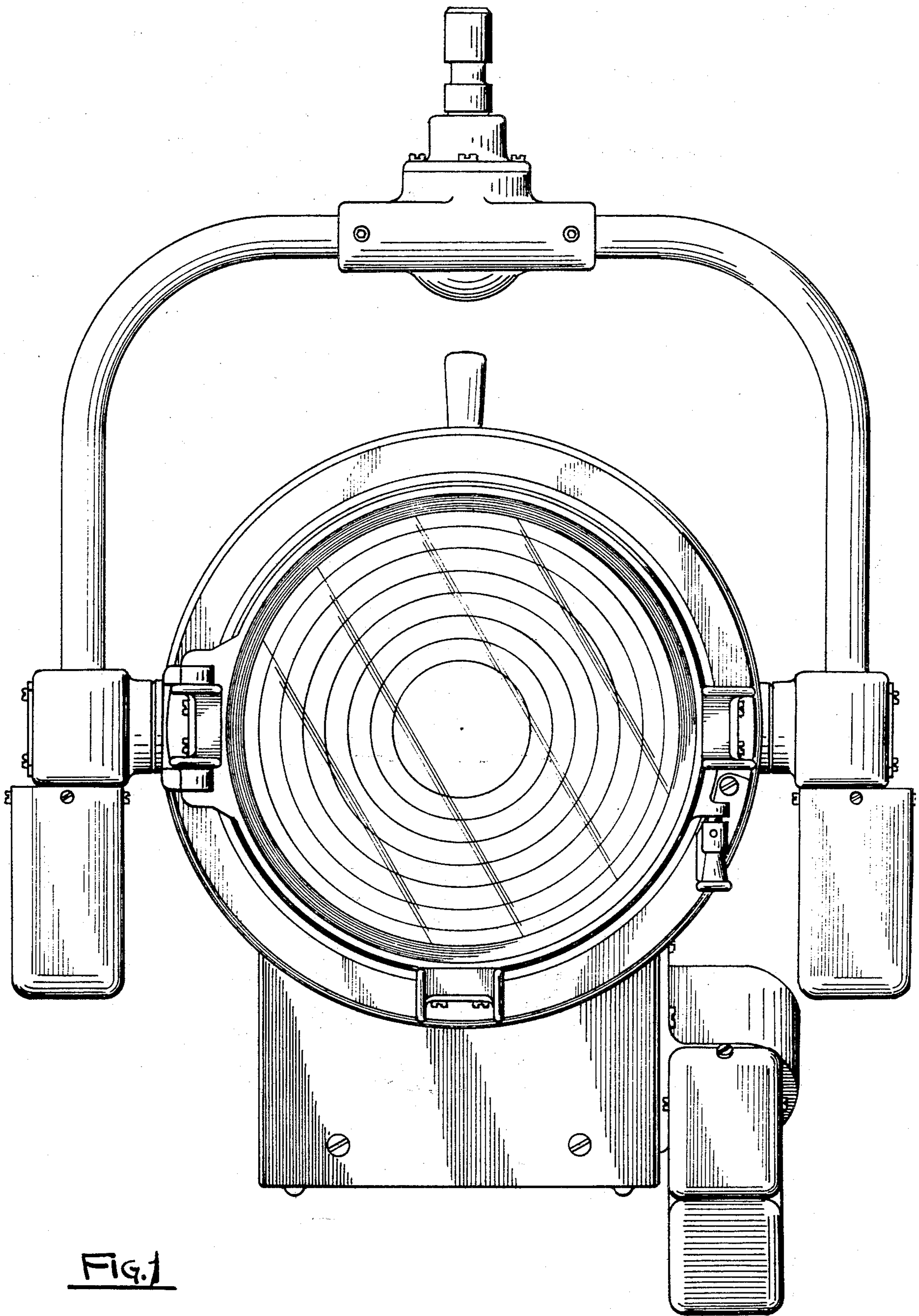


FIG. 1

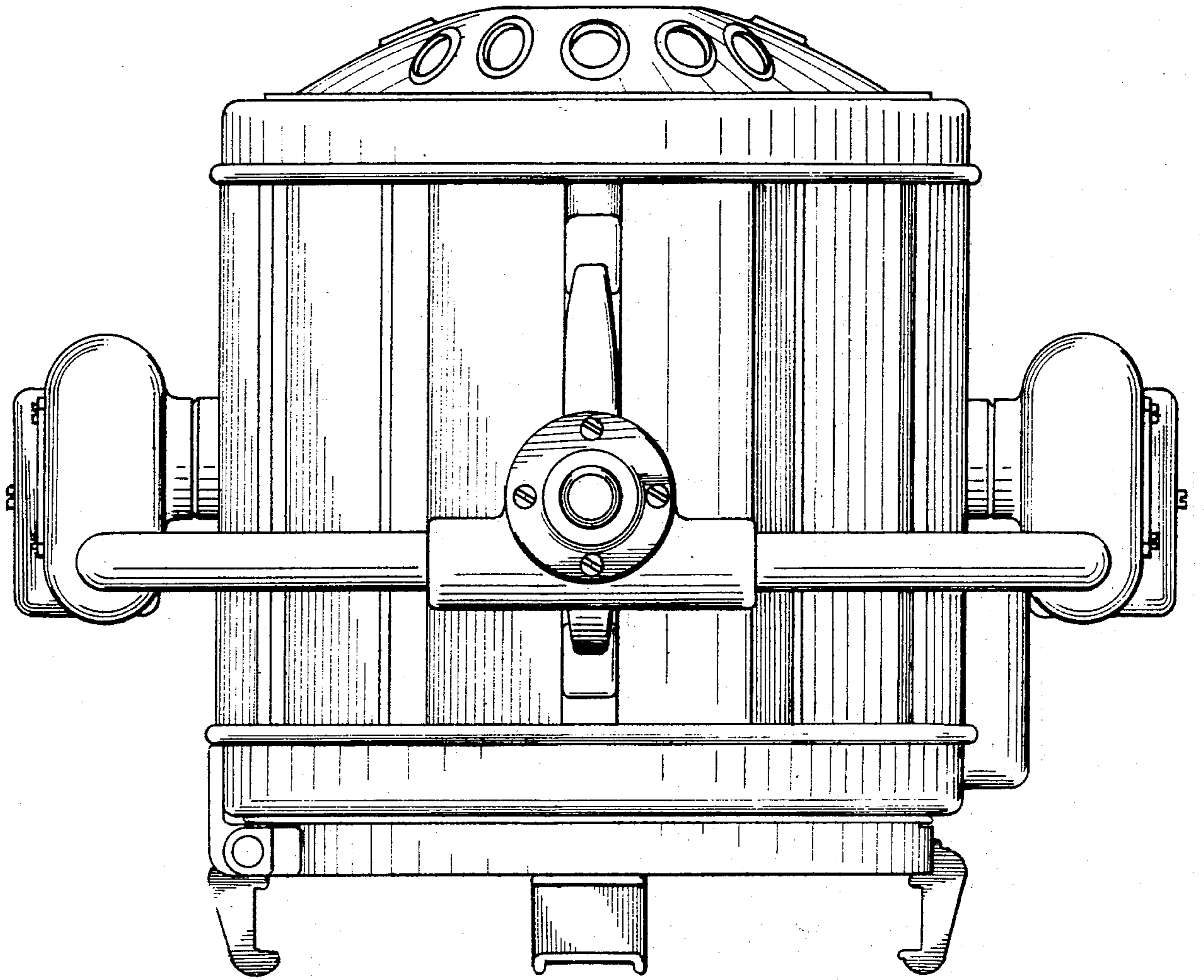


FIG. 2

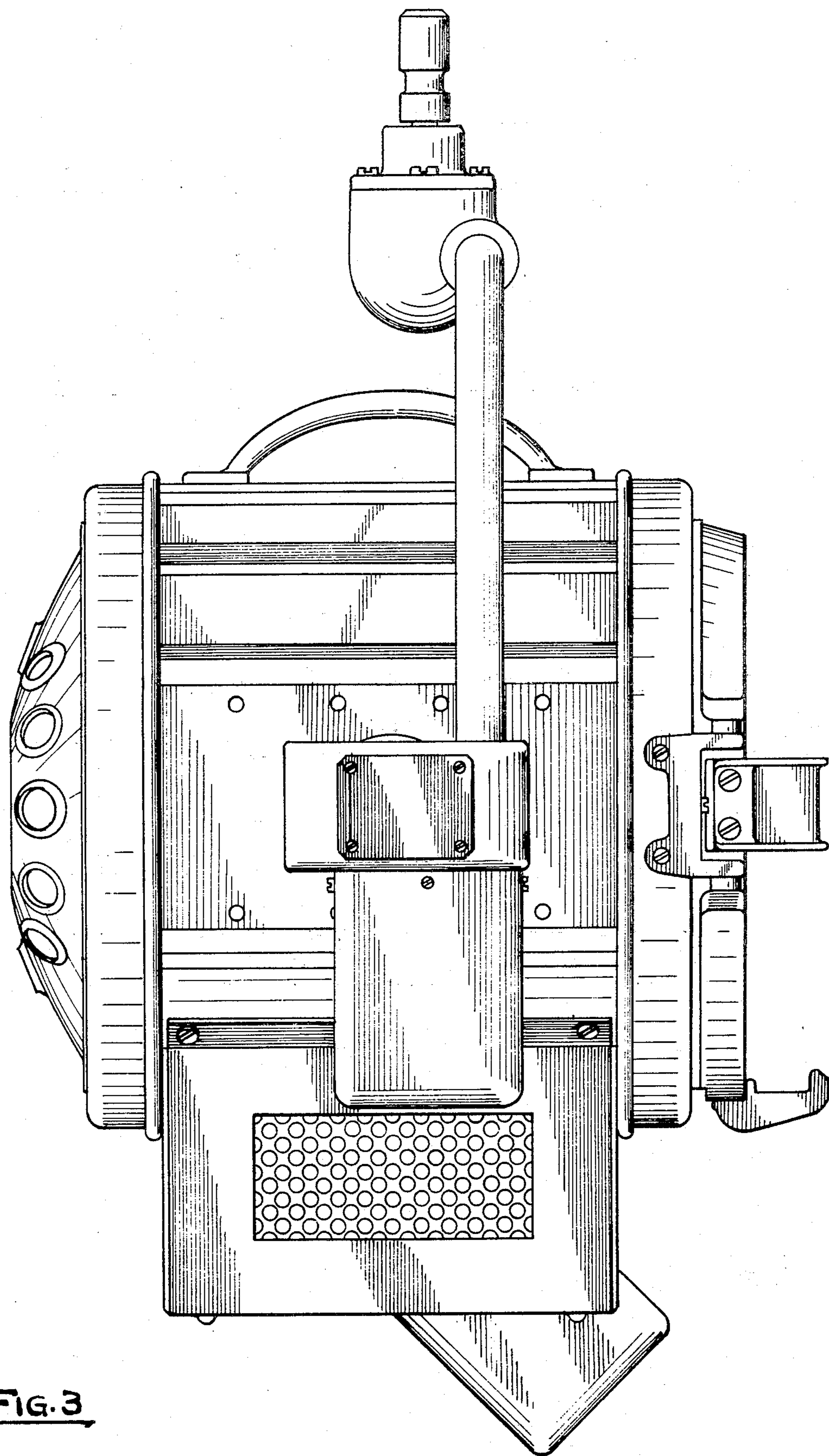


FIG. 3

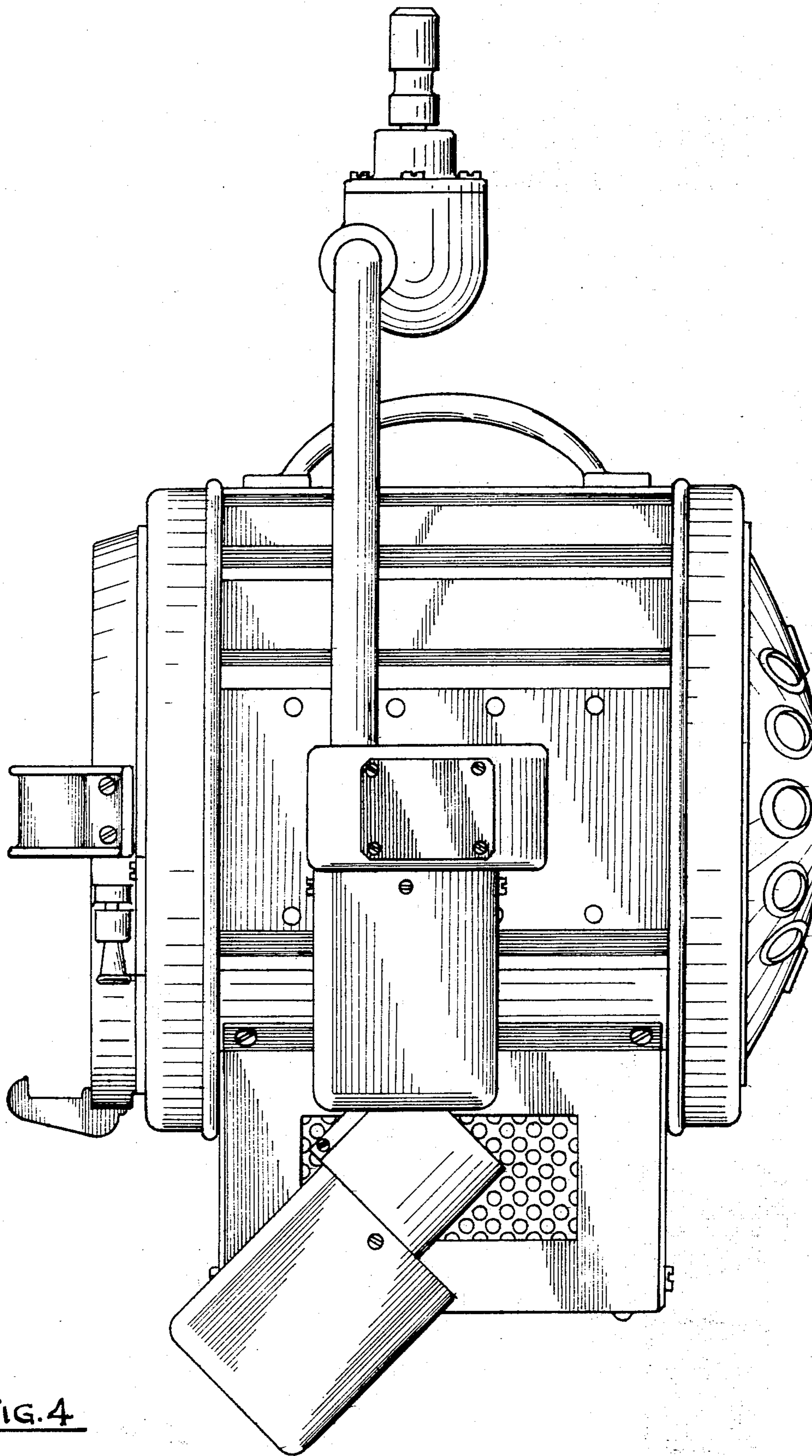


FIG. 4

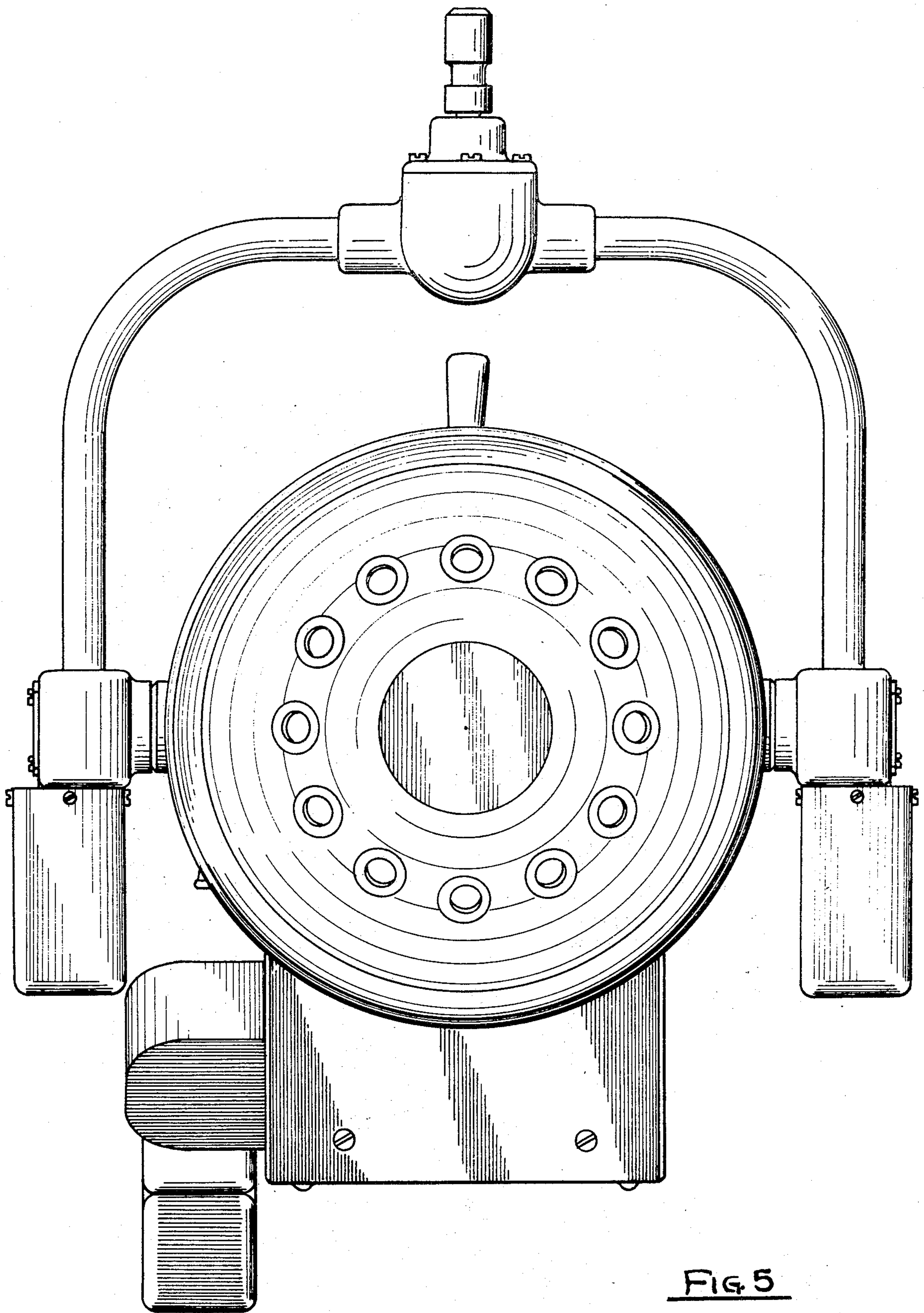


FIG. 5

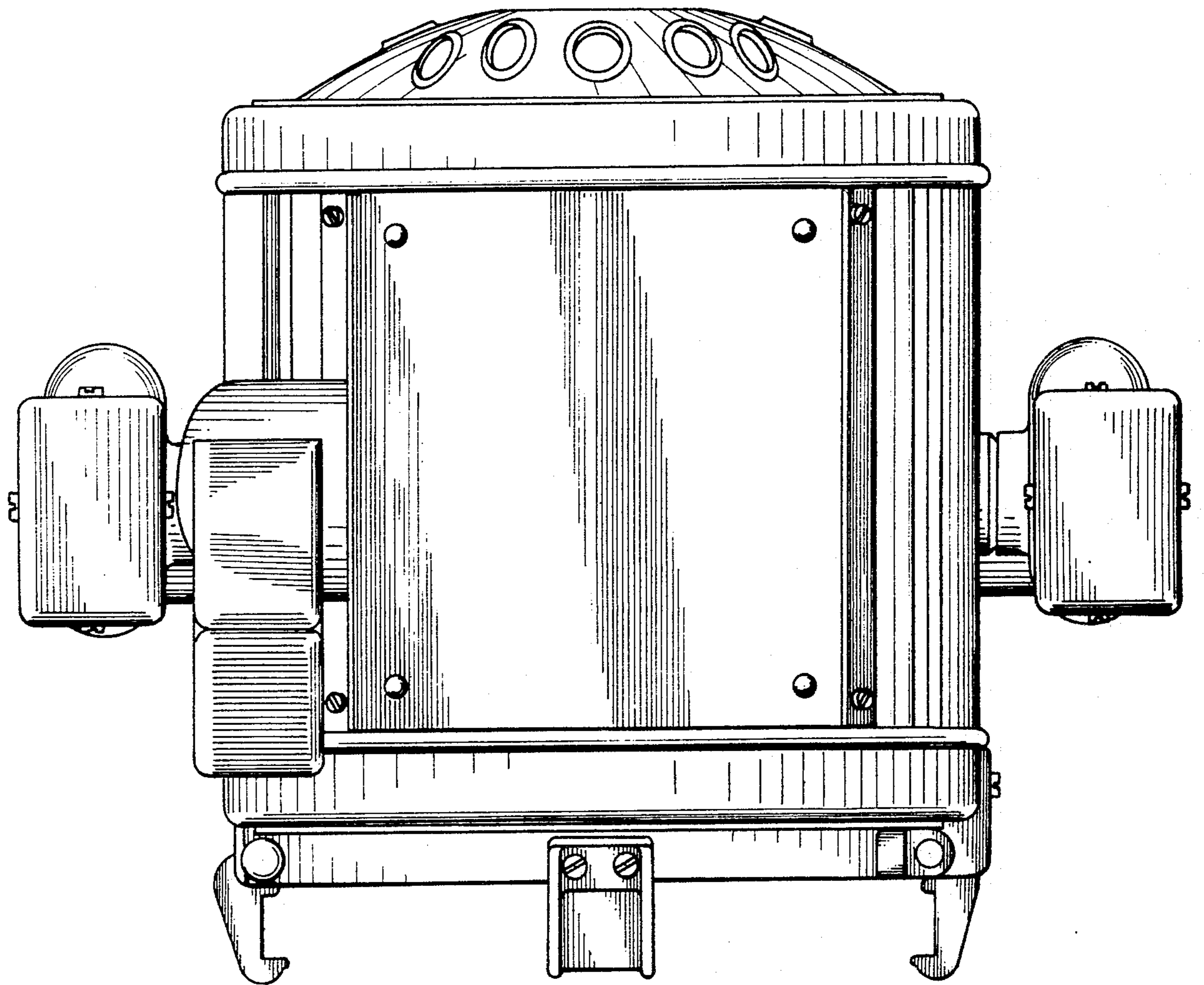


FIG. 6