

United States Patent [19]

Schneider et al.

[11] Patent Number: **Des. 286,576**

[45] Date of Patent: **** Nov. 4, 1986**

[54] COSMETIC APPLICATOR

[76] Inventors: **John B. Schneider; Carol A. Schneider**, both of 22 Valley View Dr., Hyde Park, N.Y. 12538

[**] Term: **14 Years**

[21] Appl. No.: **613,179**

[22] Filed: **May 23, 1984**

[52] U.S. Cl. **D28/7; D19/46; D19/49**

[58] Field of Search **D28/4, 7-10, D28/83, 91.1, 99; D19/41, 43, 45, 49, 54, 57, 46; 15/167 B; 132/1 R, 7, 88.5, 88.7, 79 B, 79 C, 82 A, DIG. 3**

[56] **References Cited**

U.S. PATENT DOCUMENTS

D. 150,371 7/1948 Priess D28/85

D. 164,548 9/1951 Bush D19/57
D. 177,659 5/1956 Bush D19/57
D. 261,693 11/1981 de Haseth D28/7 X

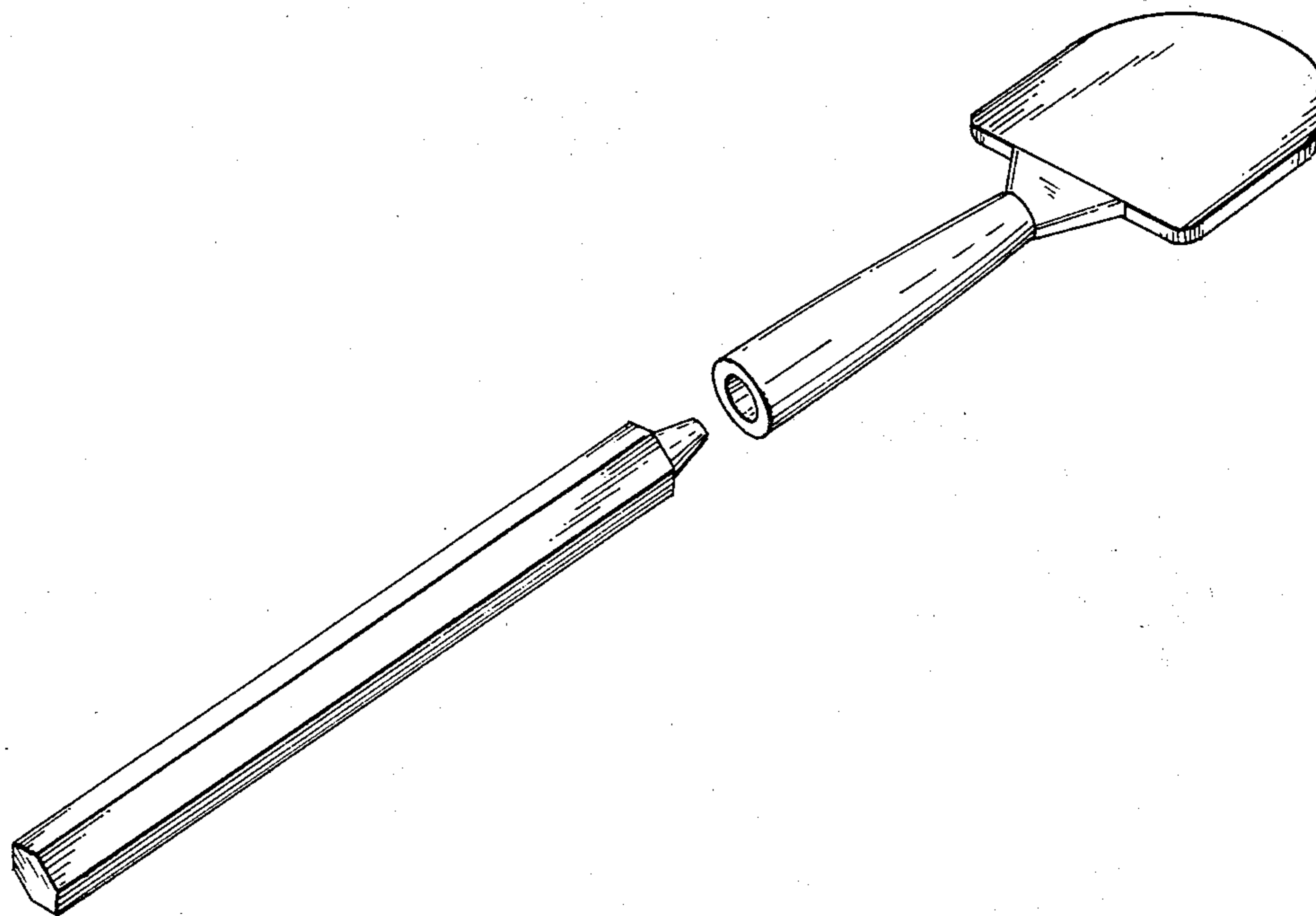
Primary Examiner—Louis S. Zarfes
Attorney, Agent, or Firm—Shlesinger, Arkwright, Garvey & Fado

[57] **CLAIM**

The ornamental design for a cosmetic applicator, as shown and described.

DESCRIPTION

FIG. 1 is an exploded perspective view of a cosmetic applicator showing our new design;
FIG. 2 is a perspective view thereof;
FIG. 3 is a rear elevational view of FIG. 2;
FIG. 4 is a front elevational view thereof;
FIG. 5 is a top plan view thereof;
FIG. 6 is a side elevational view thereof;
The side opposite FIG. 5 is a mirror image thereof.
The side opposite FIG. 6 is a mirror image thereof.



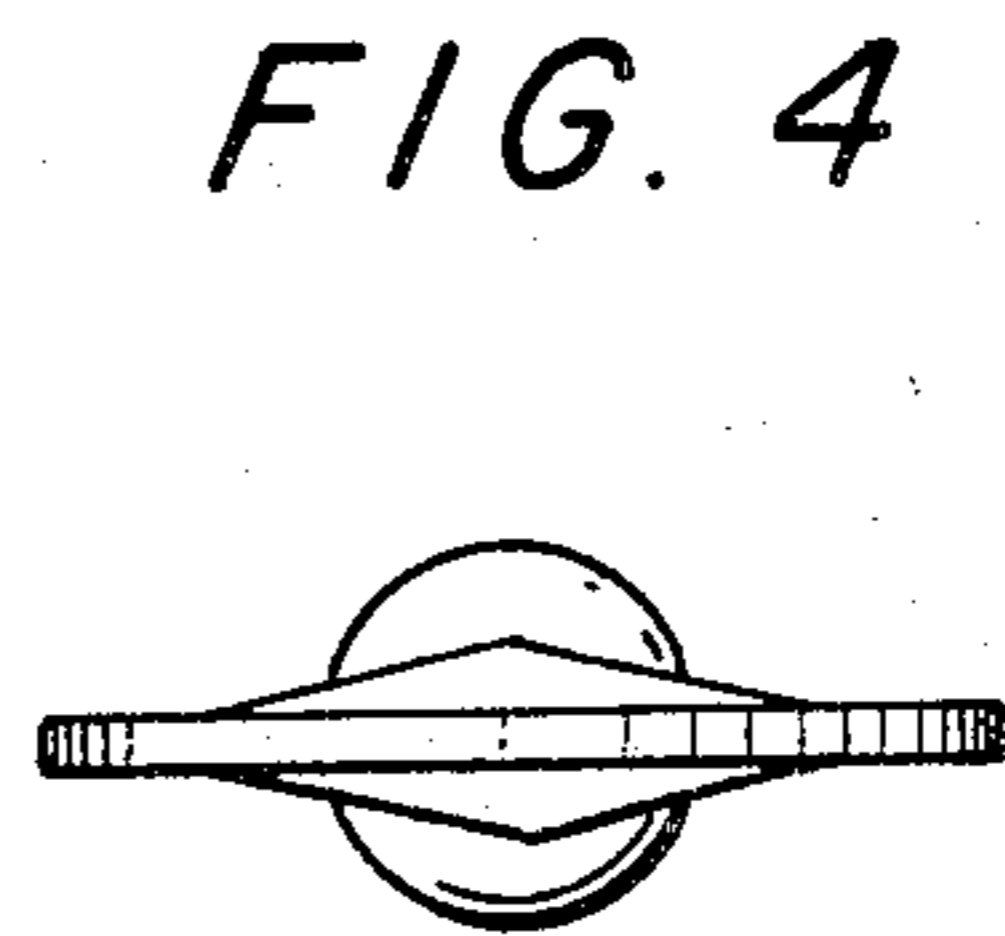
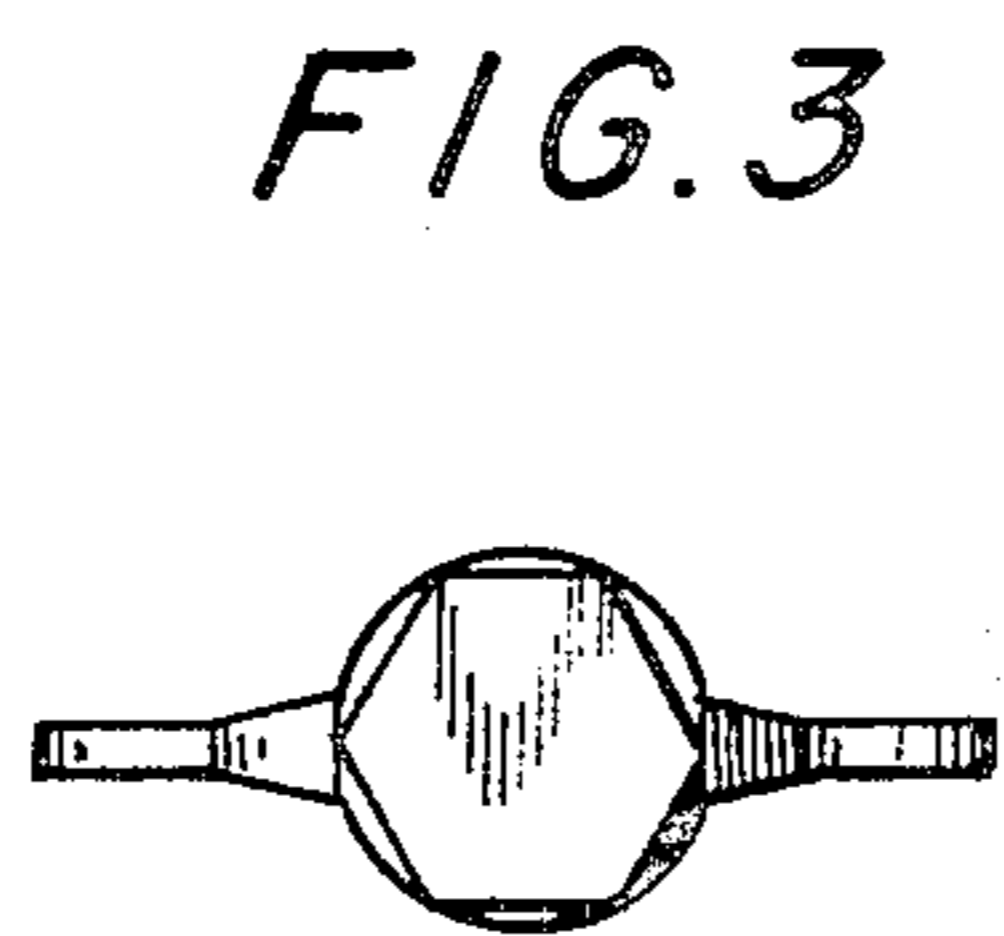
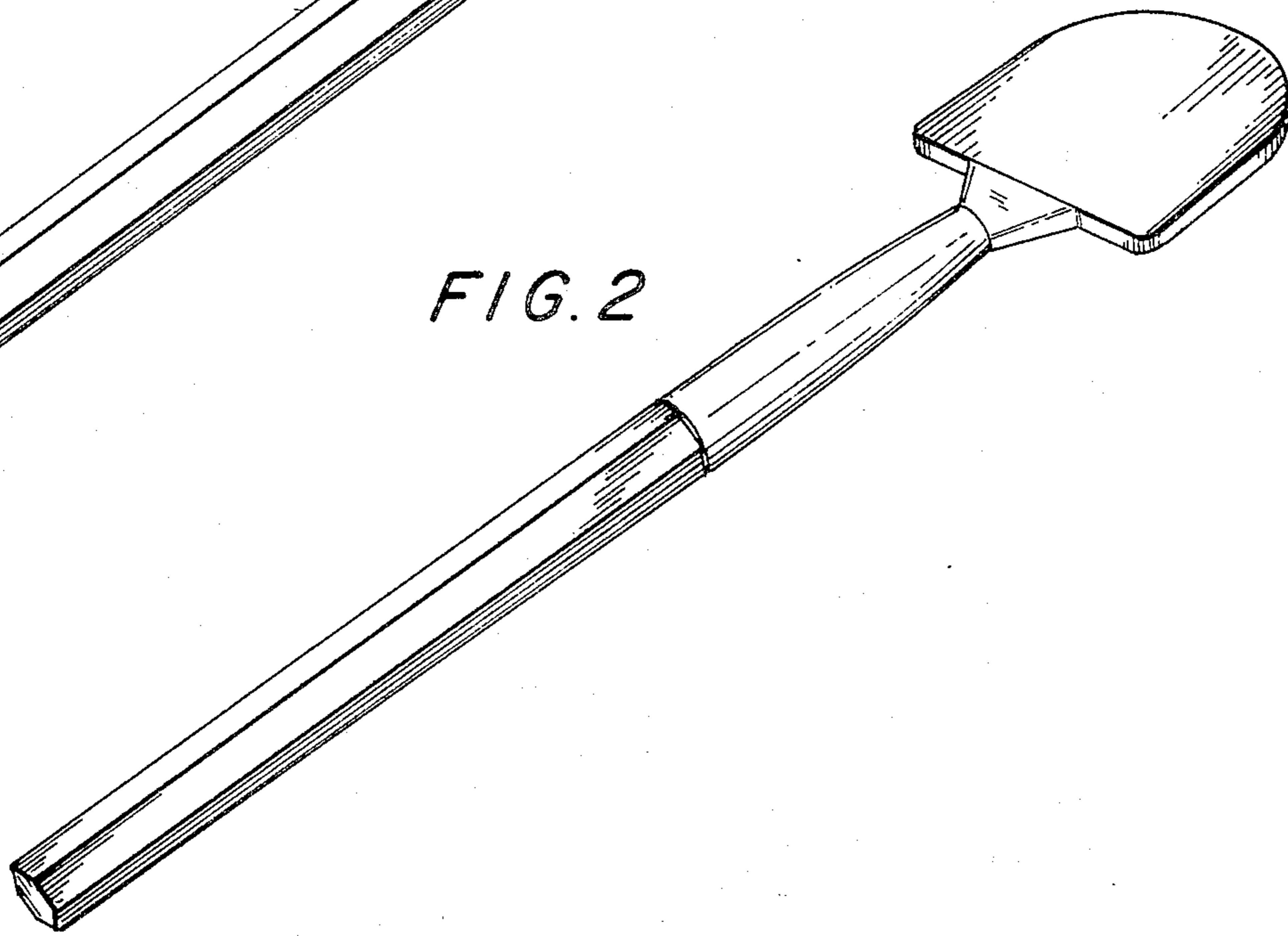
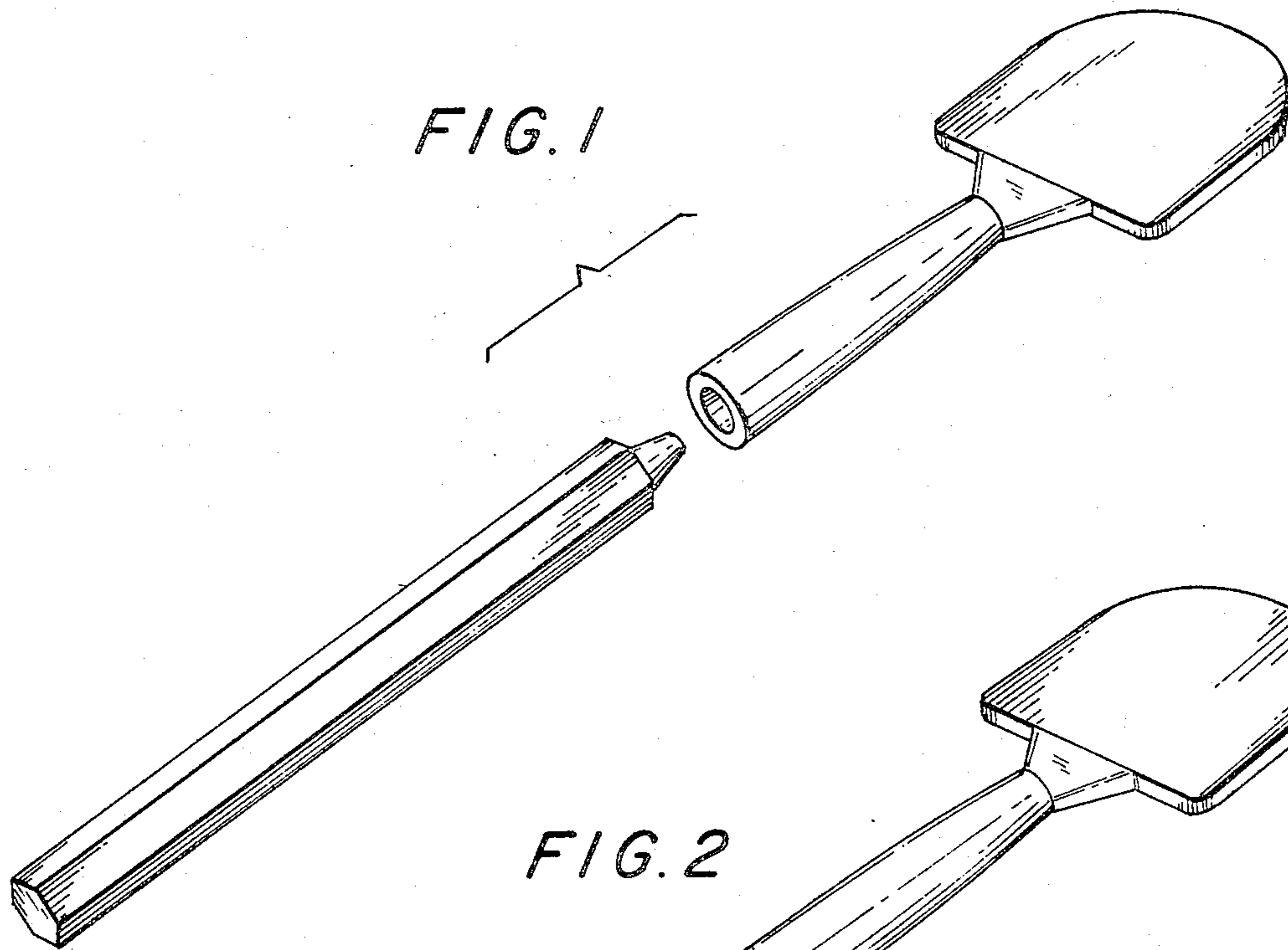


FIG. 5

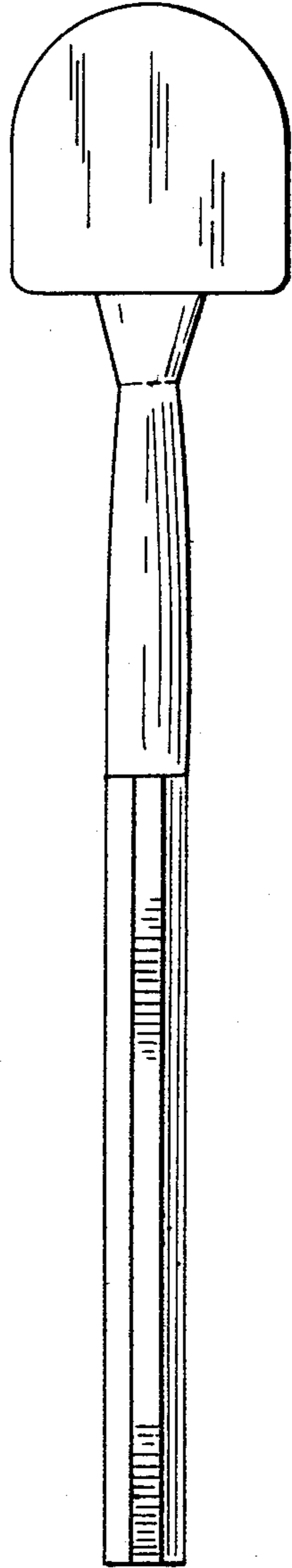


FIG. 6

