

[54] FOLDABLE TRESTLE

[75] Inventor: Bjorn Kilenstam, Ljungskile, Sweden

[73] Assignee: AB Profilproduktor, Ljungskile, Sweden

[**] Term: 14 Years

[21] Appl. No.: 591,861

[22] Filed: Mar. 21, 1984

[52] U.S. Cl. D25/67

[58] Field of Search 182/156, 154; D25/67; 108/115, 118

[56] References Cited

U.S. PATENT DOCUMENTS

2,905,263 9/1959 Andersson 182/154

FOREIGN PATENT DOCUMENTS

1040084 9/1983 U.S.S.R. 182/154

Primary Examiner—A. Hugo Word
Attorney, Agent, or Firm—Hayes, Davis & Soloway

[57] CLAIM

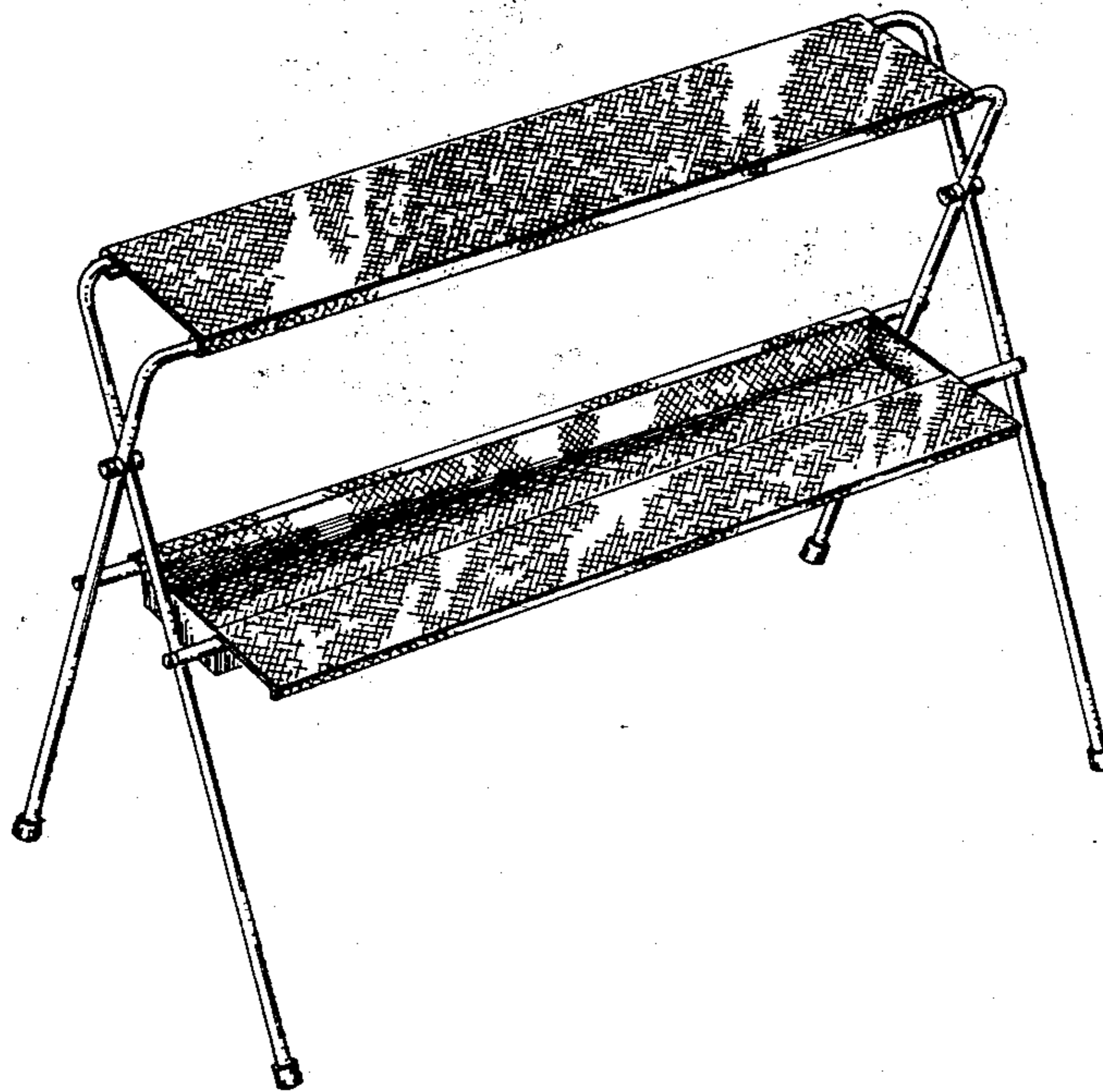
The ornamental design for a foldable trestle, as shown and described.

DESCRIPTION

FIG. 1 is a perspective view of the foldable trestle showing top, front and left end, the right end is a mirror image of the left end of the foldable trestle;

FIG. 2 is a perspective view showing the bottom, rear and left end; and

FIG. 3 is a perspective view of the foldable trestle of FIGS. 1 and 2 in folded condition showing the top, rear and left end.



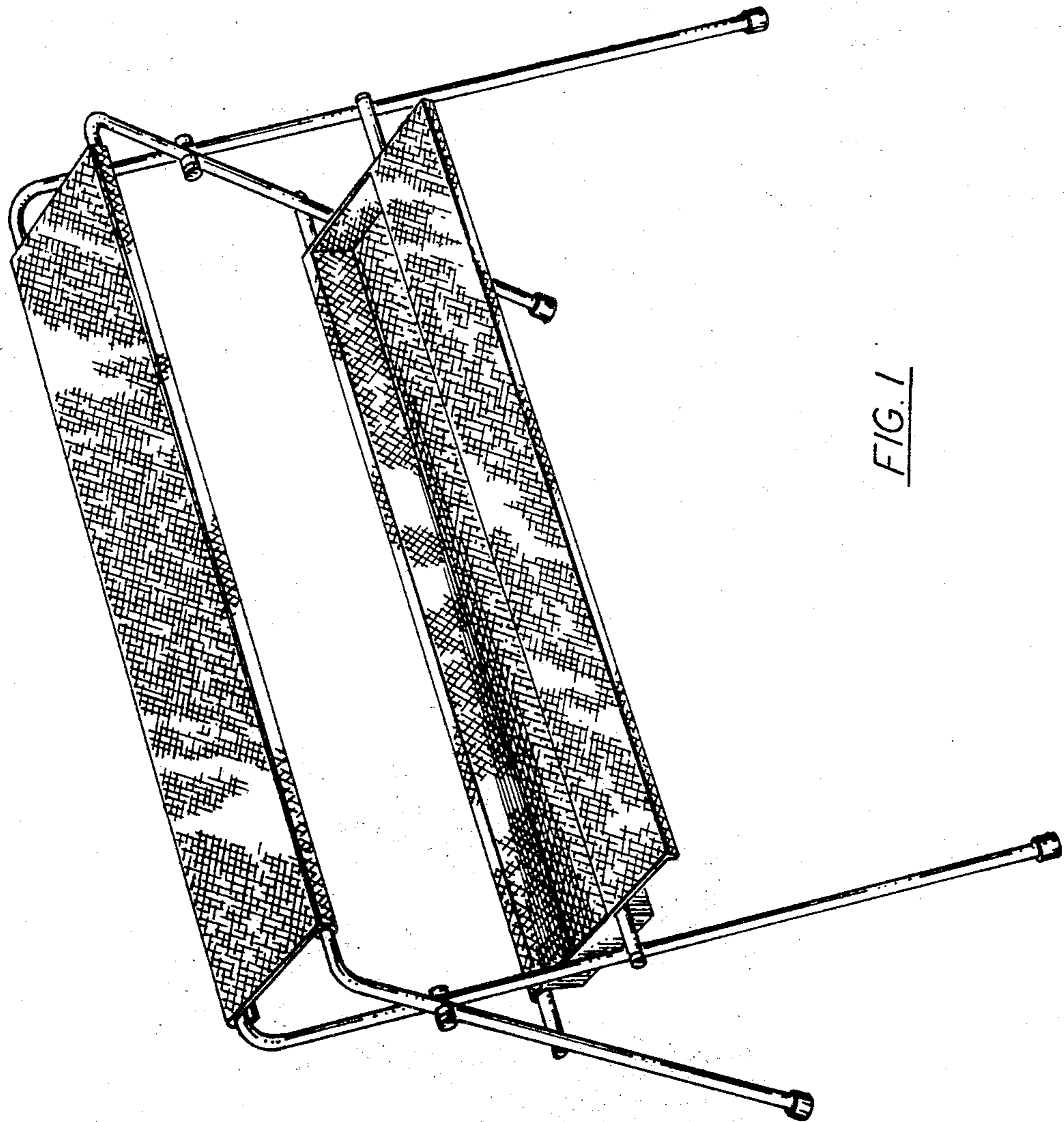


FIG. 1

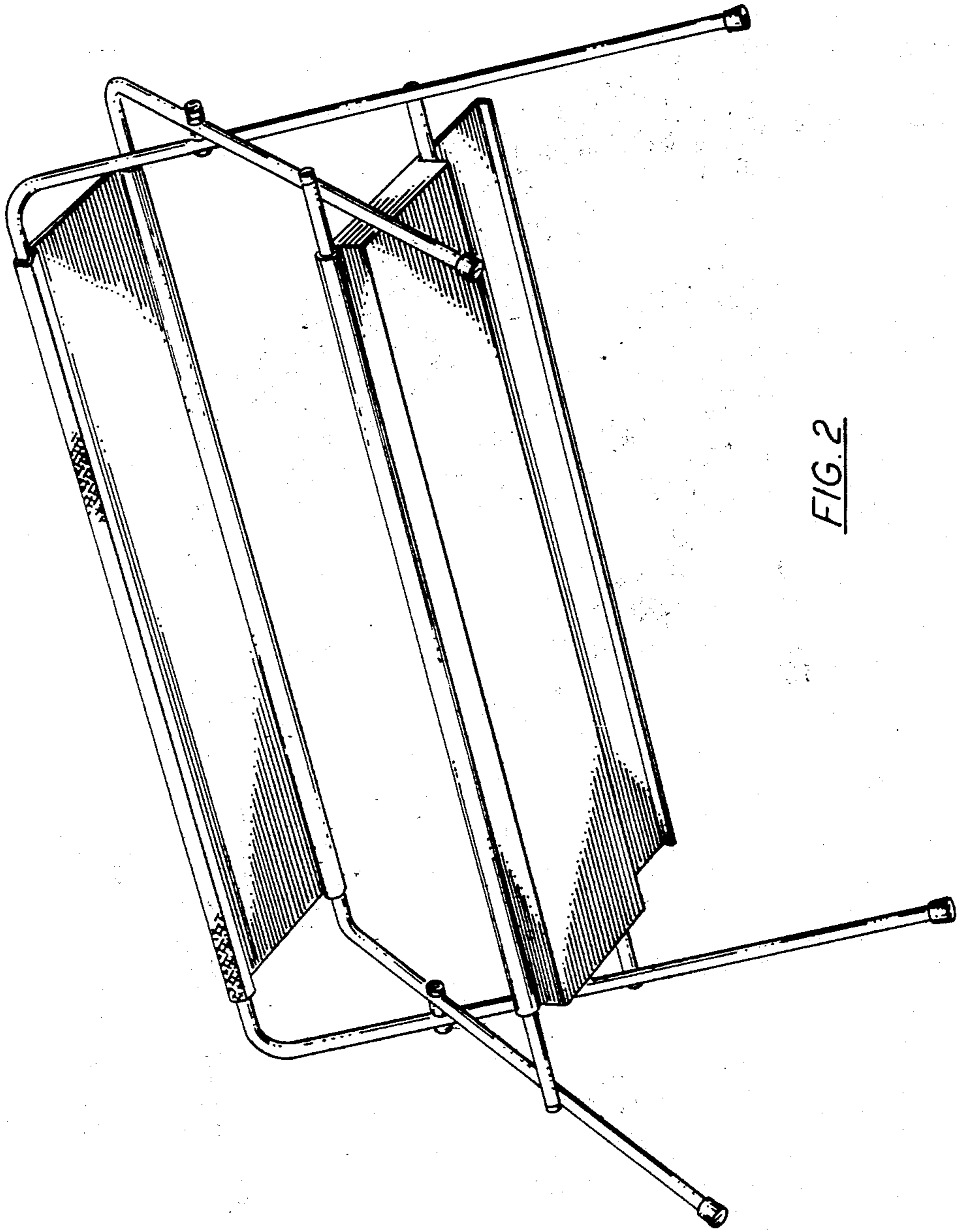


FIG. 2

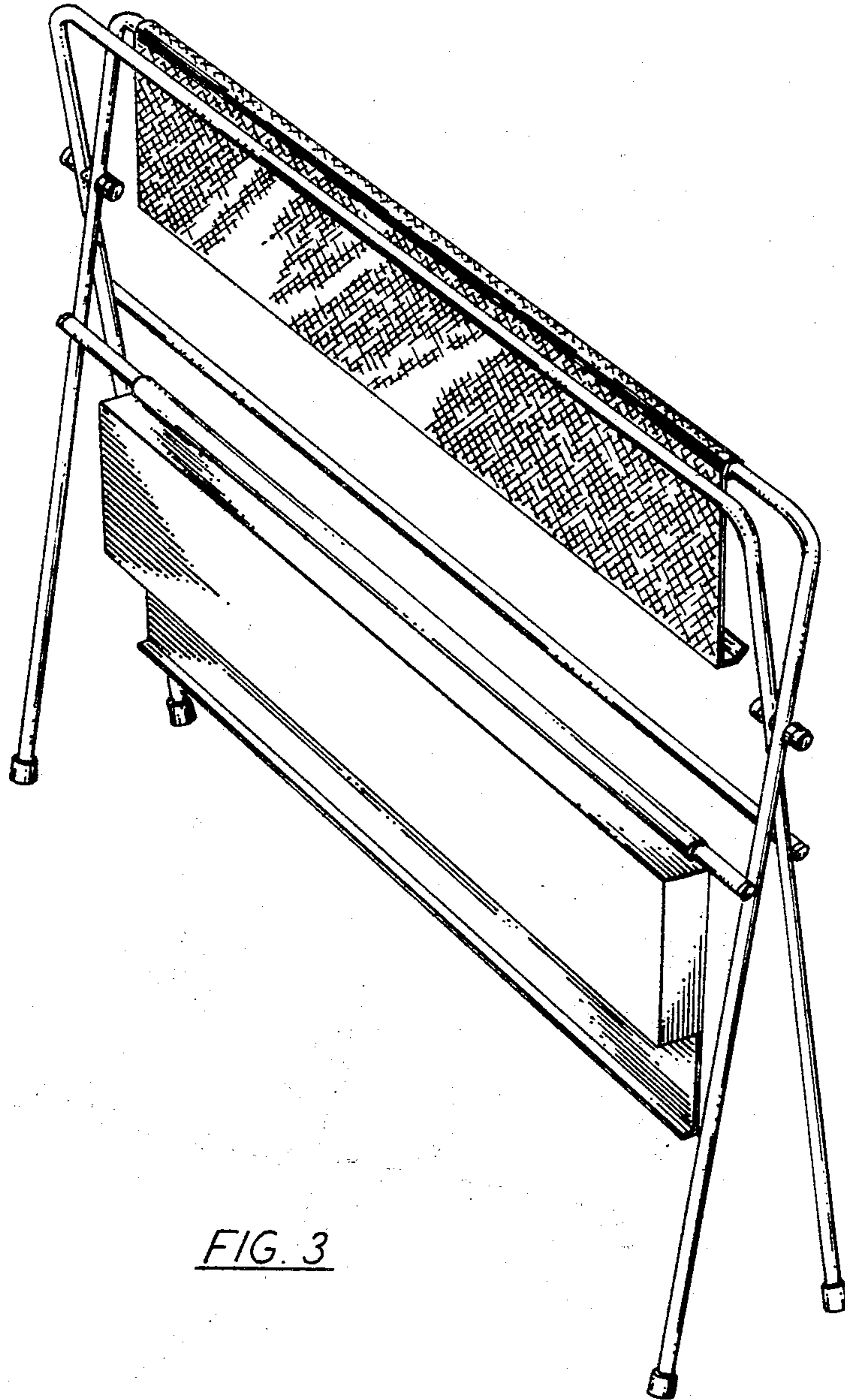


FIG. 3