

[54] SURGICAL TROCAR

[75] Inventors: Philip R. Lichtman, Newton; John C. Strahan, Arlington, both of Mass.

[73] Assignee: Acufex Microsurgical Inc., Norwood, Mass.

[\*] Notice: The portion of the term of this patent subsequent to Oct. 28, 2000 has been disclaimed.

[\*\*] Term: 14 Years

[21] Appl. No.: 494,889

[22] Filed: May 16, 1983

[52] U.S. Cl. .... D24/28

[58] Field of Search ..... D24/8, 17, 23-30, D24/41, 59; 128/329, 303-314; 604/264, 270, 272, 73

[56] References Cited

U.S. PATENT DOCUMENTS

- D. 120,116 4/1940 Young ..... D8/30
- D. 123,578 11/1940 Schoenberg ..... D8/30
- D. 277,608 2/1985 Ekbladh et al. .... D24/59

OTHER PUBLICATIONS

V. Mueller & Co. Catalogue #65 (1964), (p. 324: Trocars).  
 Codman Catalogue for Surgical Products (1984), (p. 550: Trocars).

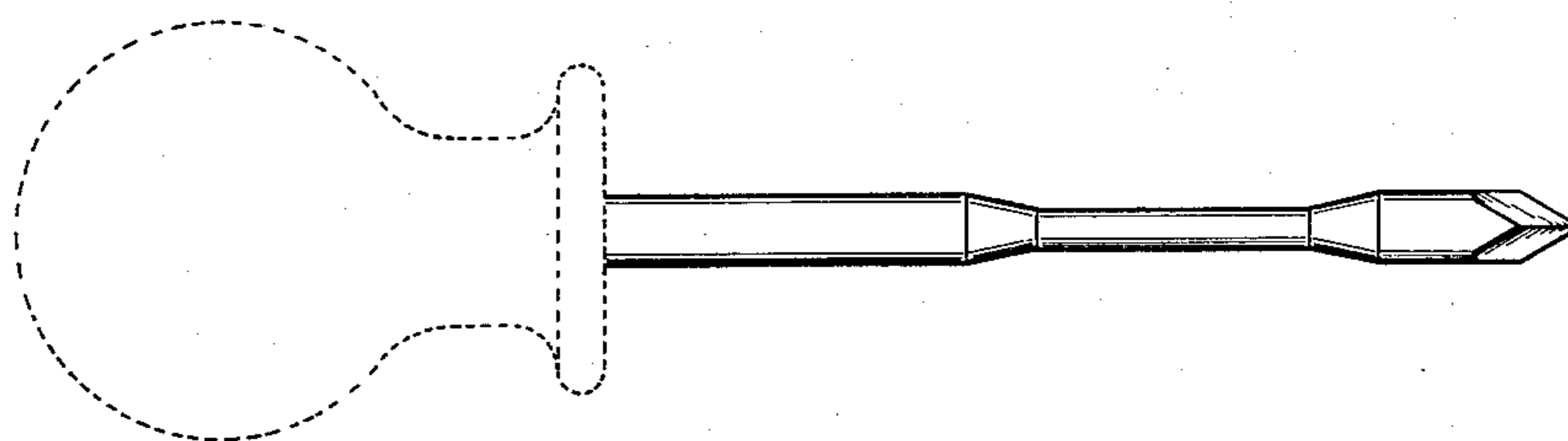
Primary Examiner—Wallace R. Burke  
 Assistant Examiner—Brian N. Vinson  
 Attorney, Agent, or Firm—Schiller & Pandiscio

[57] CLAIM

The ornamental design for a surgical trocar, as shown and described.

DESCRIPTION

FIG. 1 is a side view of a surgical trocar embodying our new design; and  
 FIG. 2 is an end view thereof.  
 The broken line showing of a handle is for illustrative purposes only and forms no part of the claimed design.



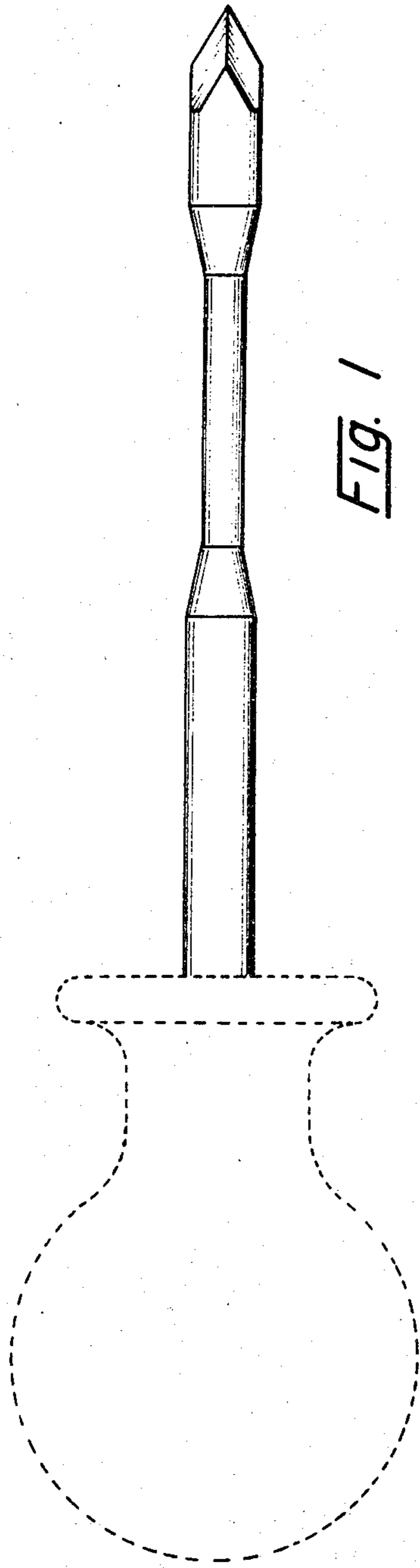


FIG. 1

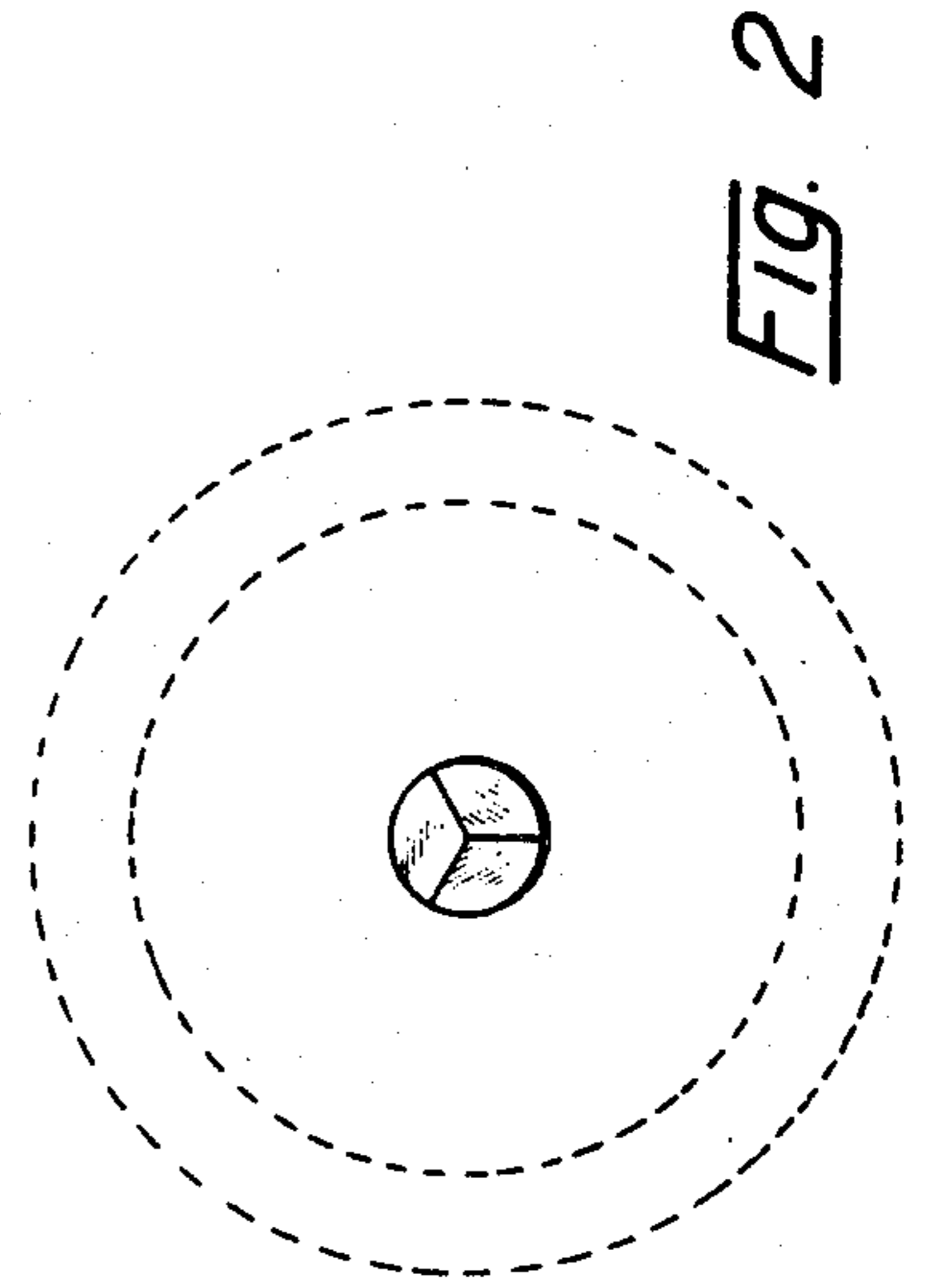


FIG. 2