

[54] INDOOR FAN COIL CABINET

[75] Inventors: Alan S. Drucker, Dewitt; King H. Kwok, Liverpool, both of N.Y.

[73] Assignee: Carrier Corporation, Syracuse, N.Y.

[**] Term: 14 Years

[21] Appl. No.: 618,655

[22] Filed: Jun. 8, 1984

[52] U.S. Cl. D23/155

[58] Field of Search D23/139-165, D23/109-110, 117, 107, 119, 127; 98/38.3, 38.7, 39.1, 40.1-40.9, 42.06-42.12

[56] References Cited

U.S. PATENT DOCUMENTS

1,891,796	12/1932	Carder	98/39.1
4,132,354	1/1979	Kenworthy	98/39.1
4,372,197	2/1983	Augsburger	98/39.1
4,406,216	9/1983	Hott et al.	98/39.1

OTHER PUBLICATIONS

1981 Sweets Catalog File: Division 15.3, p. 10 Modubox Accessories—"Octopus".

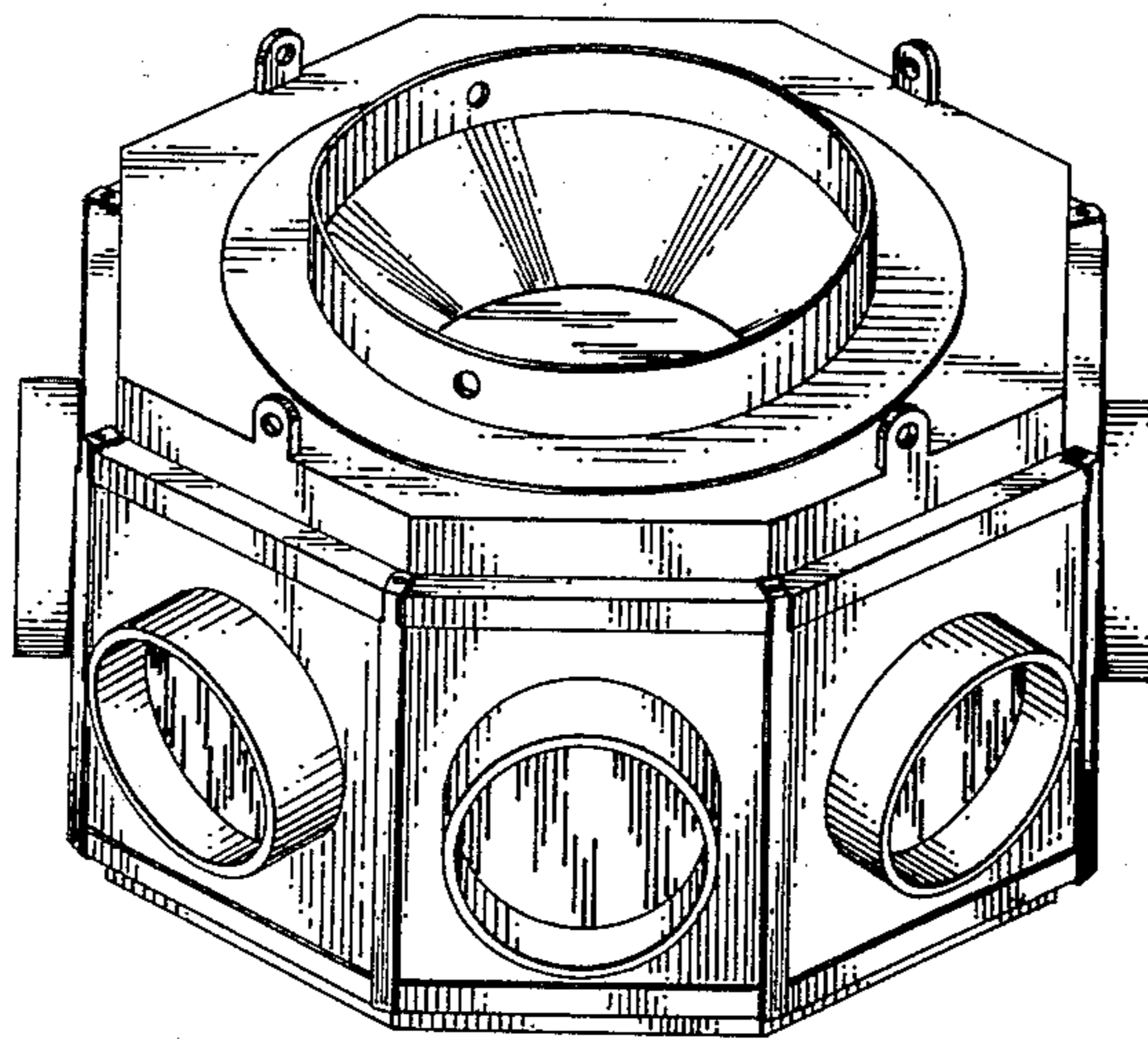
Primary Examiner—Wallace R. Burke
Assistant Examiner—Brian N. Vinson
Attorney, Agent, or Firm—Dana F. Bigelow

[57] CLAIM

The ornamental design for an indoor fan coil cabinet, as shown and described.

DESCRIPTION

FIG. 1 is a top perspective view of an indoor fan coil cabinet showing my new design; FIG. 2 is a top plan view thereof; FIG. 3 is a side elevation view thereof, with all sides of the cabinet being identical; FIG. 4 is a bottom plan view thereof; and FIG. 5 is a bottom perspective view thereof. The broken line showing in FIGS. 1-3 is for illustrative purposes and forms no part of the claimed design.



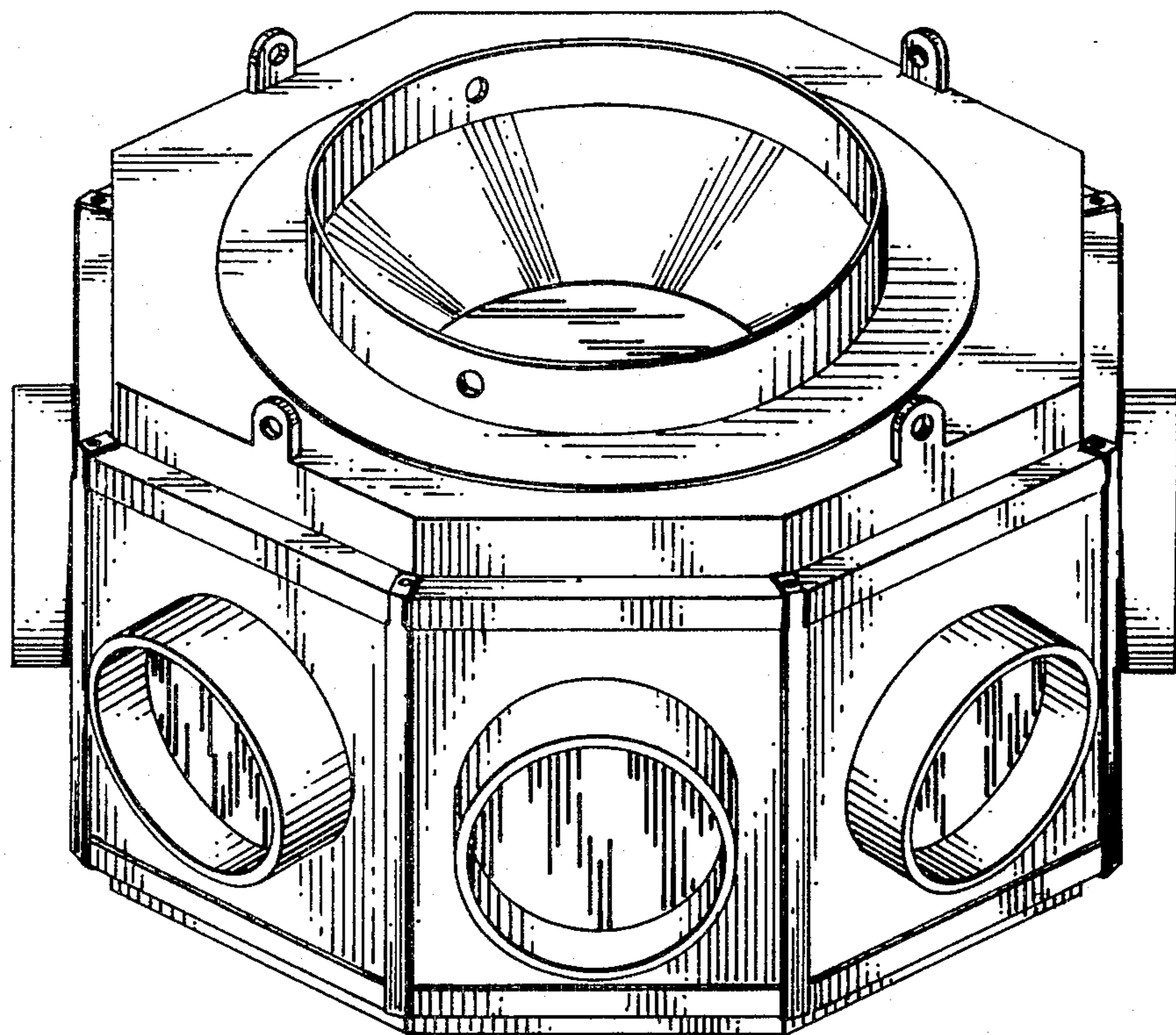


FIG. 1

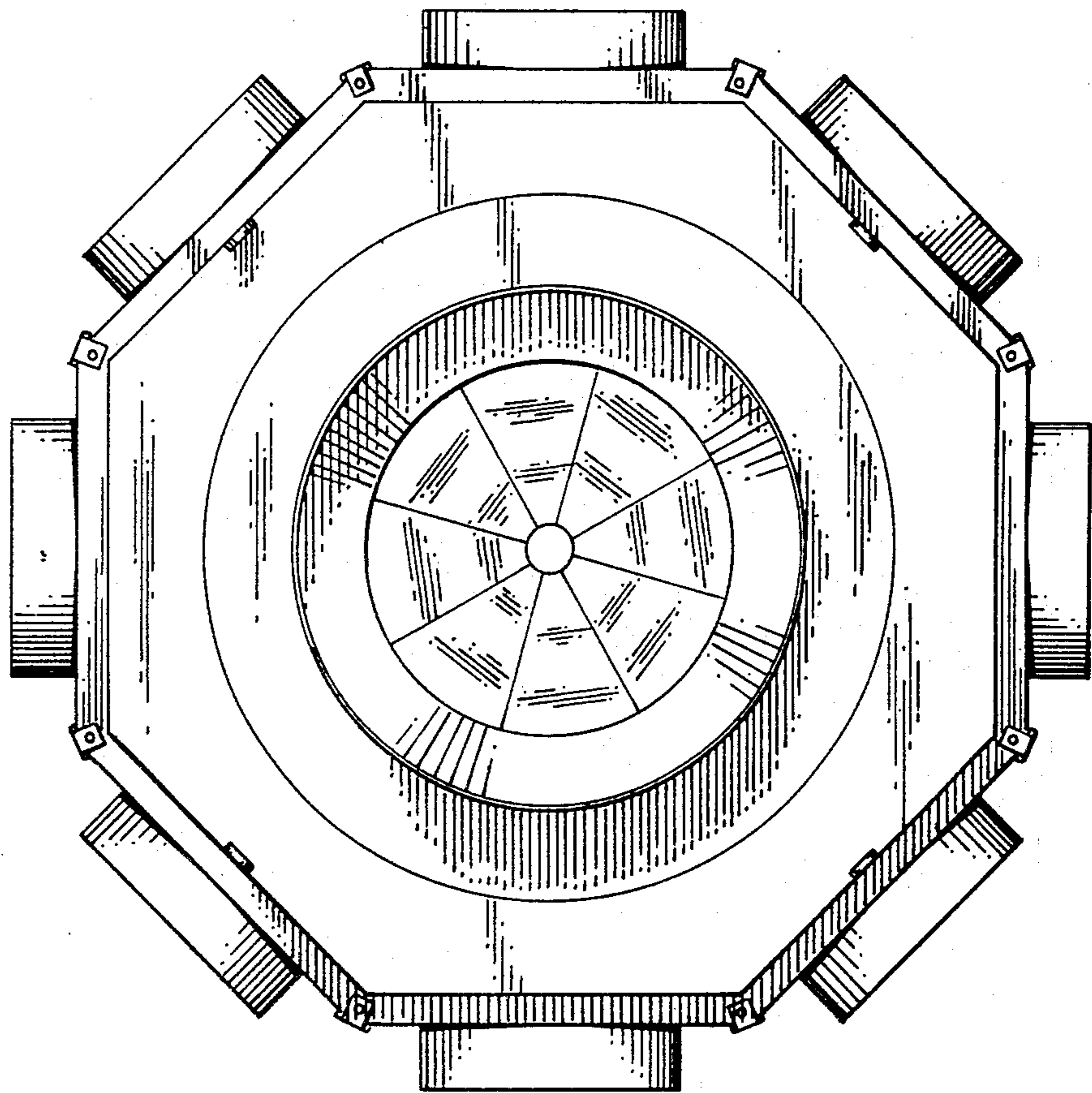


FIG. 2

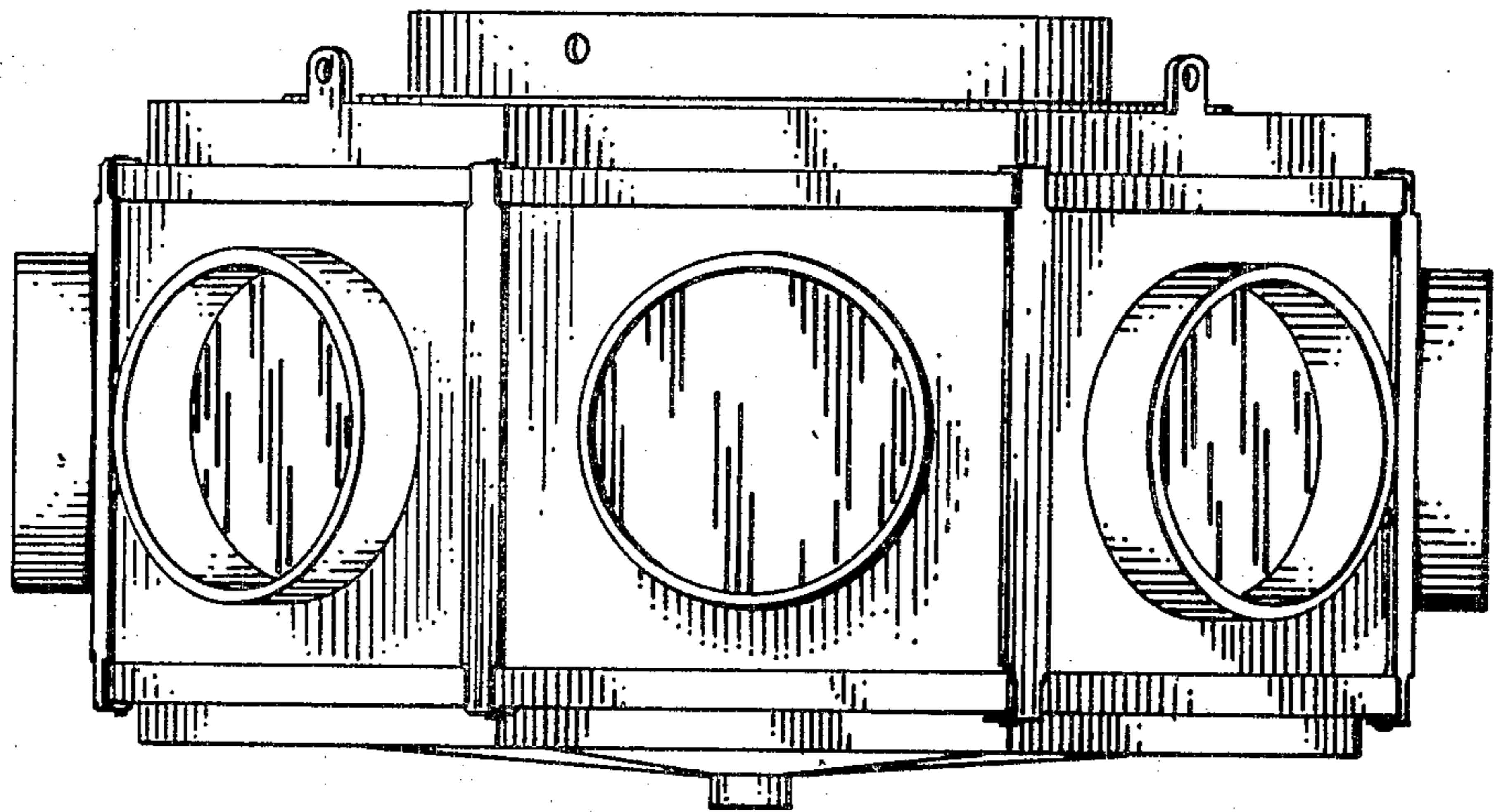


FIG. 3

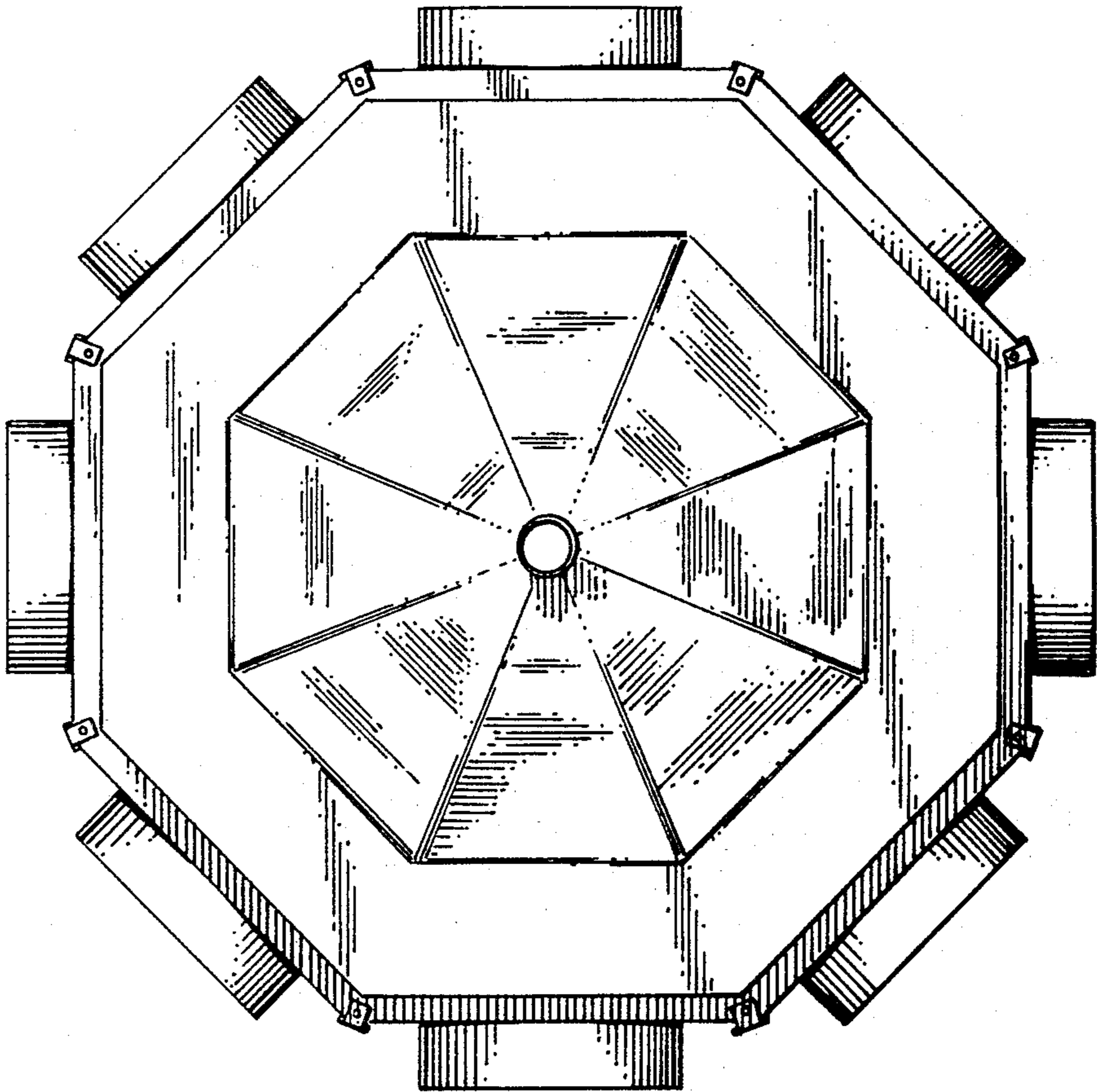


FIG. 4

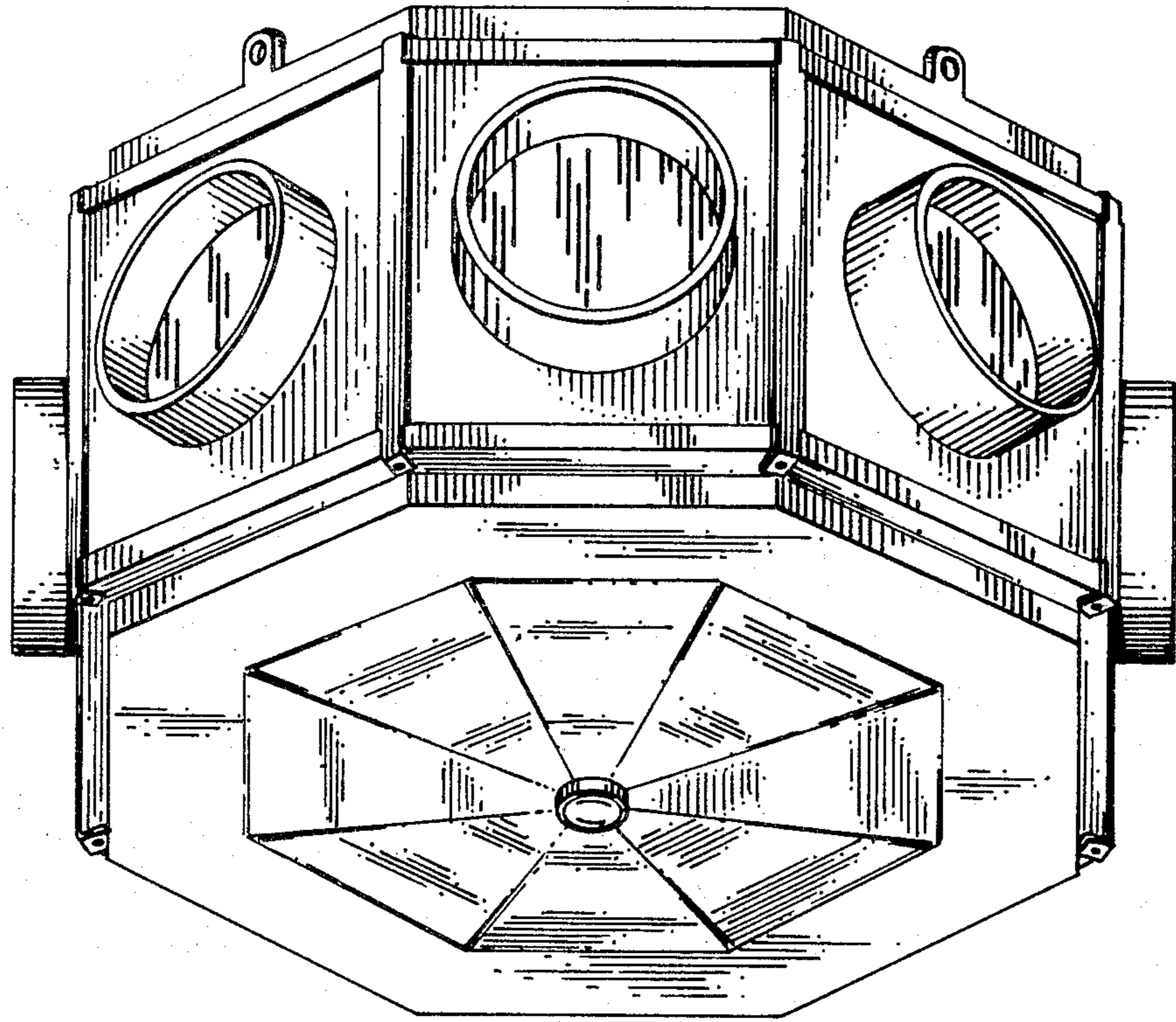


FIG. 5