

United States Patent [19]

Williams et al.

[11] Patent Number: **Des. 286,556**

[45] Date of Patent: **** Nov. 4, 1986**

[54] TOY RATTLE

[75] Inventors: **David M. Williams, New York, N.Y.;**
Danny E. Simpson, Baltimore, Md.

[73] Assignee: **Johnson & Johnson Baby Products**
Company, New Brunswick, N.J.

[**] Term: **14 Years**

[21] Appl. No.: **631,273**

[22] Filed: **Jul. 16, 1984**

[52] U.S. Cl. **D21/65**

[58] Field of Search **D21/64, 65; 446/227,**
446/264, 267, 397, 418, 419, 420, 421, 422

[56] **References Cited**

U.S. PATENT DOCUMENTS

D. 153,571 4/1949 Givens D21/65

D. 162,947 4/1951 Goodman D21/65
D. 254,795 4/1980 Chase et al. D21/65
1,223,507 4/1917 Mathias 446/419

Primary Examiner—Charles A. Rademaker
Attorney, Agent, or Firm—Lawrence D. Schuler

[57] **CLAIM**

The ornamental design for a toy rattle, substantially as shown and described.

DESCRIPTION

FIG. 1 is a perspective view of a toy rattle showing our new design;
FIG. 2 is a top plan view thereof;
FIG. 3 is a front elevational view thereof, the side opposite being substantially a mirror image;
FIG. 4 is a right side elevational view thereof, the side opposite being substantially a mirror image; and
FIG. 5 is a bottom plan view thereof.

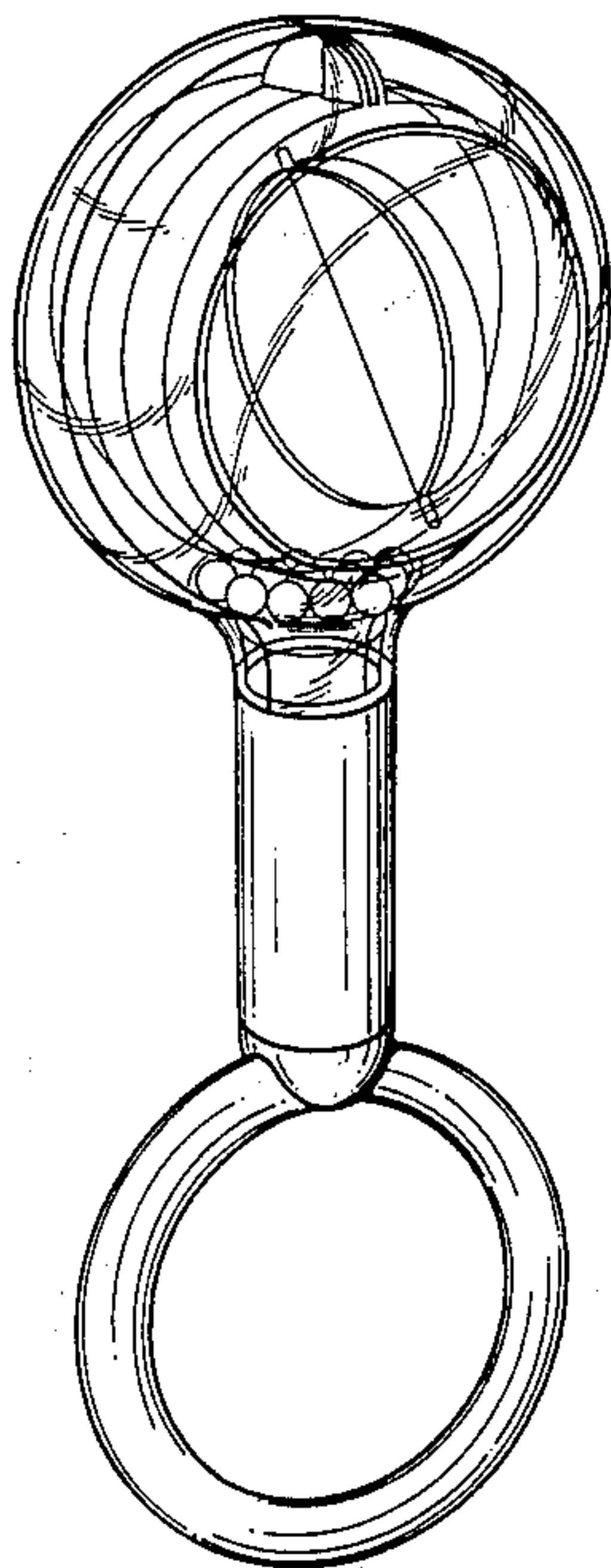


FIG-1

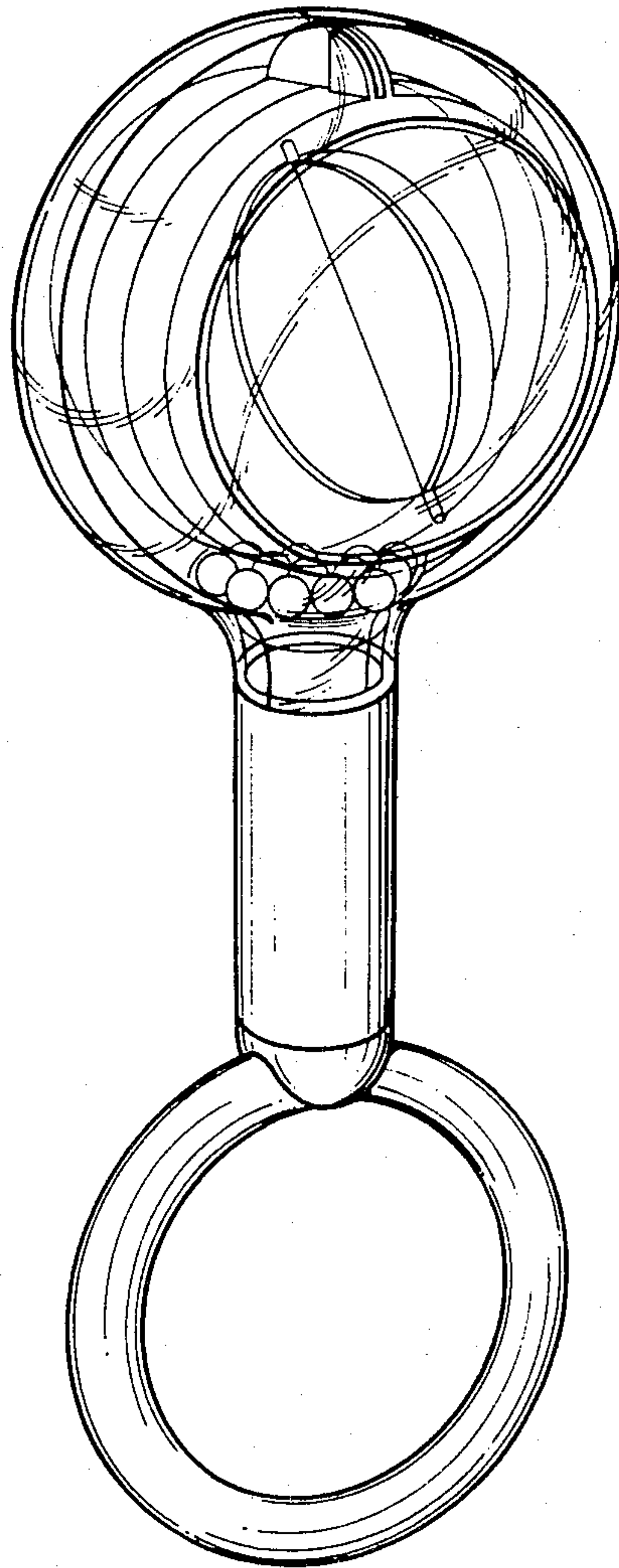


FIG-2

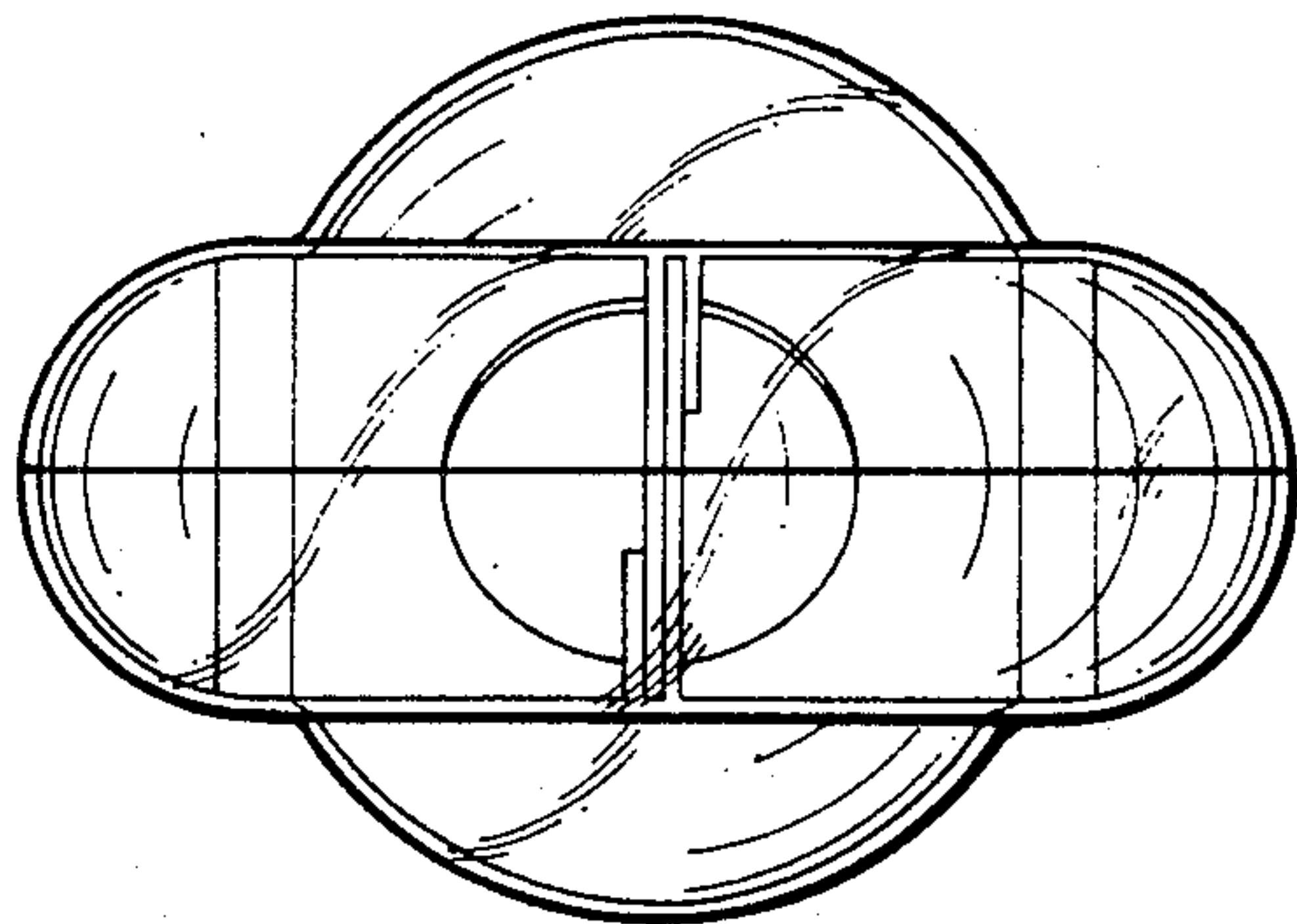


FIG-3

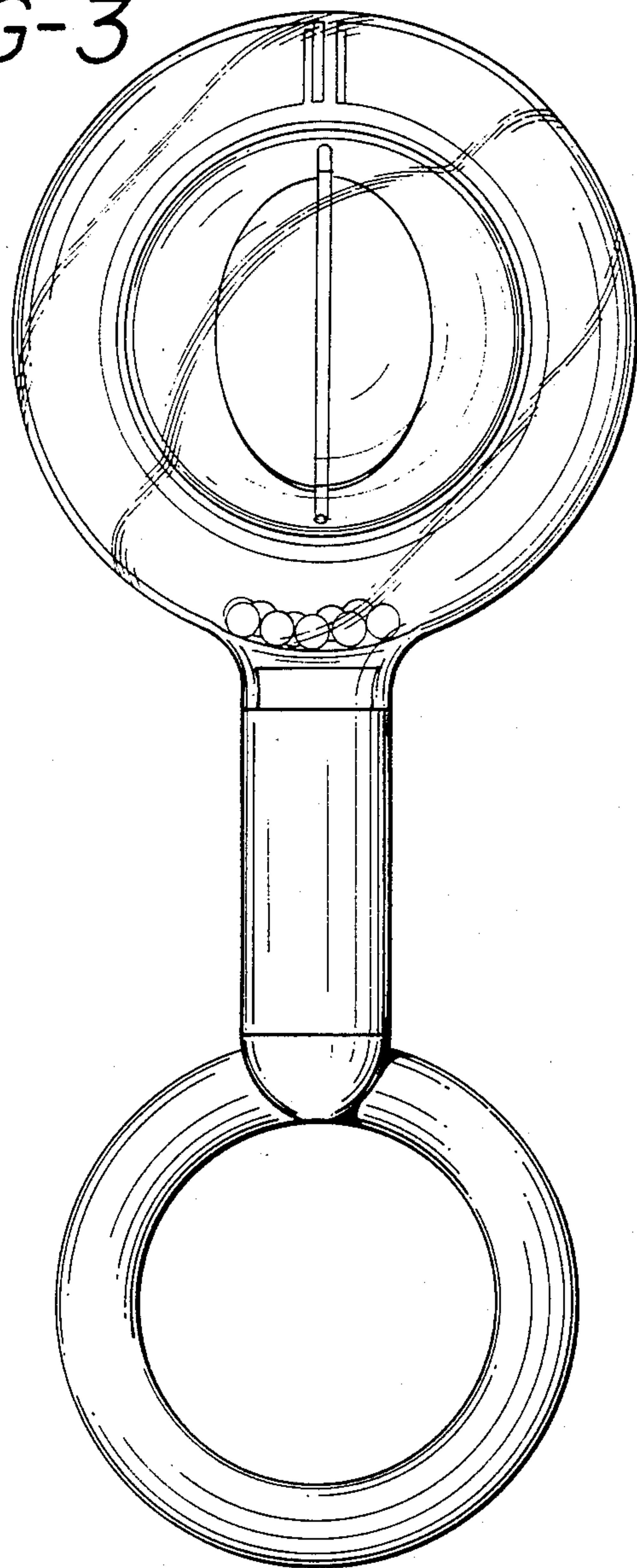


FIG-4

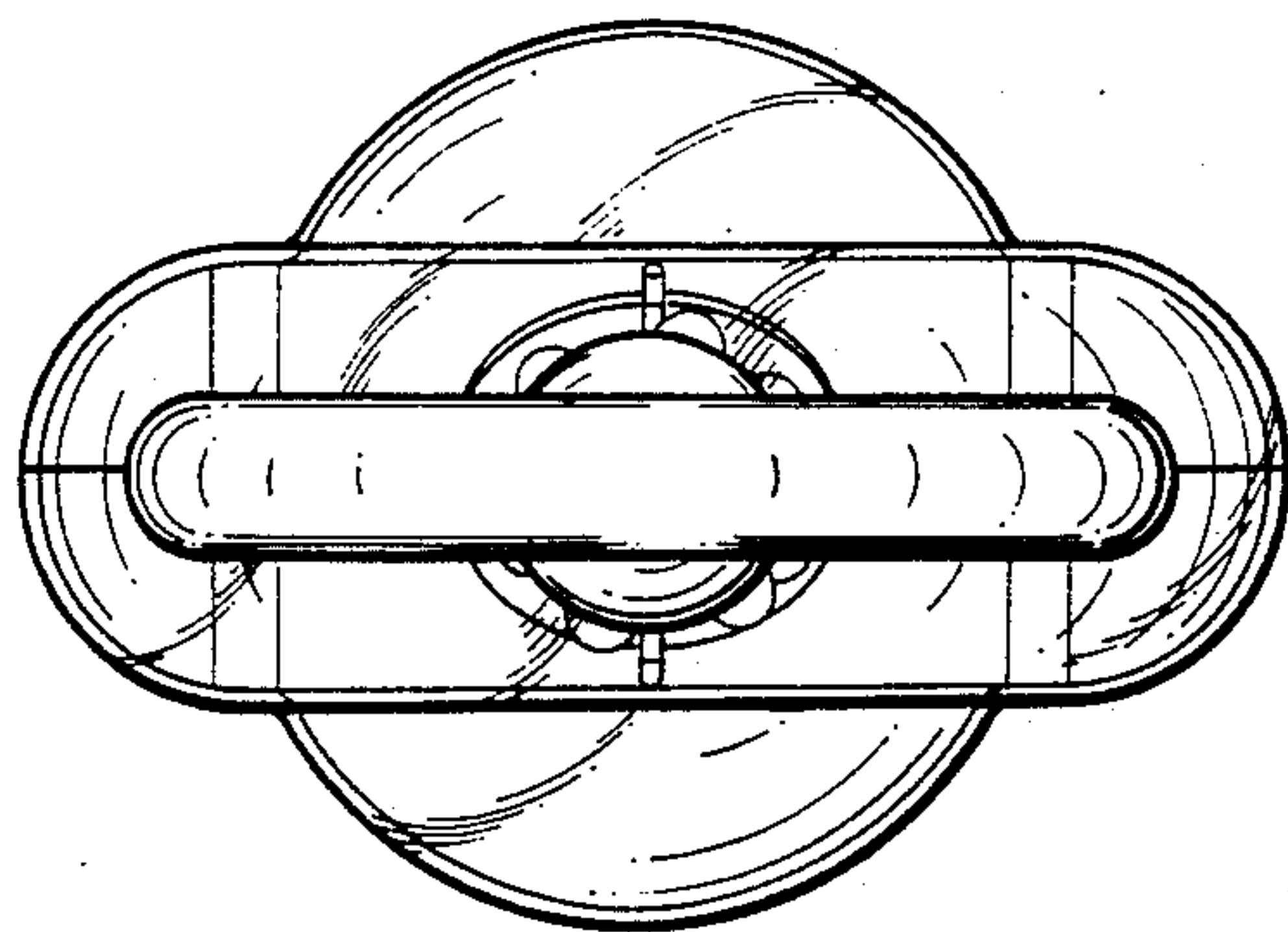
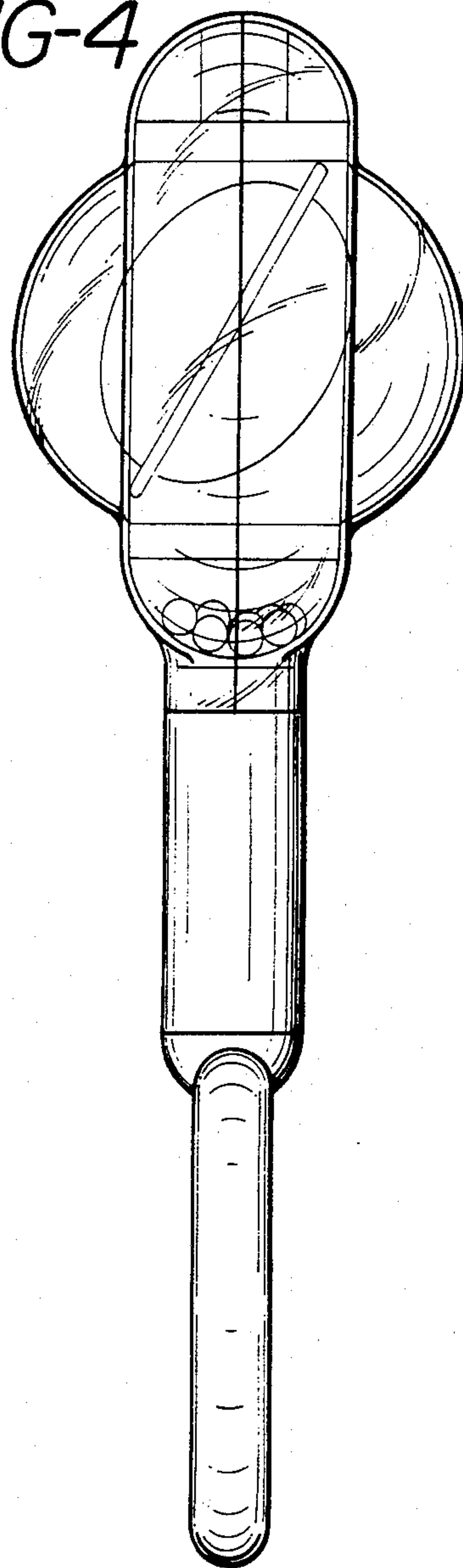


FIG-5