

[54] COMBINED DESK PEN SET, LCD-CLOCK AND PAPERCLIP CONTAINER

[75] Inventor: John S. Yuen, Kowloon, Hong Kong

[73] Assignee: John Manufacturing Limited, Kwung Tongi, Hong Kong

[**] Term: 14 Years

[21] Appl. No.: 539,310

[22] Filed: Oct. 5, 1983

[30] Foreign Application Priority Data

Apr. 13, 1983 [GB] United Kingdom 1012471

[52] U.S. Cl. D19/75; D10/2; D19/77; D19/84

[58] Field of Search D19/75, 77-85, D19/36; 206/371; D10/2, 15

[56] References Cited

U.S. PATENT DOCUMENTS

D. 187,510 3/1960 Picha et al. D19/84

- D. 191,339 9/1961 Hose et al. D19/84
- D. 219,758 1/1971 Fauth D19/84
- D. 223,476 4/1972 Longarzo D19/84
- D. 266,435 10/1982 Laughlin D19/84
- D. 270,623 9/1983 Henkels D19/77
- D. 278,641 4/1985 Henkels D19/84

Primary Examiner—George P. Word
Attorney, Agent, or Firm—Beall Law Offices

[57] CLAIM

The ornamental design for a combined desk pen set, LCD-clock and paperclip container, substantially as shown and described.

DESCRIPTION

FIG. 1 is a top plan view of a combined desk pen set, LCD-clock and paperclip container showing my new design;

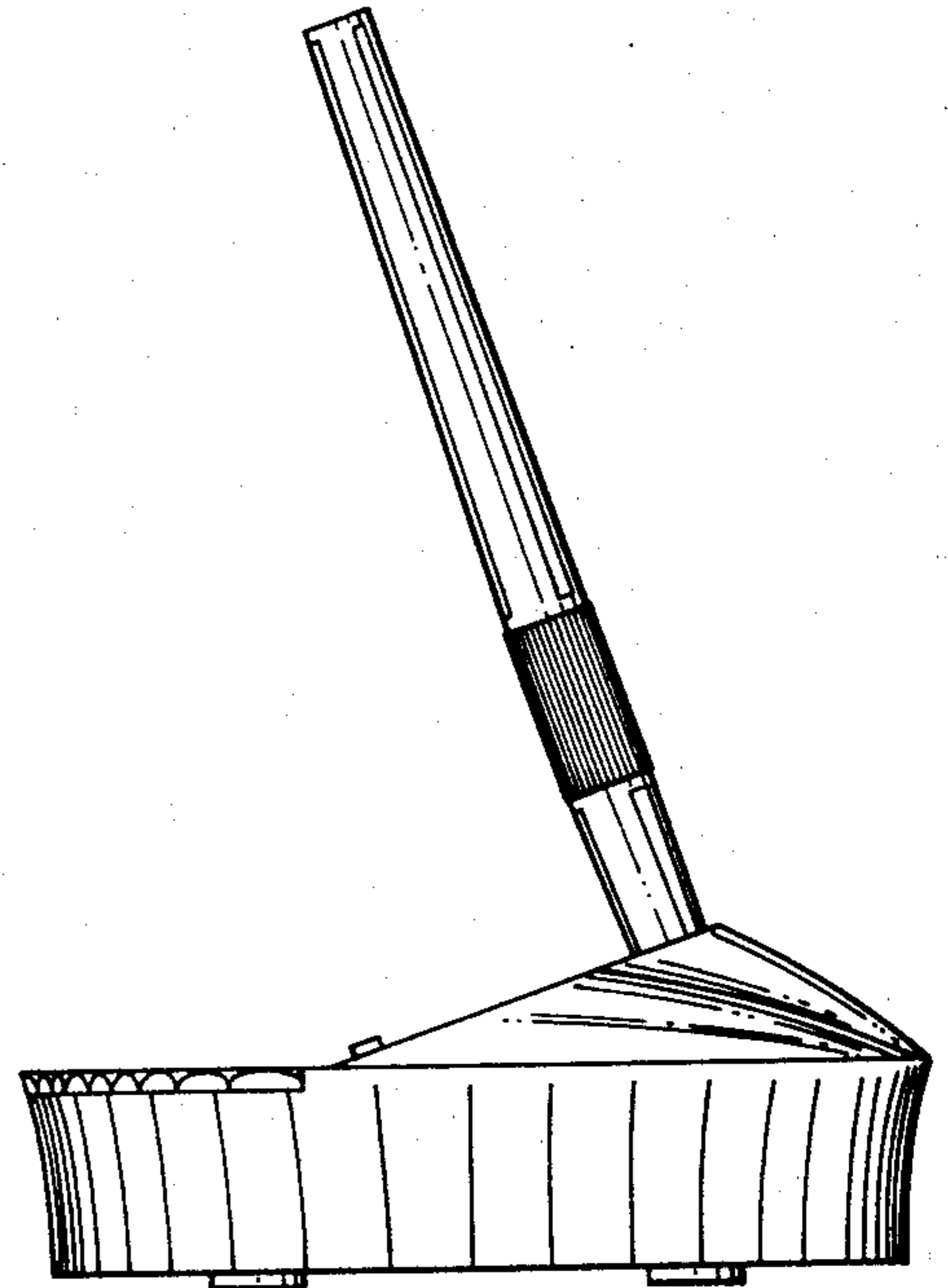
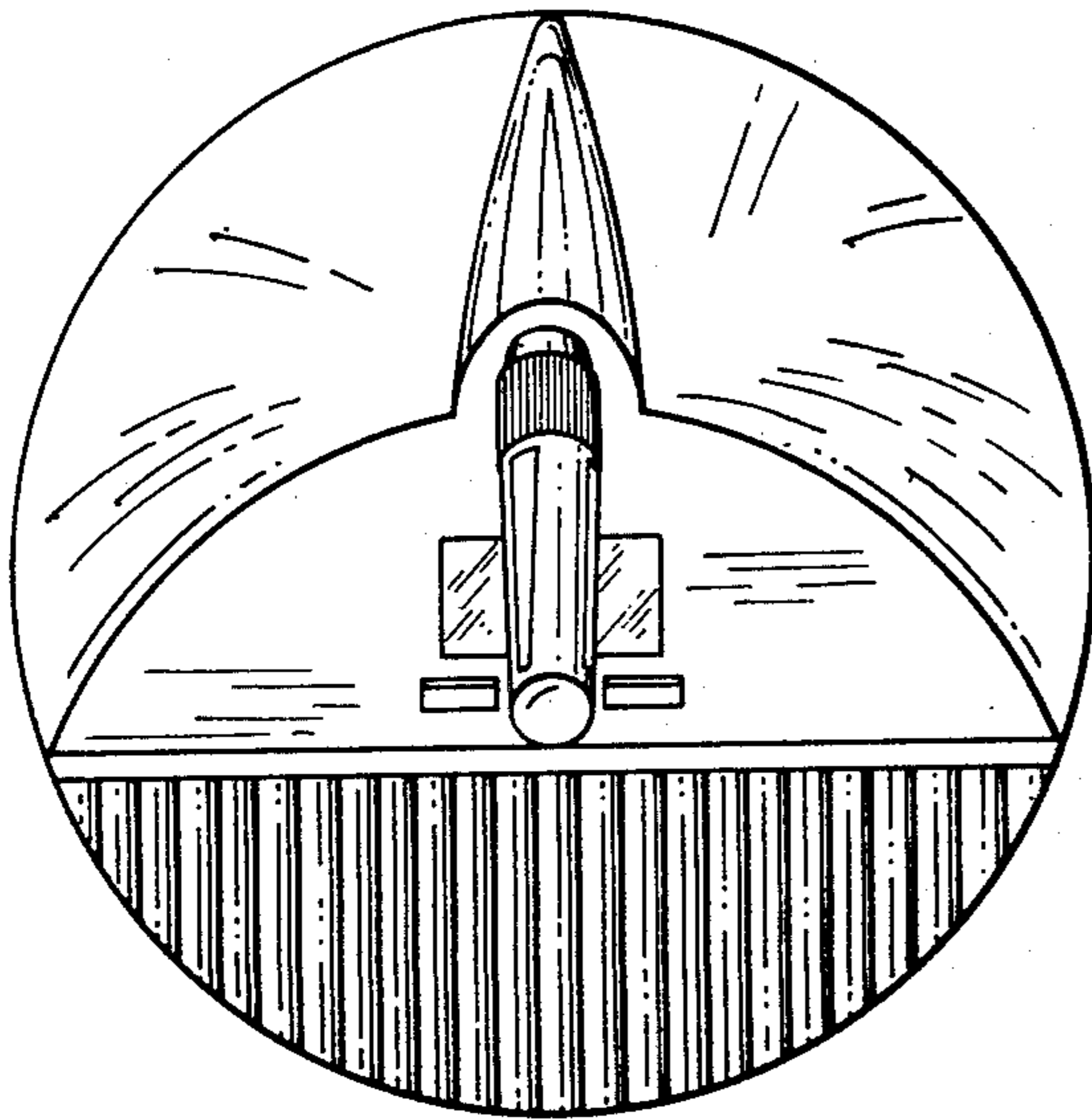
FIG. 2 is a front elevational view thereof;

FIG. 3 is a right side elevational view thereof;

FIG. 4 is a left side elevational view thereof;

FIG. 5 is a bottom plan view thereof; and

FIG. 6 is a rear elevational view thereof.



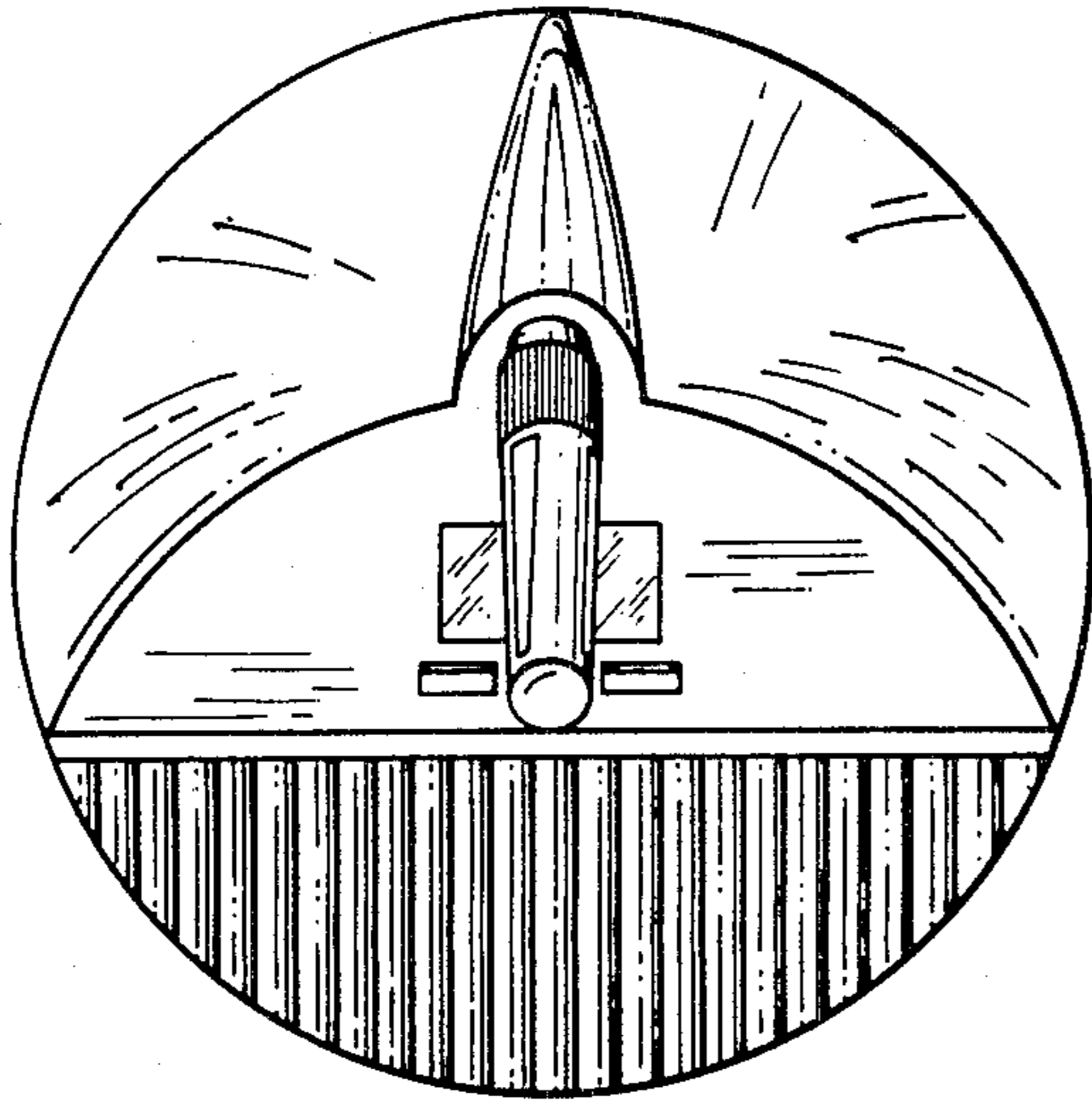


FIG. 1.

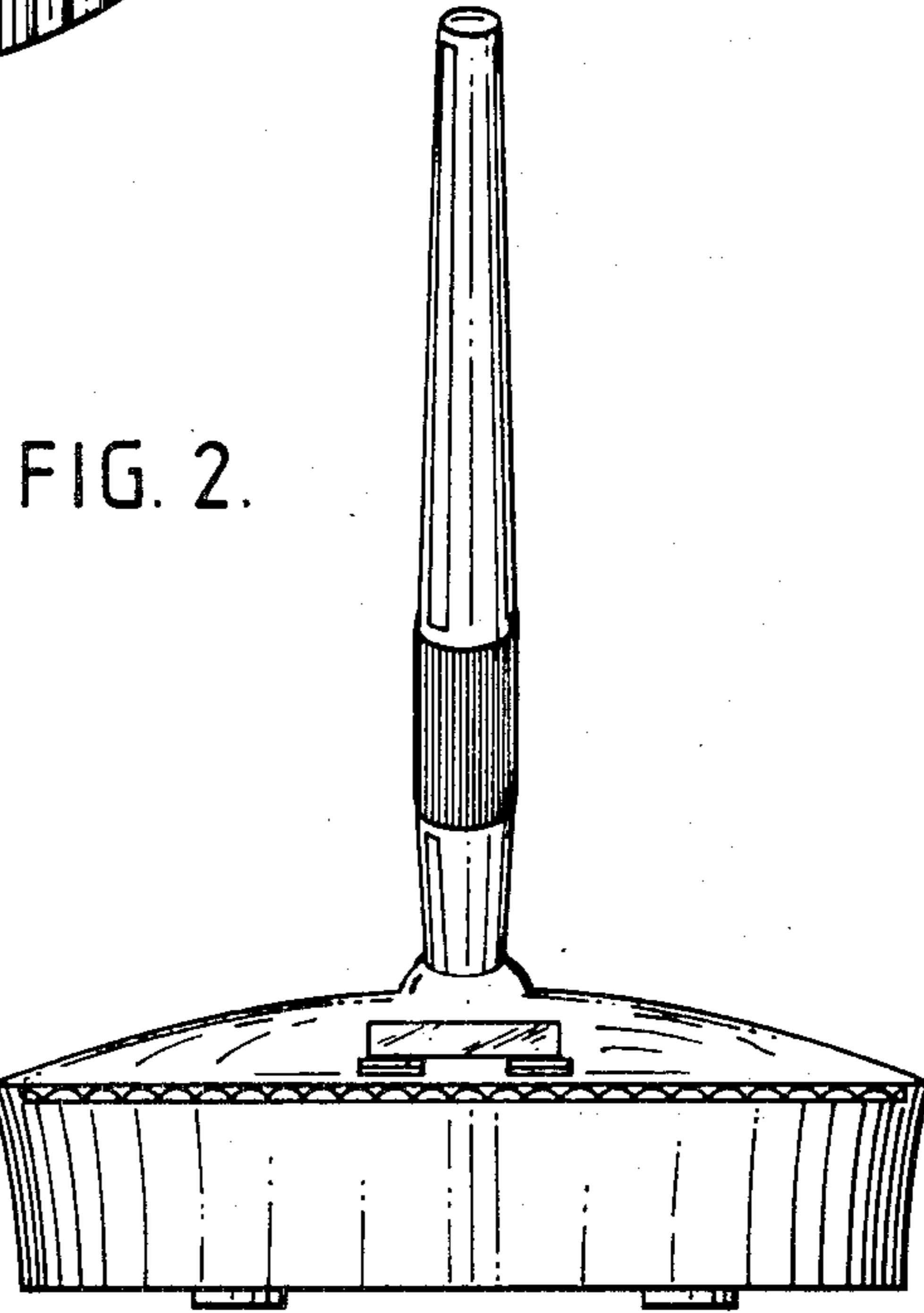


FIG. 2.

FIG. 3.

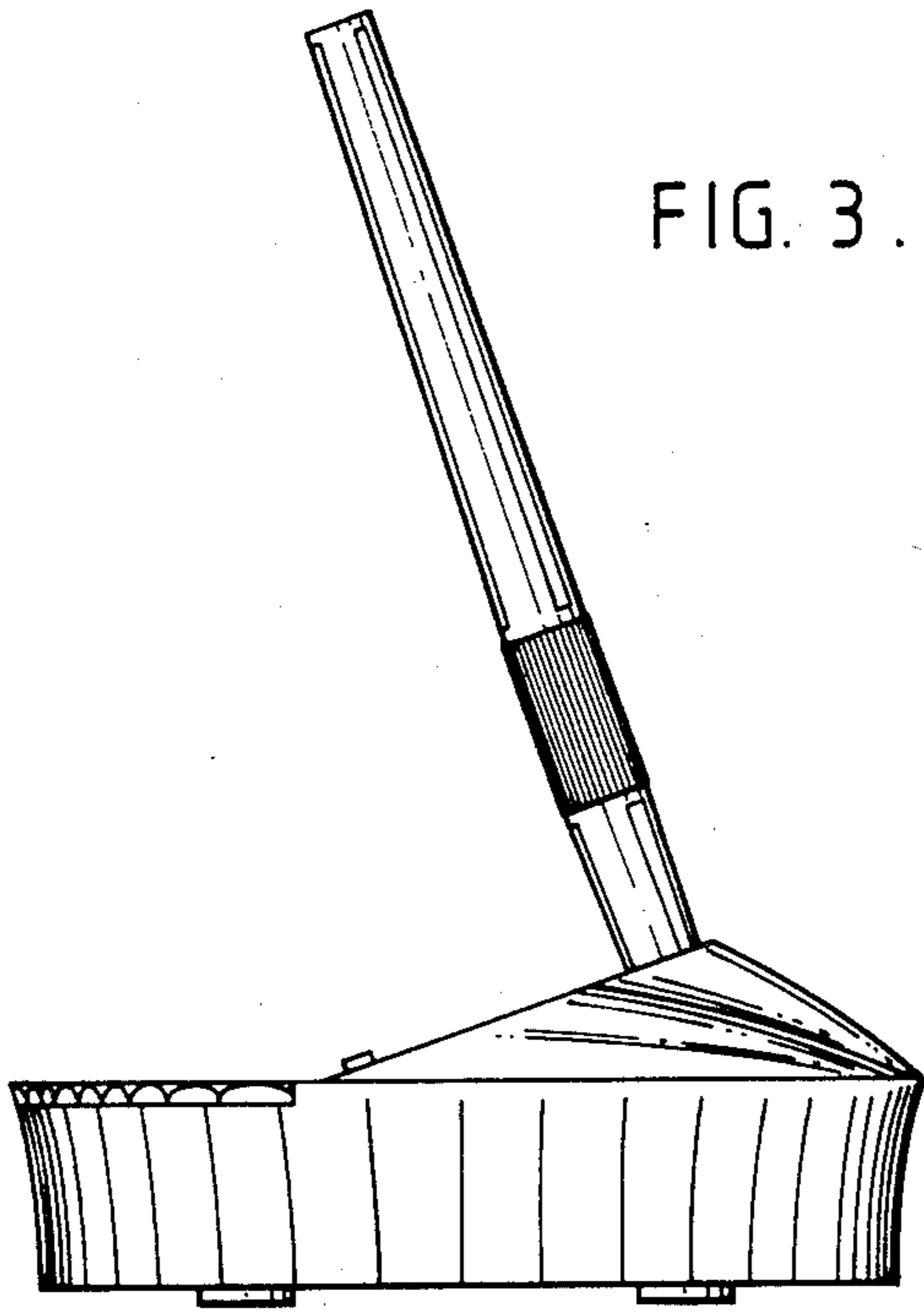
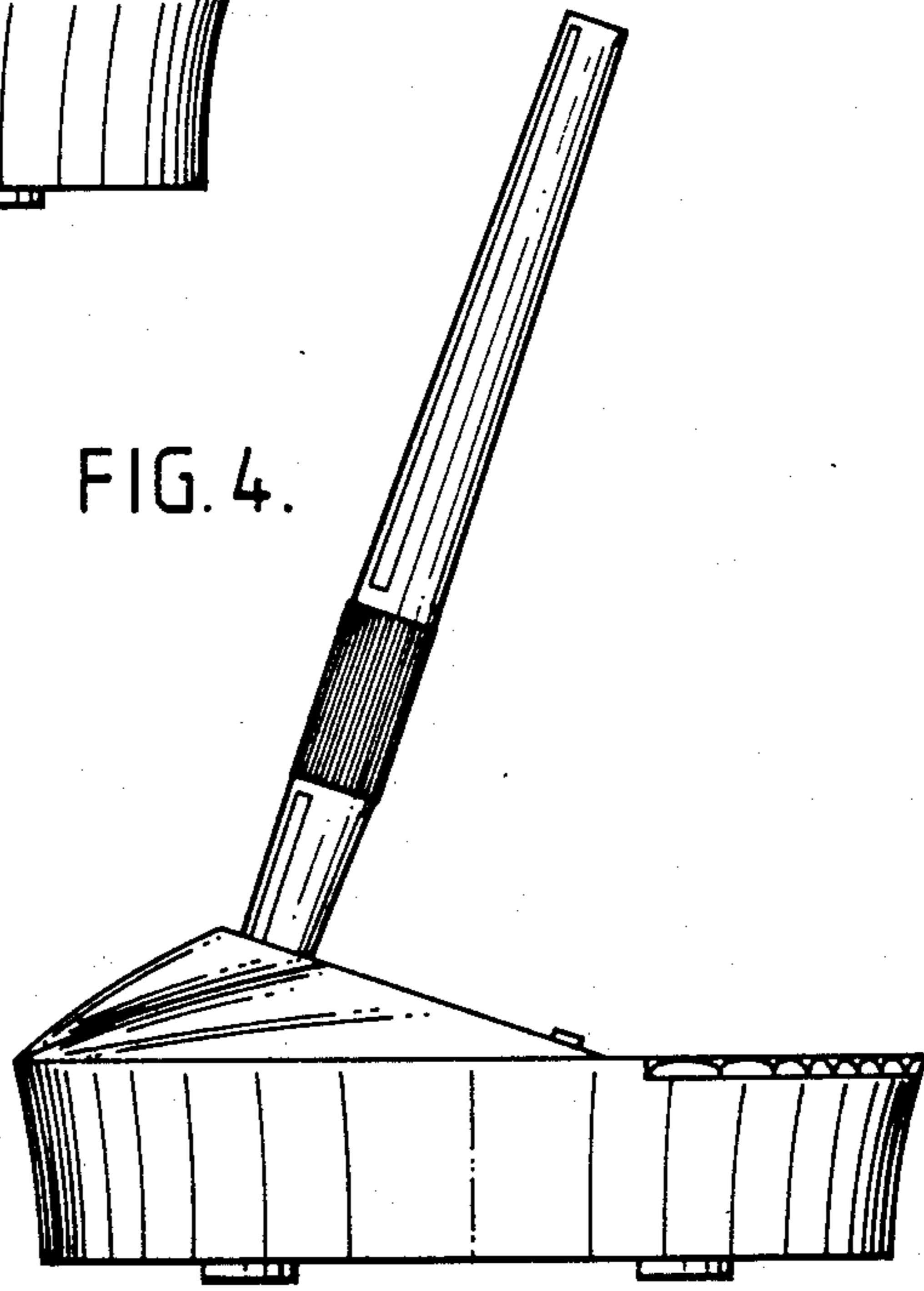


FIG. 4.



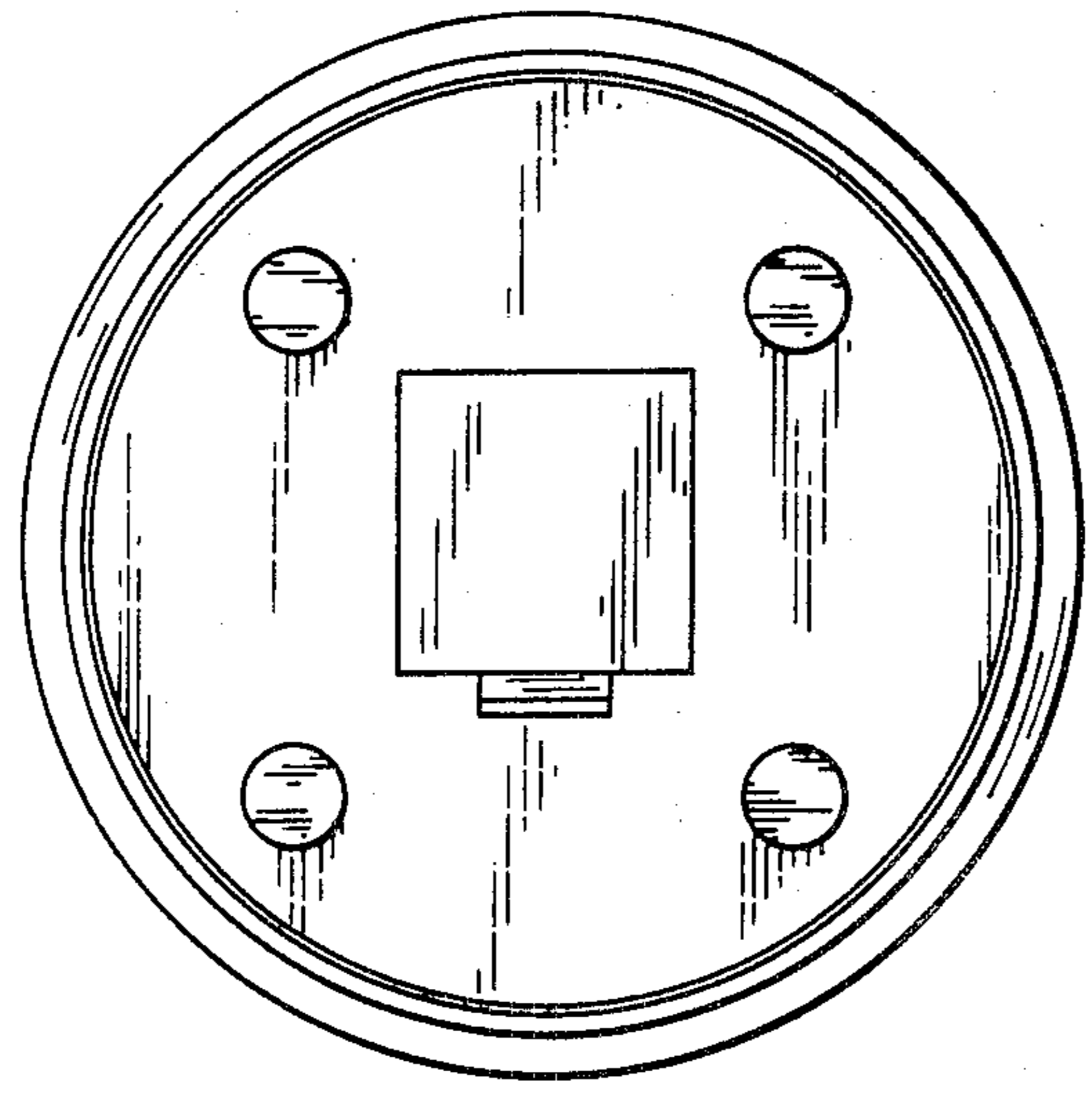


FIG. 5.

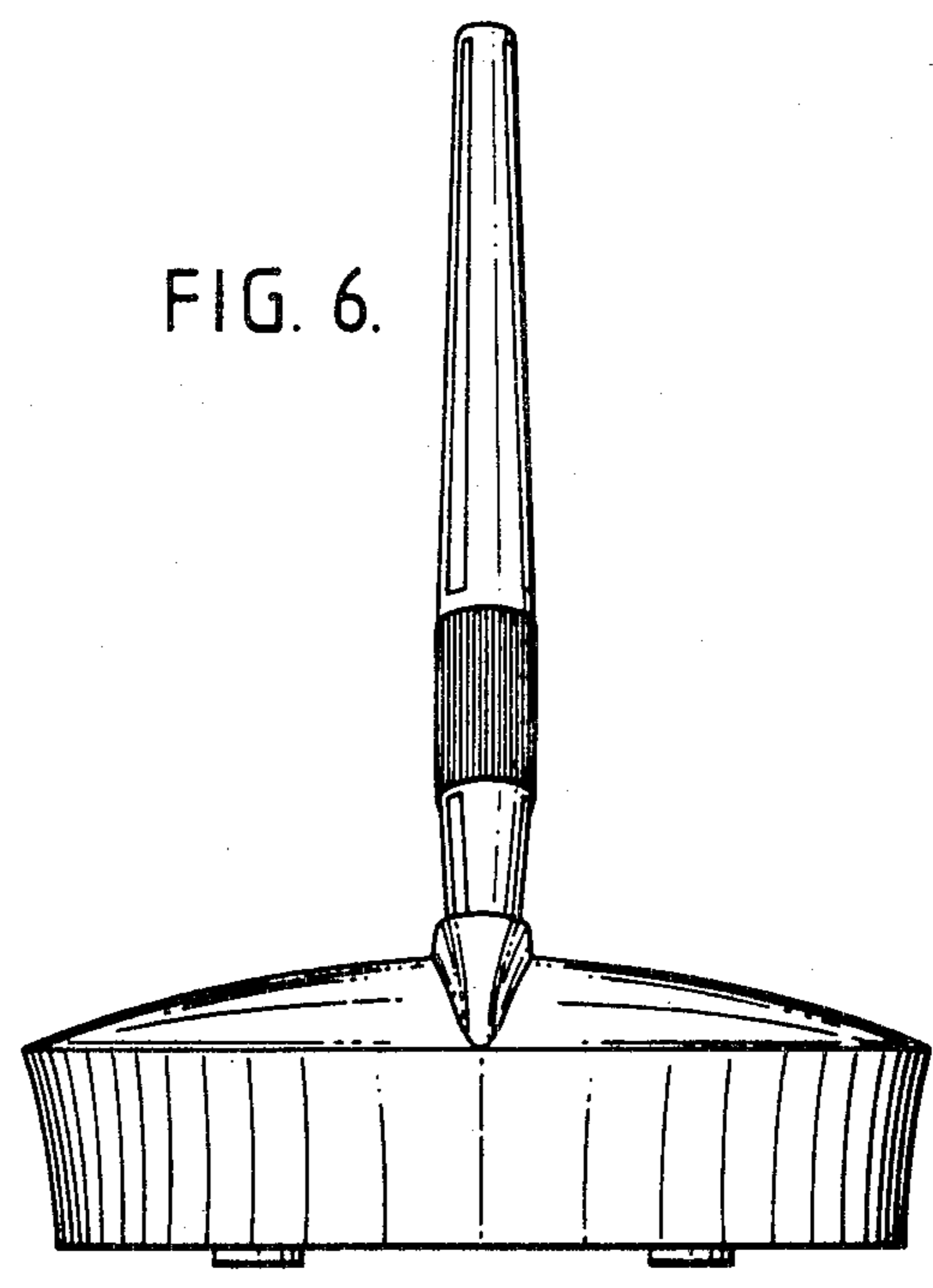


FIG. 6.