

[54] DEVELOPING UNIT FOR COPYING MACHINE

[75] Inventor: Takeshi Saito, Chiba, Japan

[73] Assignee: Ricoh Company, Ltd., Japan

[**] Term: 14 Years

[21] Appl. No.: 648,713

[22] Filed: Sep. 7, 1984

[30] Foreign Application Priority Data

Mar. 7, 1984 [JP] Japan 59-008647

[52] U.S. Cl. D16/32; D16/27

[58] Field of Search D16/27-32;
355/3 R, 3 DR, 3 DD

[56] References Cited

U.S. PATENT DOCUMENTS

D. 164,263	8/1951	Reader	D16/29
D. 272,251	1/1984	Yoshihama	D16/32
D. 276,916	12/1984	Masaki	D16/32
4,218,126	8/1980	Takeichi	355/3 R

4,219,272	8/1980	Brückel	355/3 DR X
4,277,162	7/1981	Kasahara	355/3 R X
4,386,838	6/1983	Hirabayashi	355/3 DR
4,432,632	2/1984	Yokota	355/3 R X
4,478,507	10/1984	Miyoshi	355/3 DR X
4,530,588	7/1985	Kimura	355/3 DR
4,540,268	9/1985	Toyono	355/3 DR X

Primary Examiner—Nelson C. Holtje
Attorney, Agent, or Firm—Guy W. Shoup

[57] CLAIM

The ornamental design for developing unit for copying machine, as shown.

DESCRIPTION

FIG. 1 is a left front perspective view of a developing unit for copying machine showing my new design; FIG. 2 is a front elevational view thereof; FIG. 3 is a top plan view thereof; FIG. 4 is a right side elevational view thereof; FIG. 5 is a left side elevational view thereof; FIG. 6 is a rear elevational view thereof; and, FIG. 7 is a bottom plan view thereof.

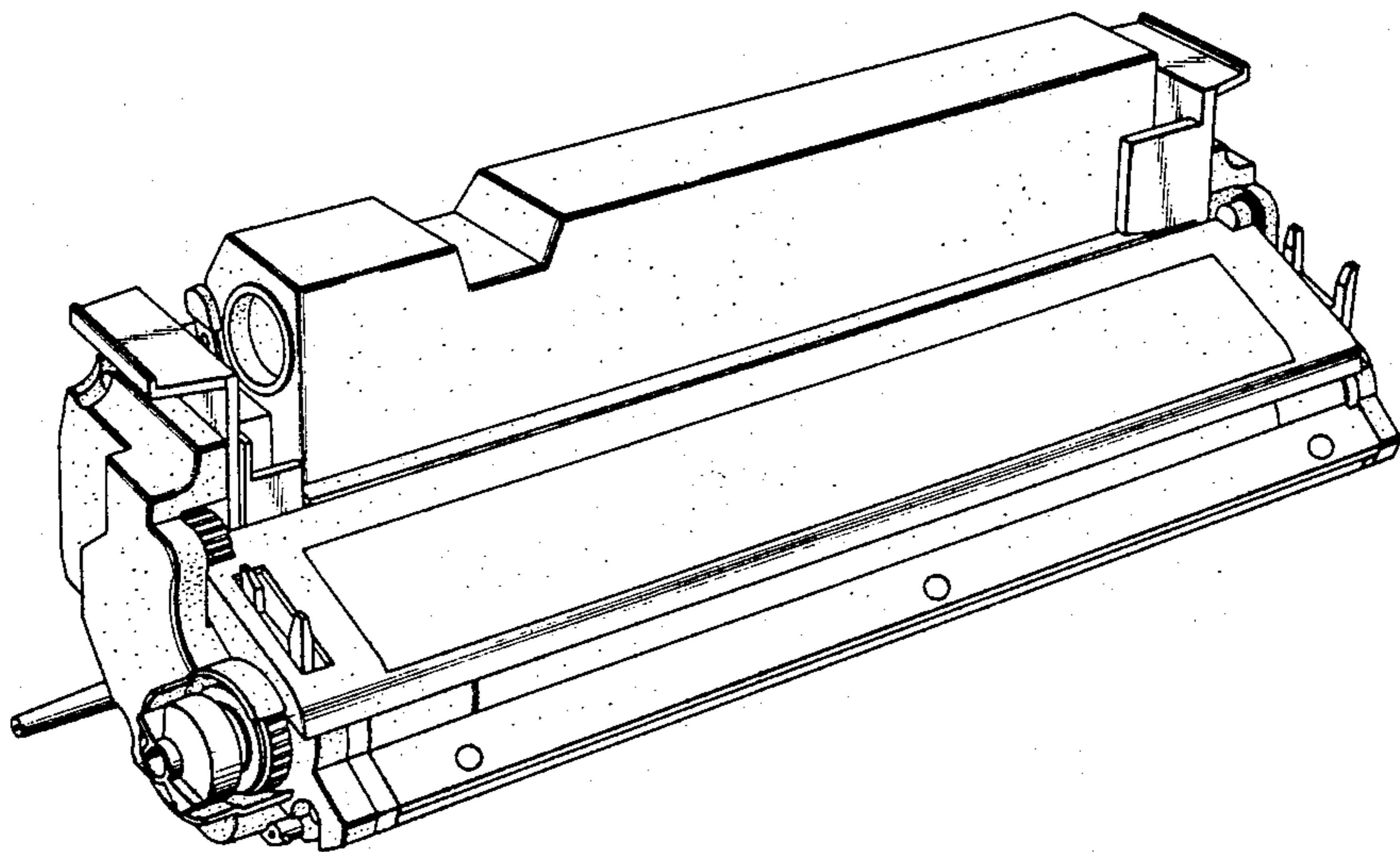


FIG. 1

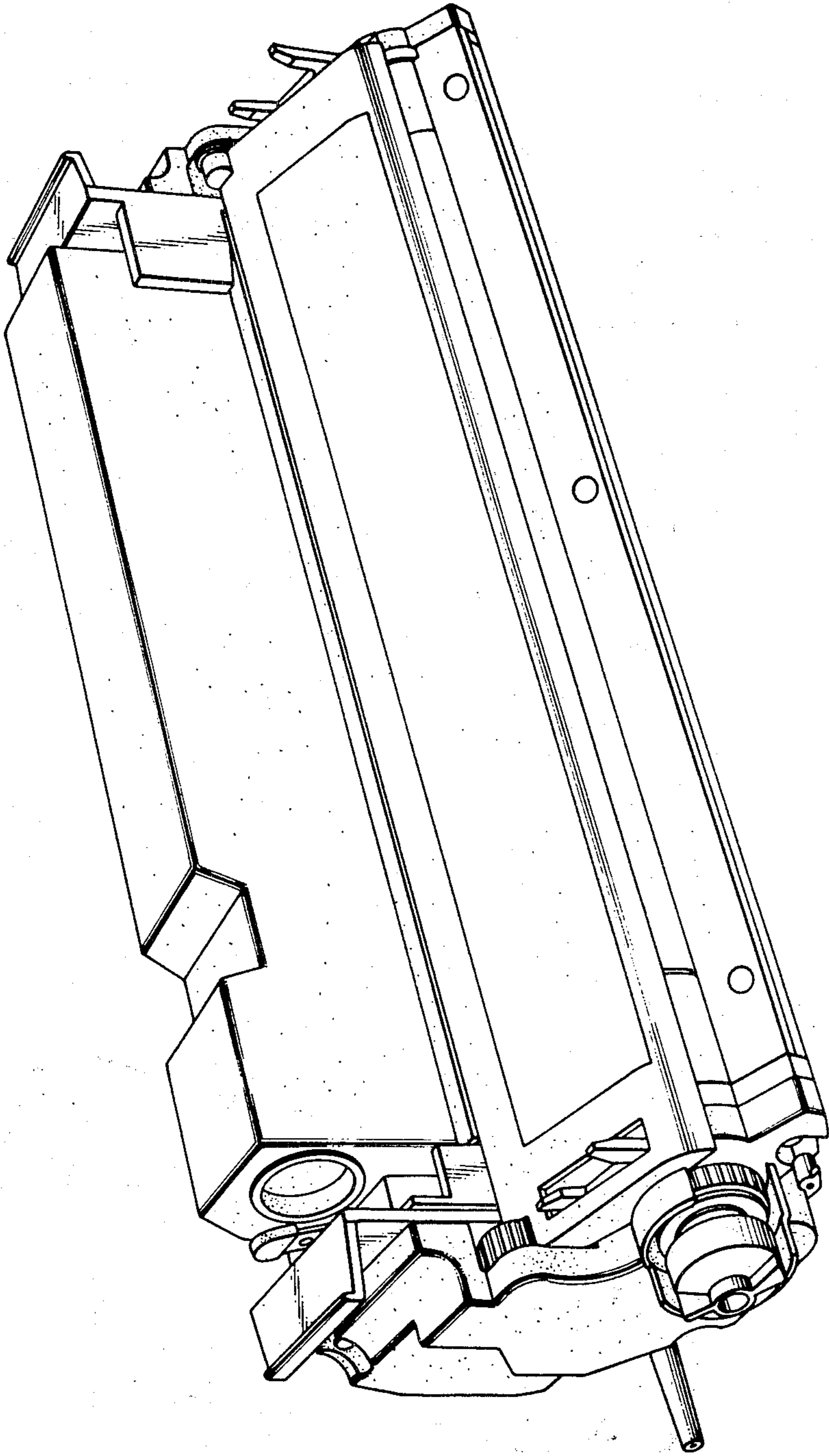


FIG. 2

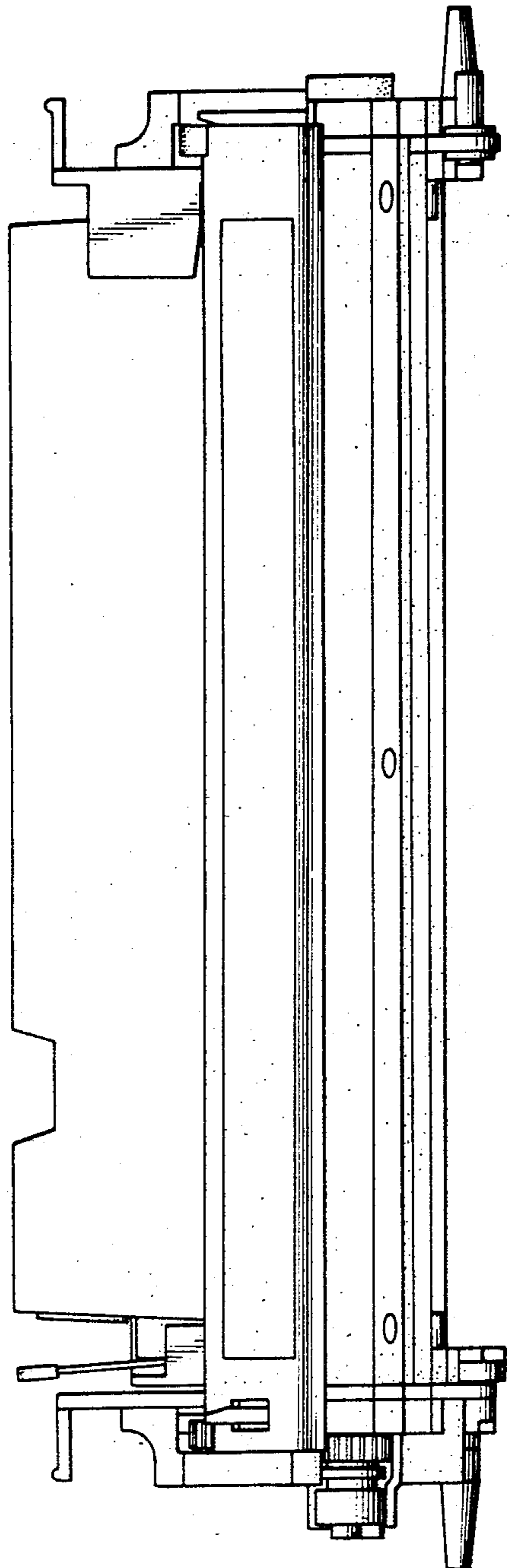


FIG. 3

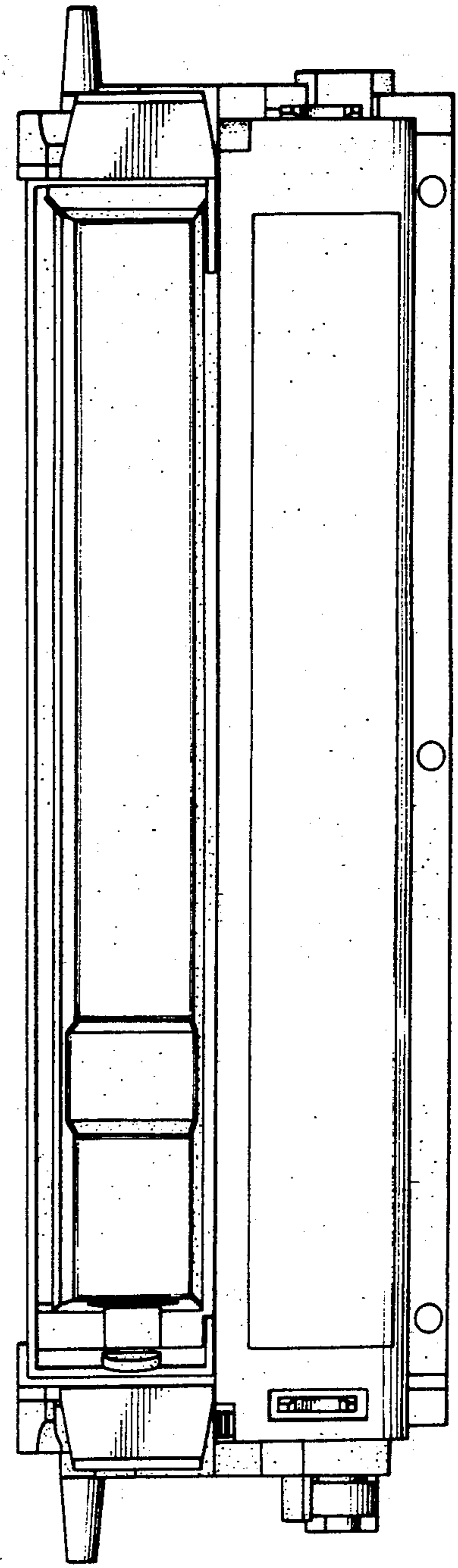


FIG. 4

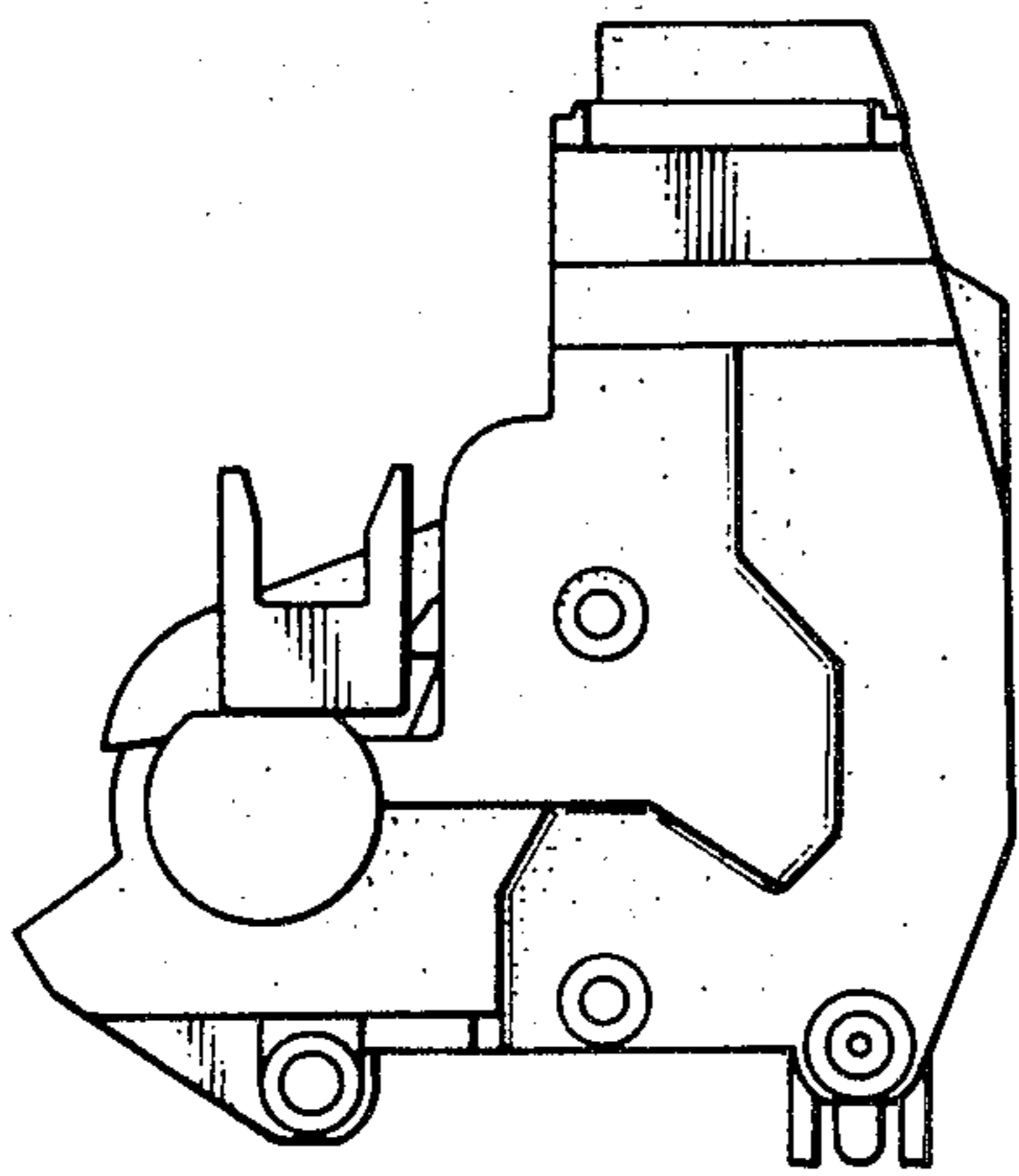


FIG. 5

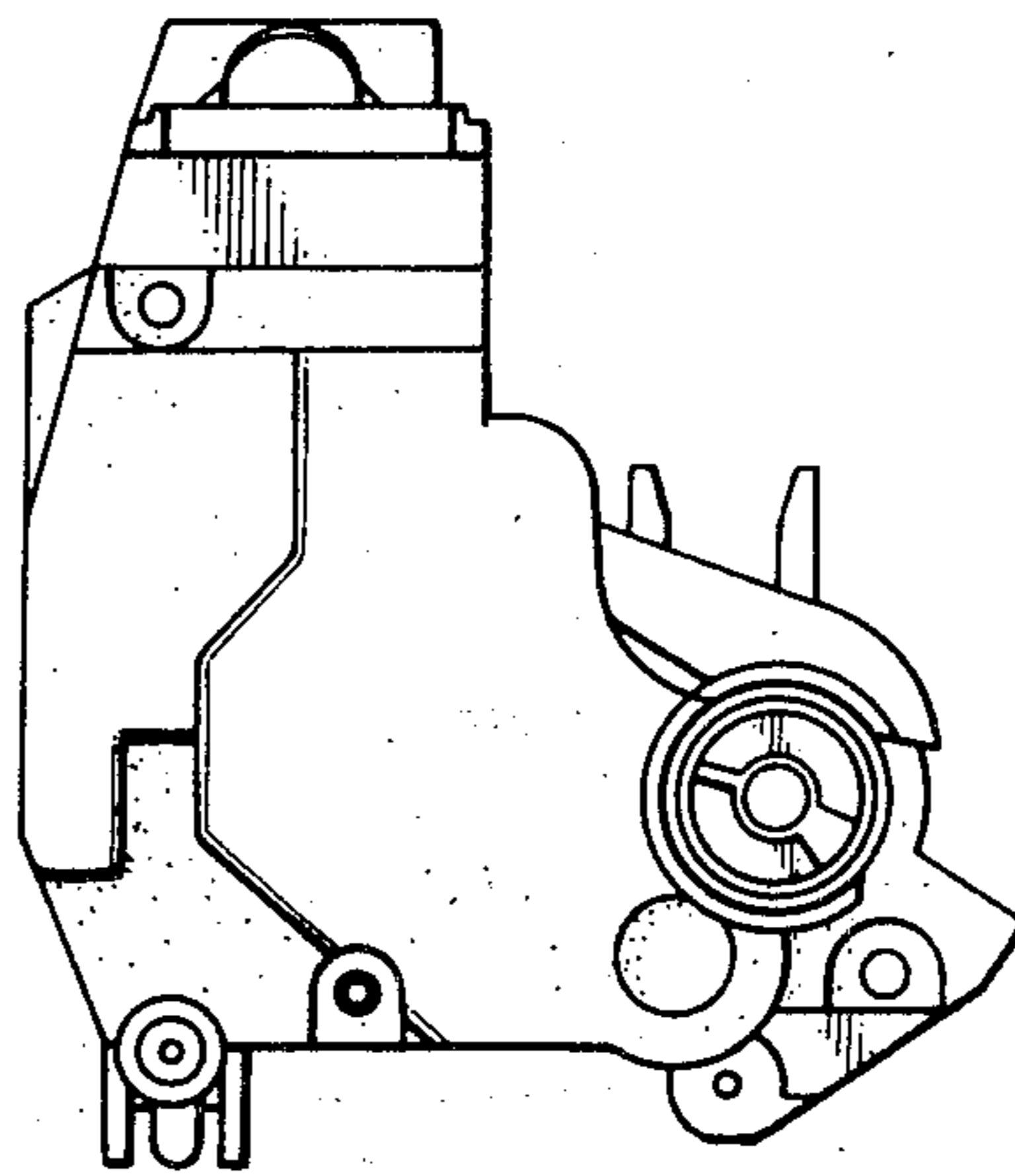


FIG. 6

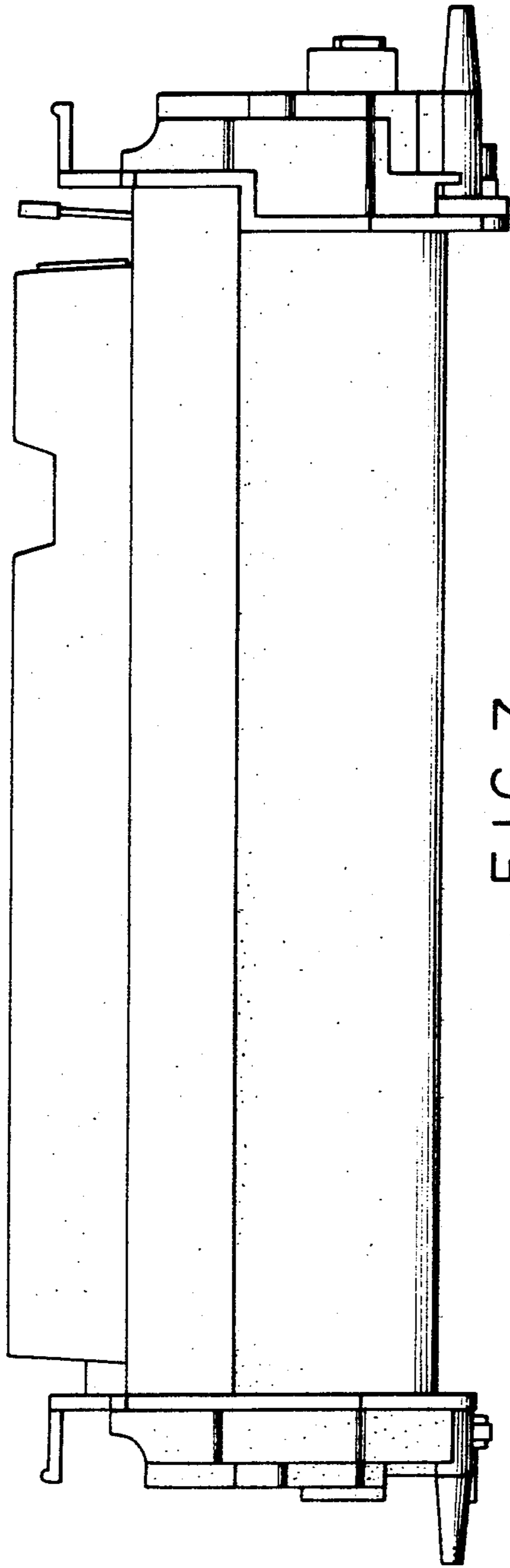


FIG. 7

